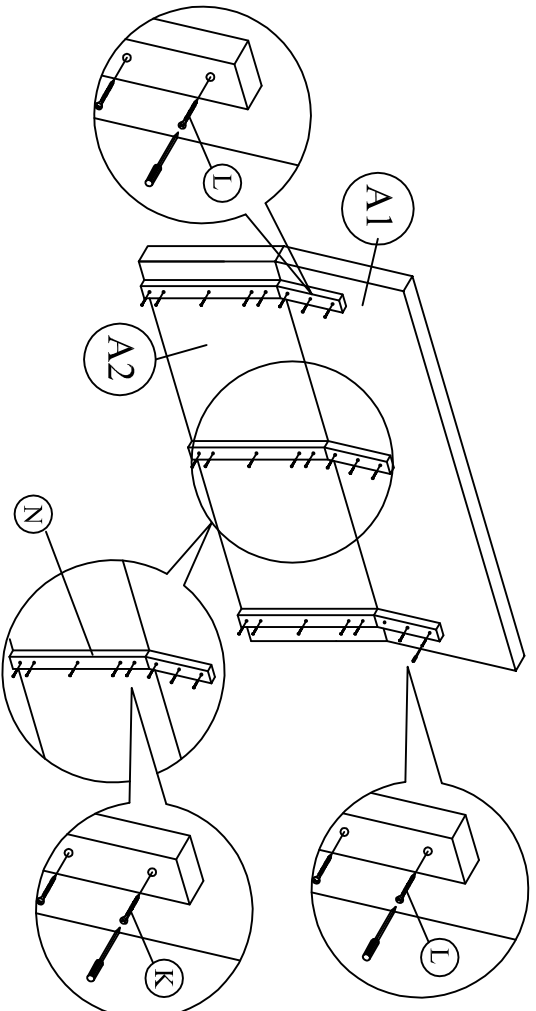


MODEL: SH 6004-B (4'6'')

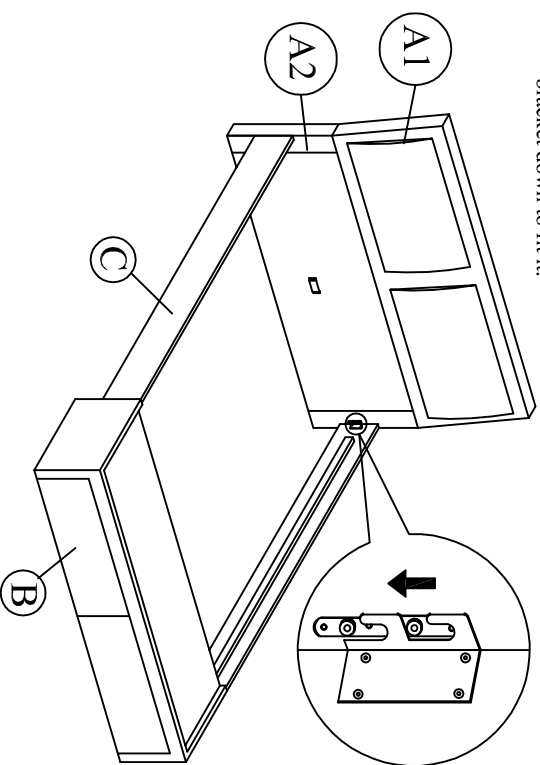
ASSEMBLY INSTRUCTION

A		1 pc
B		1 pc
C		2 pcs
D		1 pc
E		2 pcs
F		2 pcs
G		1 pc
H		1 pc
I		2 pcs
J		27 pcs
K		8 pcs
L		16 pcs
M		1 pc
N		3 pcs

Step 1: Tighten screws (K) to attach the steel to the back of headboard by using screw driver (not included)

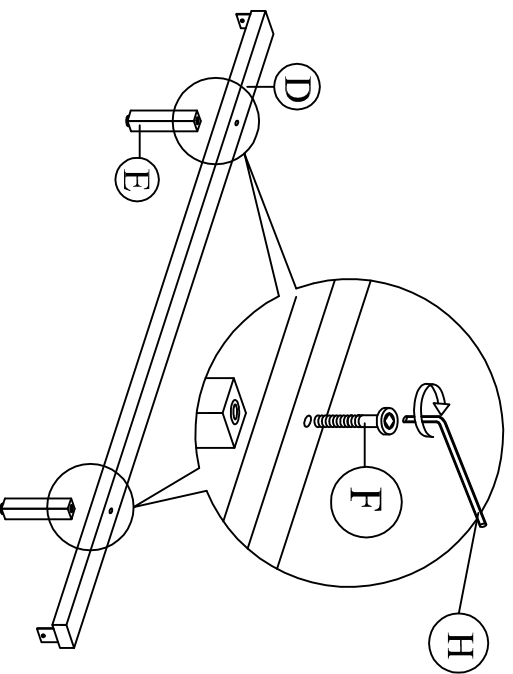


Step 2: Attach side rail (C) to headboard (A) and footboard (B) by pushing the bracket down to fit it.

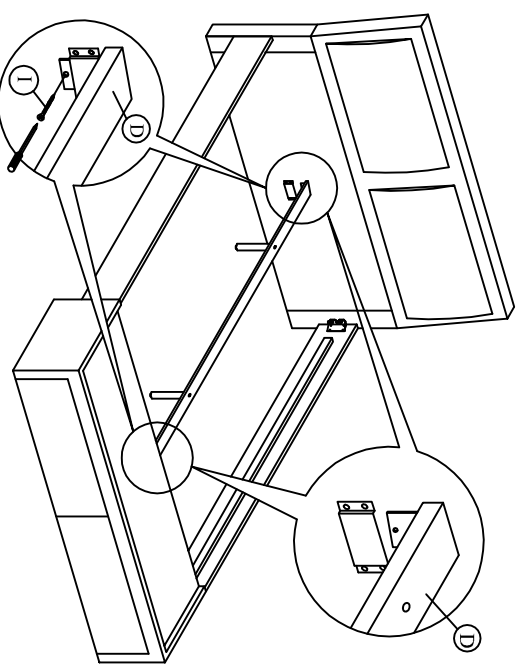


BACK VIEW

Step 3: Attach the support legs (E) to the center rail (D) of the bed as shown.



Step 4: Slide the center rail (D) to the headboard (A) and footboard (B). Tighten screws (I) using screw driver (not included) to the headboard (A) and footboard (B).



Step 5: Affix the Slat (M) to the center rail (D). Tighten all the 4 corner .

