


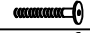

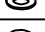
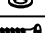

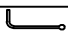


Read this instruction carefully. See hardware and furniture part list for guidance. Be sure all parts are complete, before you assemble. Place all wooden furniture parts on a clean and flat soft surface to prevent from being scratched. Follow the figure to start assembling.

CAUTIONS : 1. Do not FULLY - TIGHTEN the nut or nut bolt until all nut or bolt is ready assembled.
 2. Do not OVER - TIGHTEN the nut or bolt to avoid causing damages to the thread.
 3. Keep all hardware parts out of reach of children.

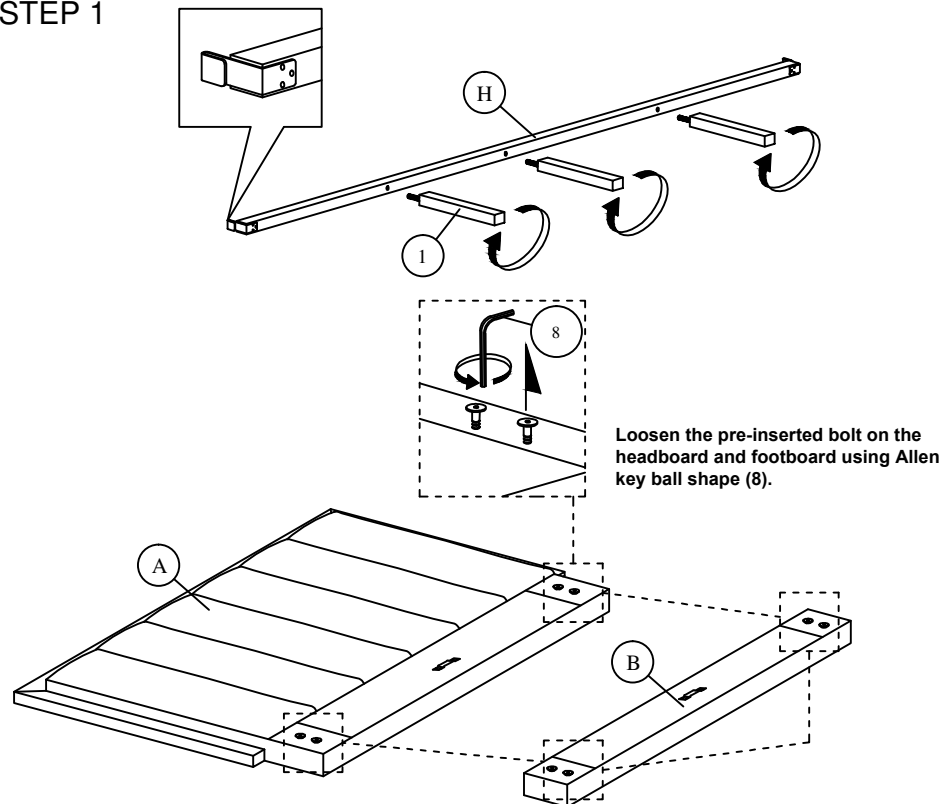
NOTE : THE LIST AND QUANTITY SHOWN ARE FOR 1 UNIT ASSEMBLY

Tool needed : Screwdriver & Rubber mallet (not provider).

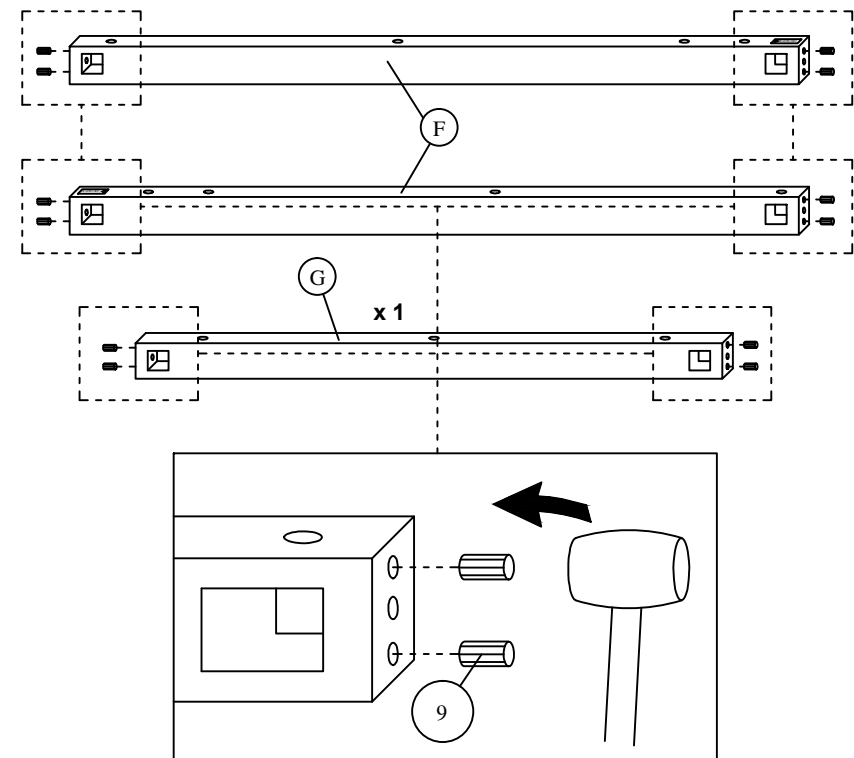
PART LIST		
ITEM	DESCRIPTION	QTY
A	HEADBOARD	1 PC
B	FOOTBOARD	1 PC
C	SIDE RAIL	2 PCS
D	BED SLAT	1 SETS
E	BED LEG	4 PCS
F	SIDE RAIL SUPPORT WOOD	2 PCS
G	FOOTBOARD SUPPORT WOOD	1 PC
H	CENTER RAIL	1 PC
I	CENTER RAIL LEG	3PCS

HARDWARE LIST		
ITEM	DESCRIPTION	QTY
1	JCBC BOLT M6 x 60mm 	9 PCS
2	JCBB BOLT M8 x 50mm 	6 PCS
3	JCBB BOLT M8 x 60mm 	2 PCS
4	M8 FLAT WASHER 	2 PCS
5	M8 SPRING WASHER 	8 PCS
6	WOOD SCREW M4 x 38mm 	9 PCS
7	M4 ALLEN KEY (BALL SHAPE) 	1 PC
8	M5 ALLEN KEY (BALL SHAPE) 	1 PC
9	WOOD DOWEL M8 x 30mm 	16 PCS

STEP 1

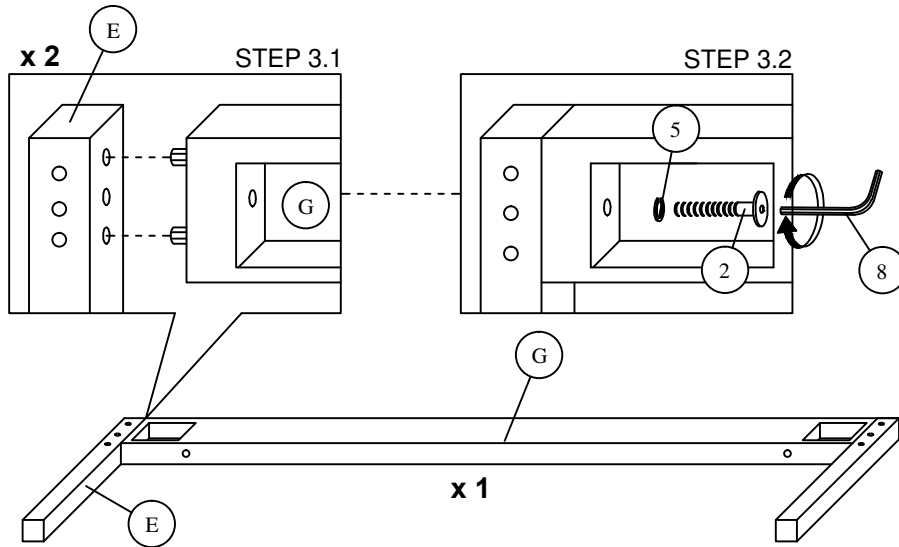


STEP 2



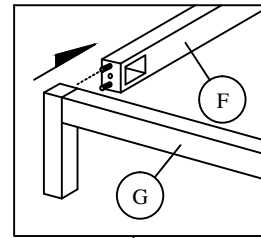
ASSEMBLY INSTRUCTIONS

STEP 3

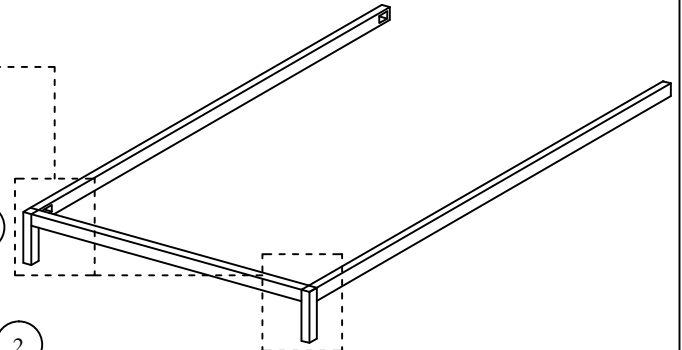
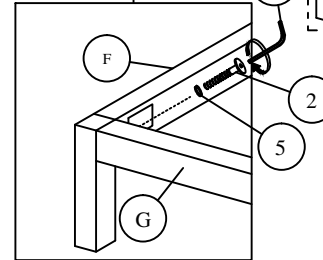


STEP 4

STEP 4.1

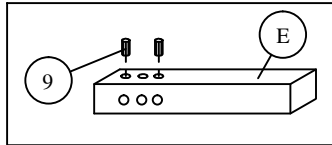


STEP 4.2

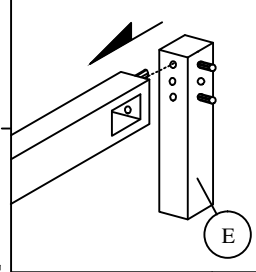


STEP 5

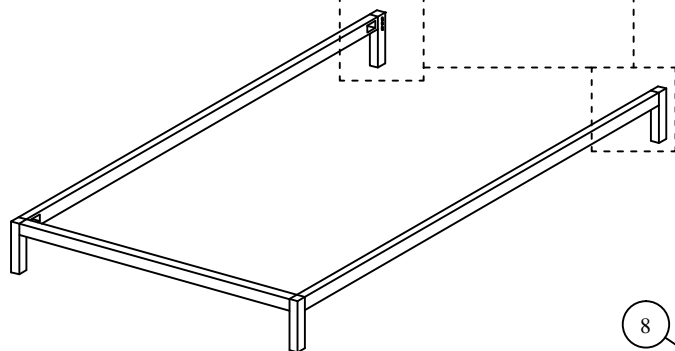
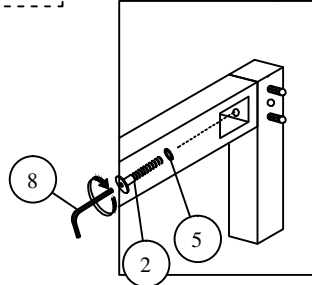
STEP 5.1



STEP 5.2

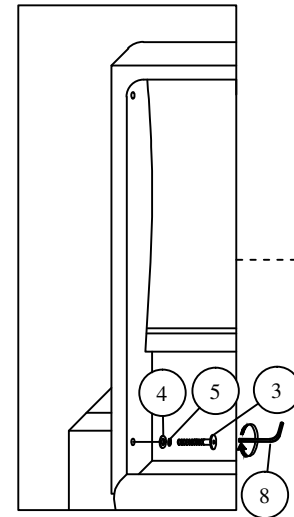


STEP 5.3



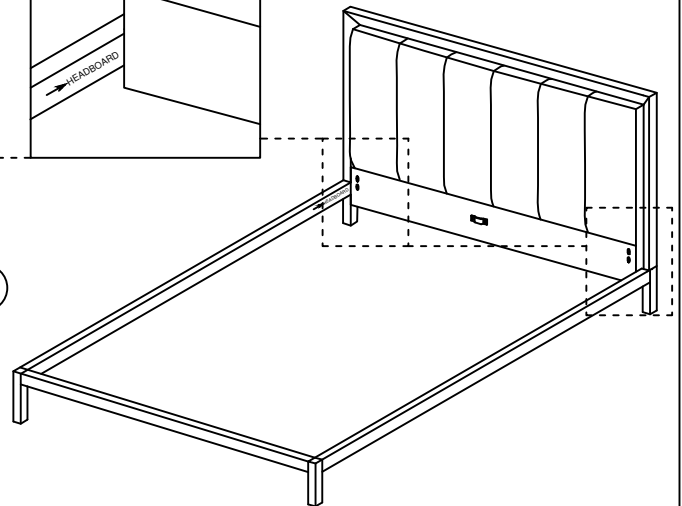
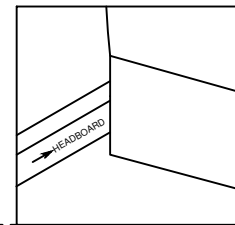
STEP 6

STEP 6.2



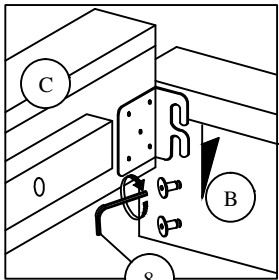
Note: Make sure the sticker "**-> HEADBOARD**" faced to headboard [A]

STEP 6.1

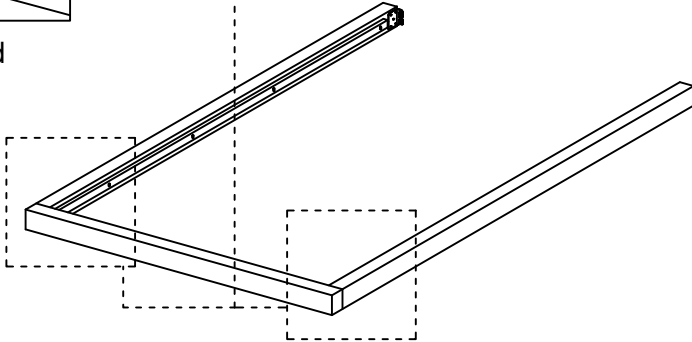


ASSEMBLY INSTRUCTIONS

STEP 7

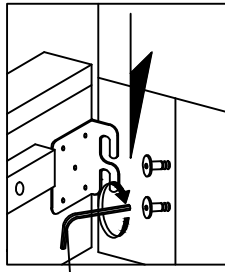


Don't screw tied

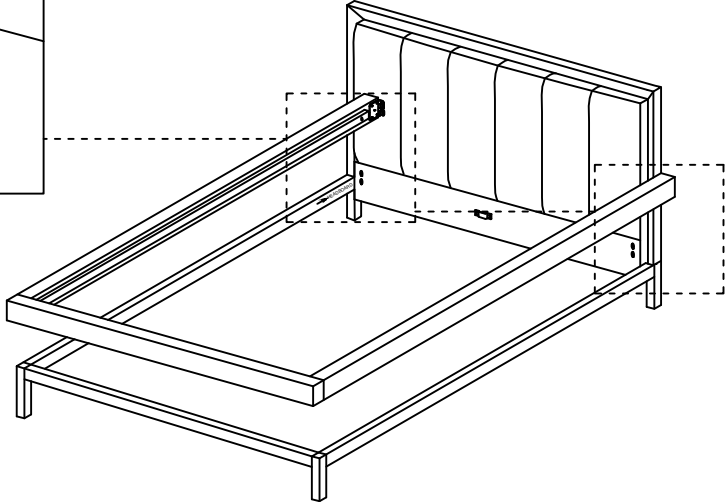


STEP 8

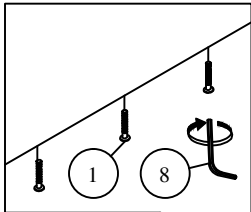
Don't screw tied



8

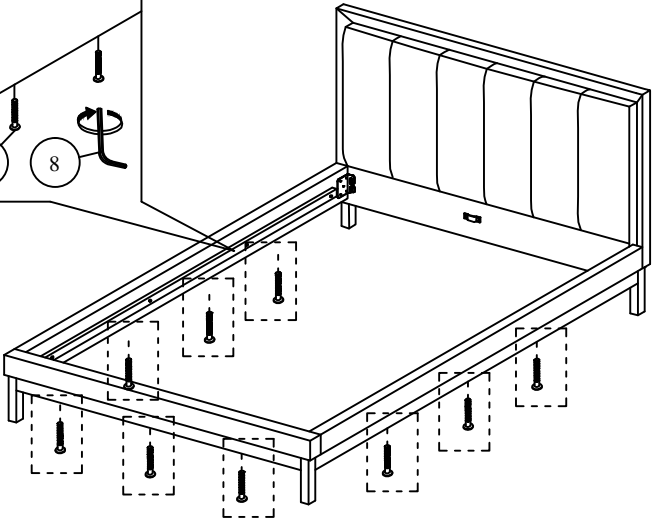


STEP 9



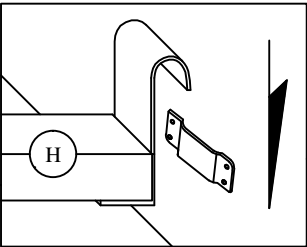
1

8

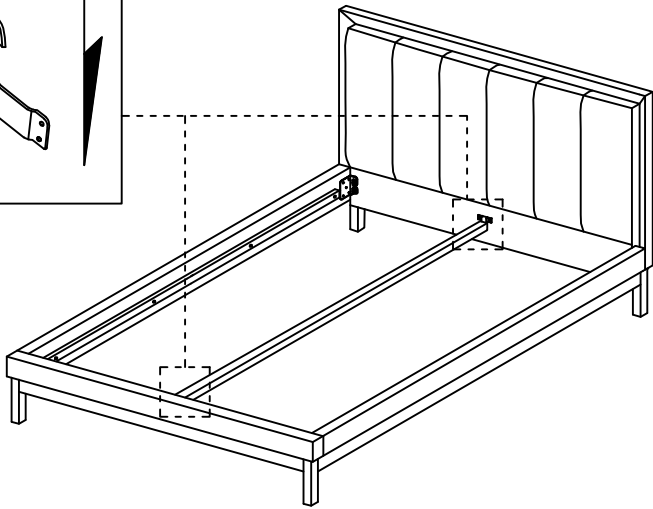


**Finish step 9,
Please screw tied the step 7 & 8 bolt.

STEP 10

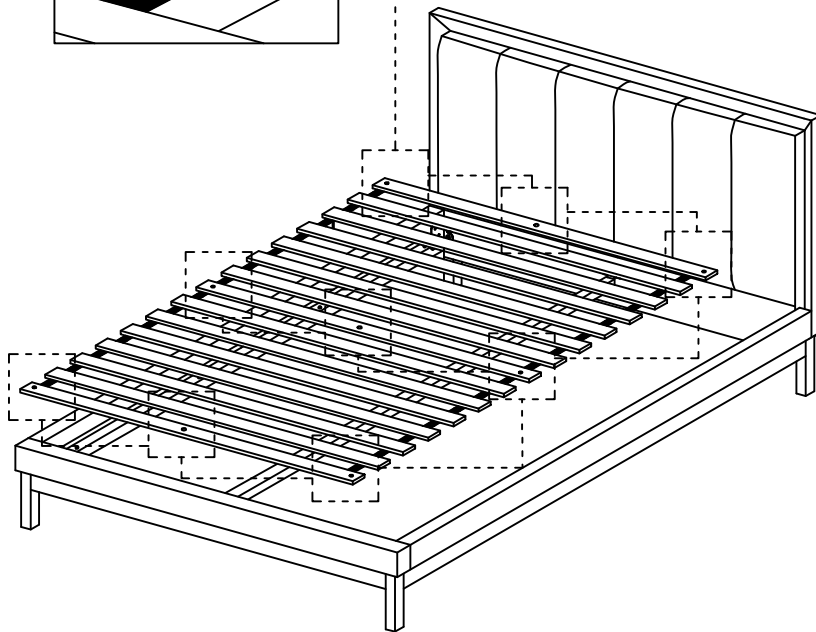
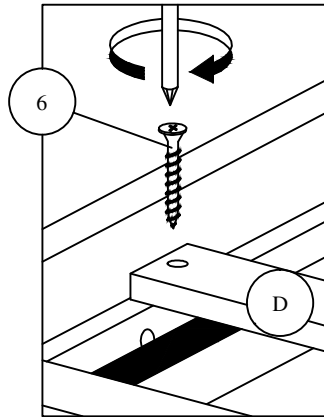


H

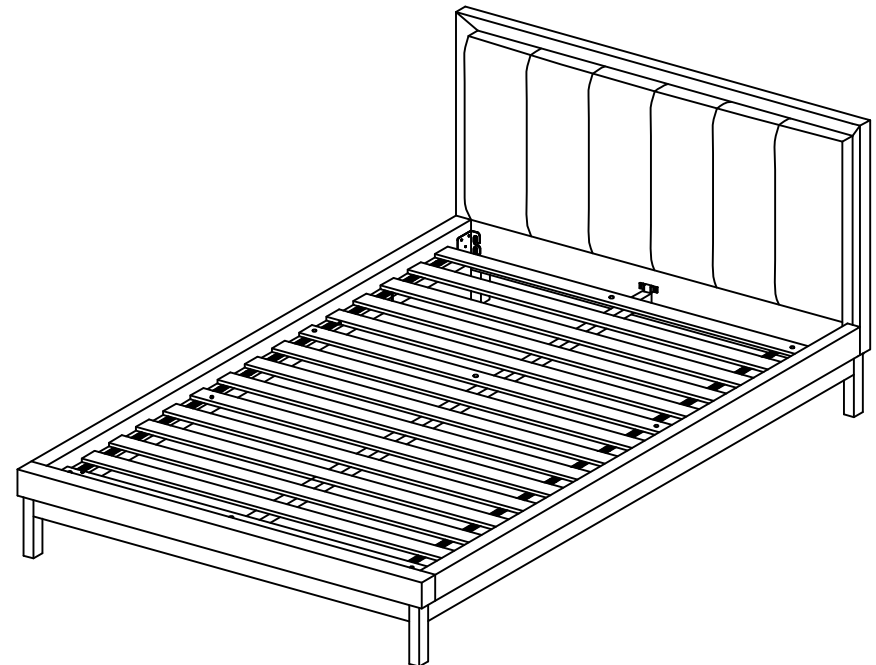


ASSEMBLY INSTRUCTIONS

STEP 11



STEP 12



* When moving the bed position, the center support legs must be adjust to be straight to avoid any broken problem.