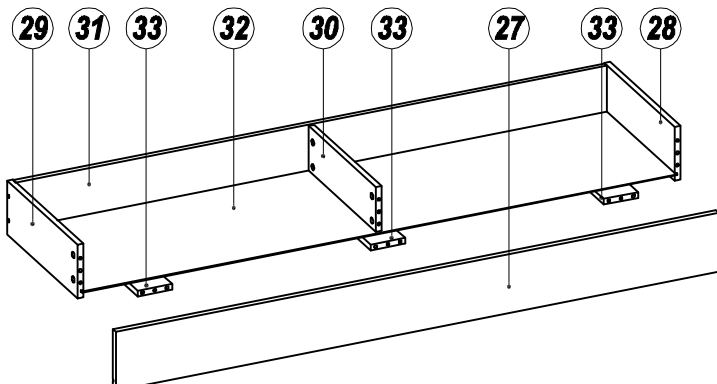
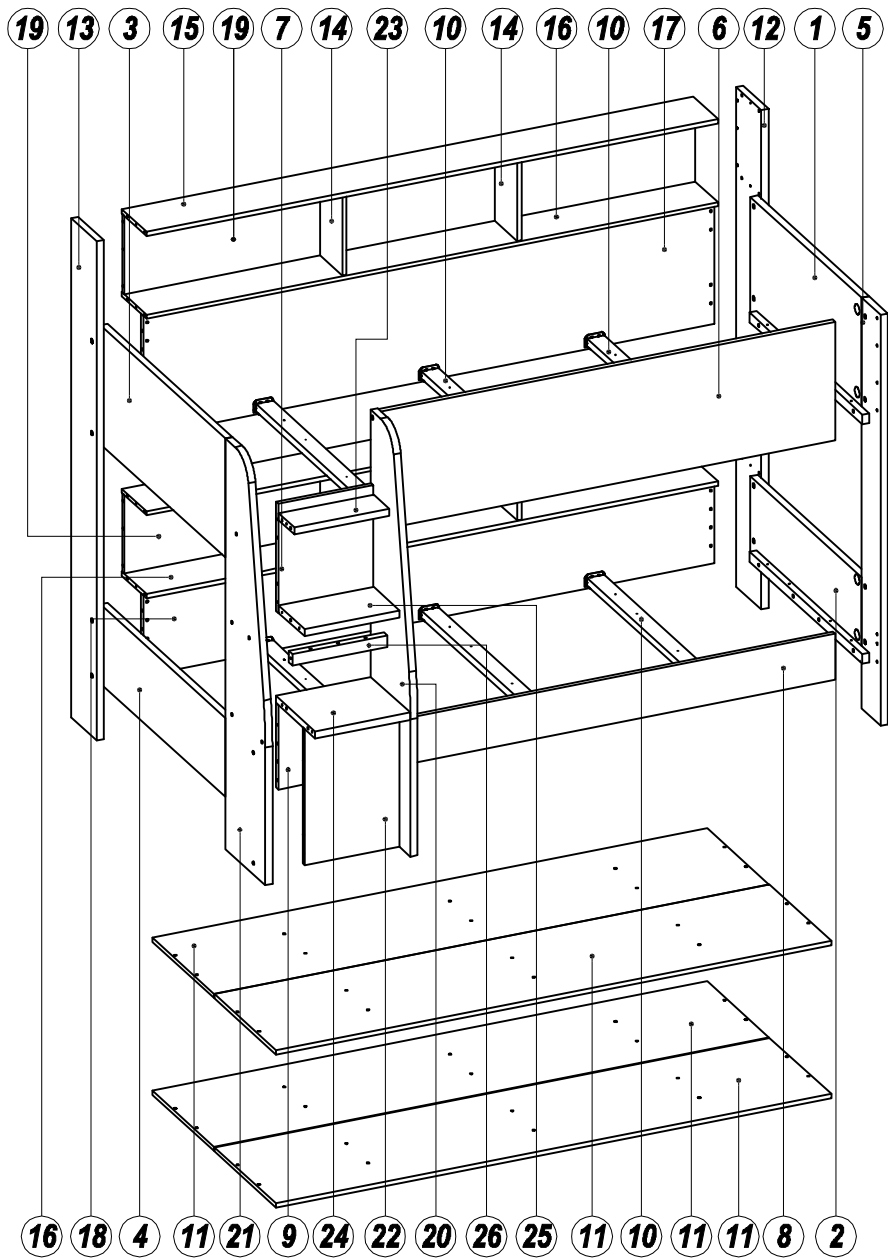
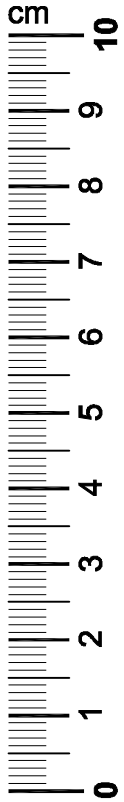
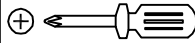
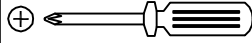
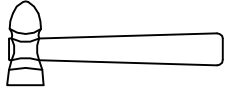
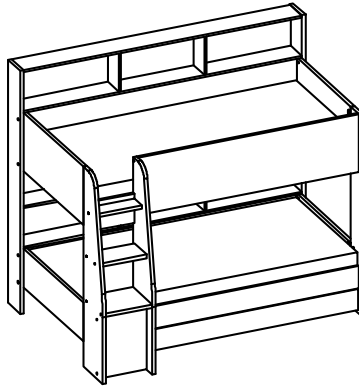
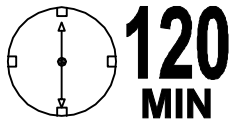
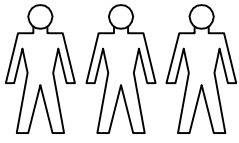
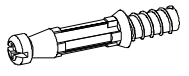






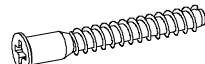
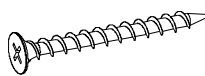
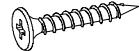

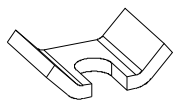
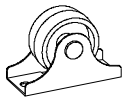
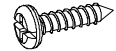
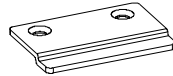
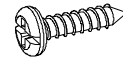
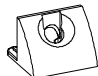
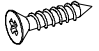





# BIBLOS LVF



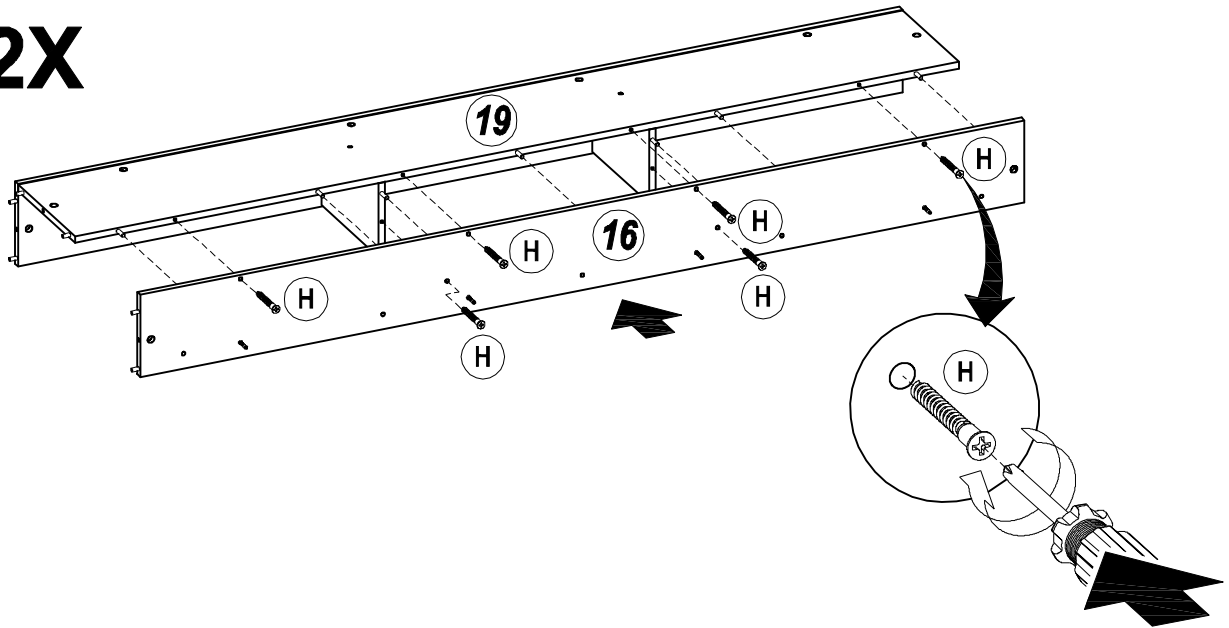
1. WARNING: TOP BUNKS AND ELEVATED BUNKS BEDS ARE DANGEROUS AND ARE NOT RCOMMENDED FOR CHILDREN UNDER THE AGE OF 9
2. WARNING: THE UPPER BUNK MUST BE MORE THAN 2 METERS FROM TANY CEILING FAN

<p><b>A</b>      <b>x 55</b></p> 	<p><b>B</b>      <b>x 55</b></p> 	<p><b>C</b>      <b>x 16</b></p> 	<p><b>D</b>      <b>x 138</b></p>  <p>Ø7.8 X 32 mm</p>	<p><b>E</b>      <b>x 8</b></p>  <p>Ø7.8 X 40 mm</p>	<p><b>F</b>      <b>x 32</b></p> 
<p><b>G</b>      <b>x 14</b></p> 	<p><b>H</b>      <b>x 31</b></p> 	<p><b>J</b>      <b>x 20</b></p>  <p>Ø 3.5 x 37.5 mm</p>	<p><b>K</b>      <b>x 24</b></p>  <p>Ø 3.5 x 25 mm</p>	<p><b>L</b>      <b>x 32</b></p>  <p>Ø 6 x 60 mm</p>	<p><b>M</b>      <b>x 8</b></p> 
<p><b>N</b>      <b>x 6</b></p> 	<p><b>P</b>      <b>x 12</b></p>  <p>Ø 3.5 X 12 MM</p>	<p><b>Q</b>      <b>x 2</b></p> 	<p><b>R</b>      <b>x 4</b></p>  <p>Ø4 X 12 mm</p>	<p><b>S</b>      <b>x 4</b></p> 	<p><b>T</b>      <b>x 4</b></p>  <p>Ø 3.5 x 19 mm</p>
<p><b>U</b>      <b>x 1</b></p>  <p>L4</p>	<p><b>V</b>      <b>x 32</b></p>  <p>Ø25 mm</p>	<p><b>W</b>      <b>x 8</b></p>  <p>Ø50 mm</p>			

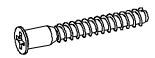


4

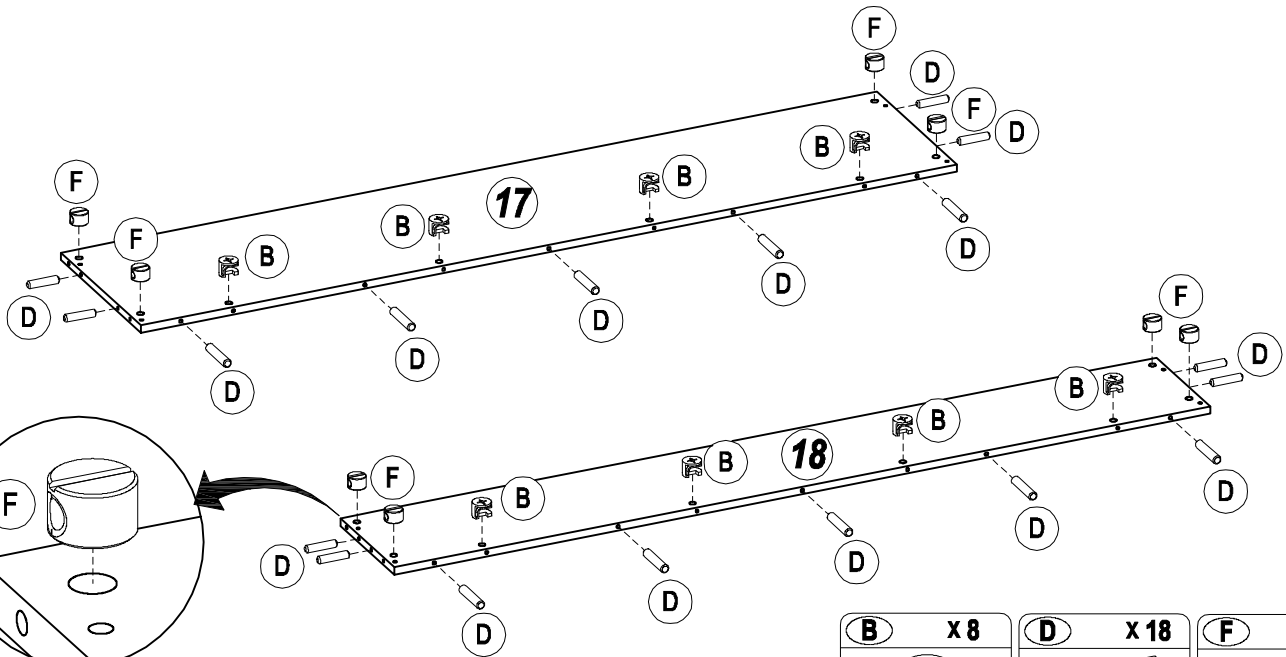
2X



H x 12

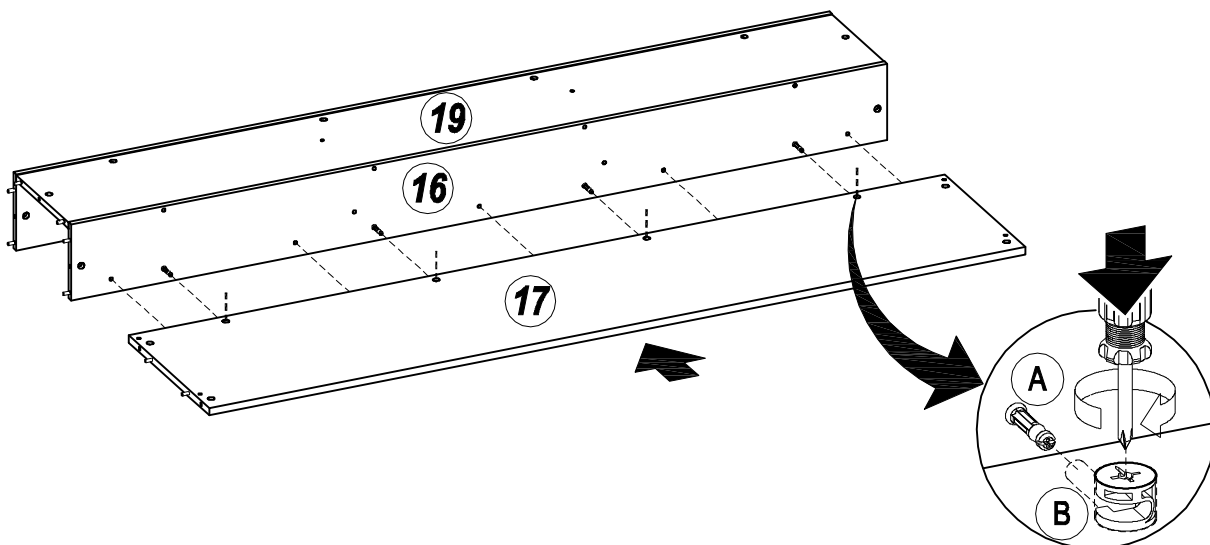


5

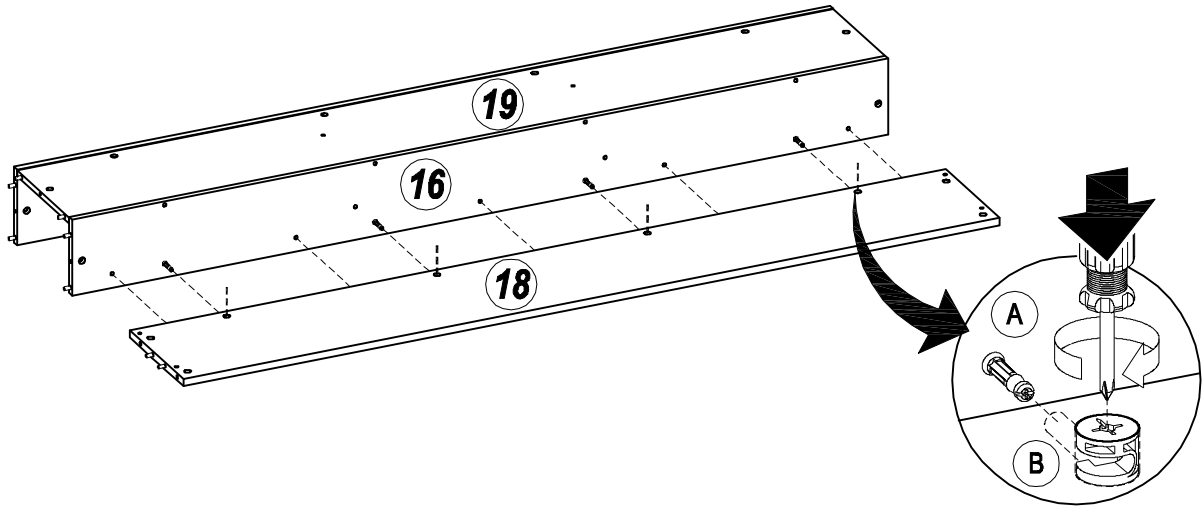


B x 8	D x 18	F x 8
	 Ø 7.8 x 32 mm	

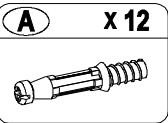
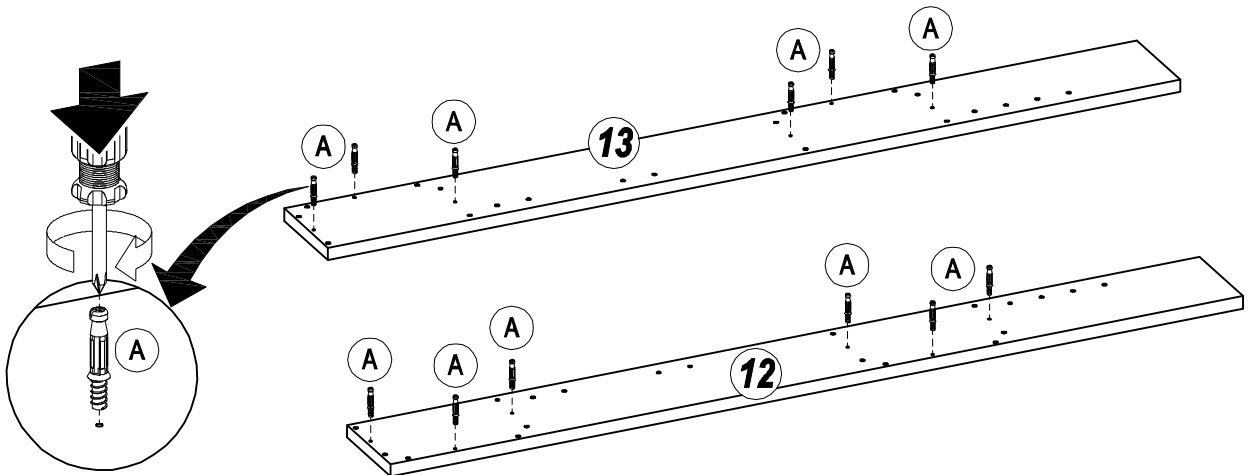
6



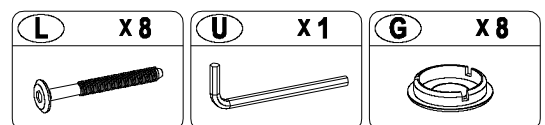
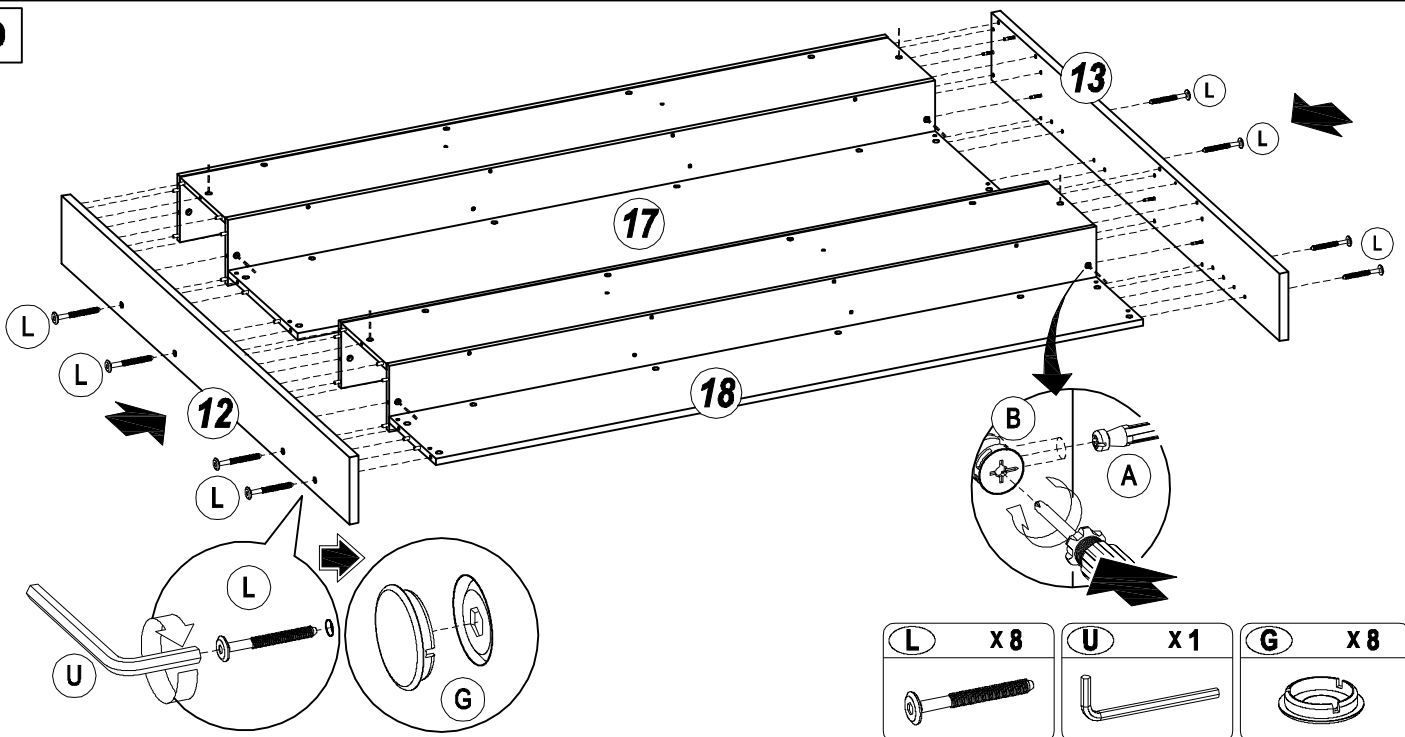
7



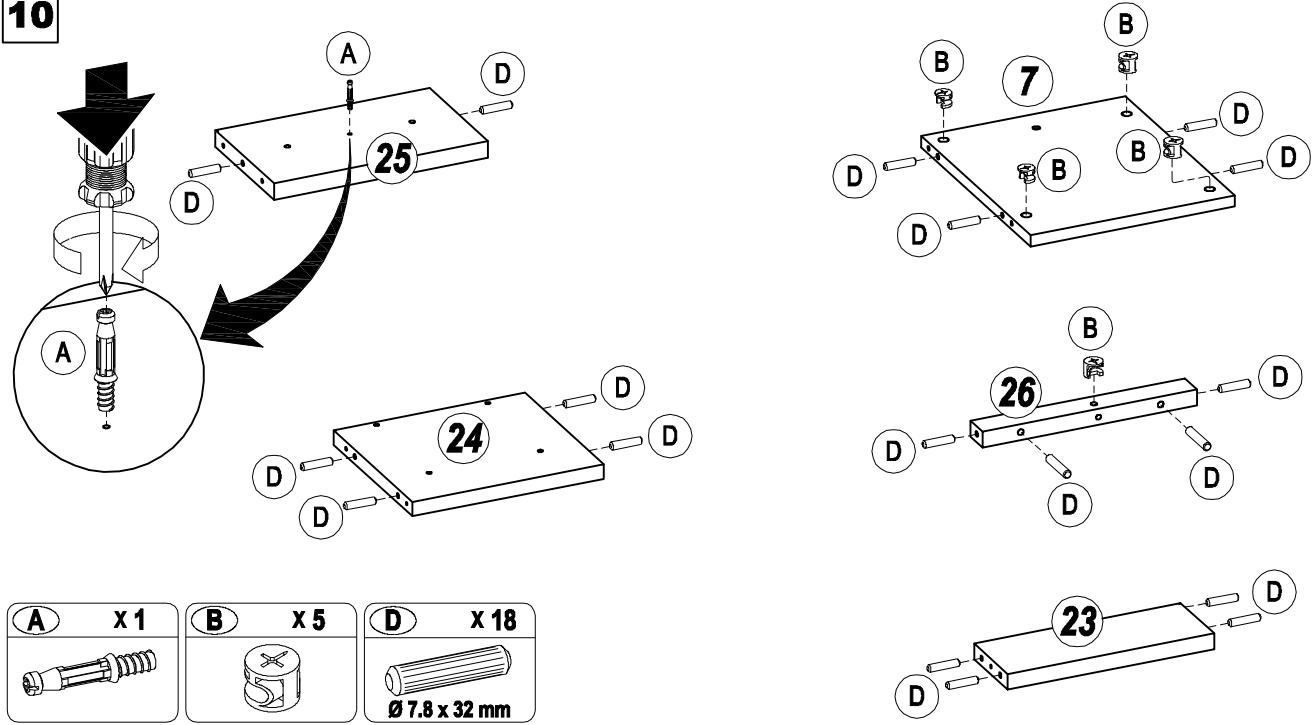
8

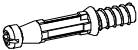




9

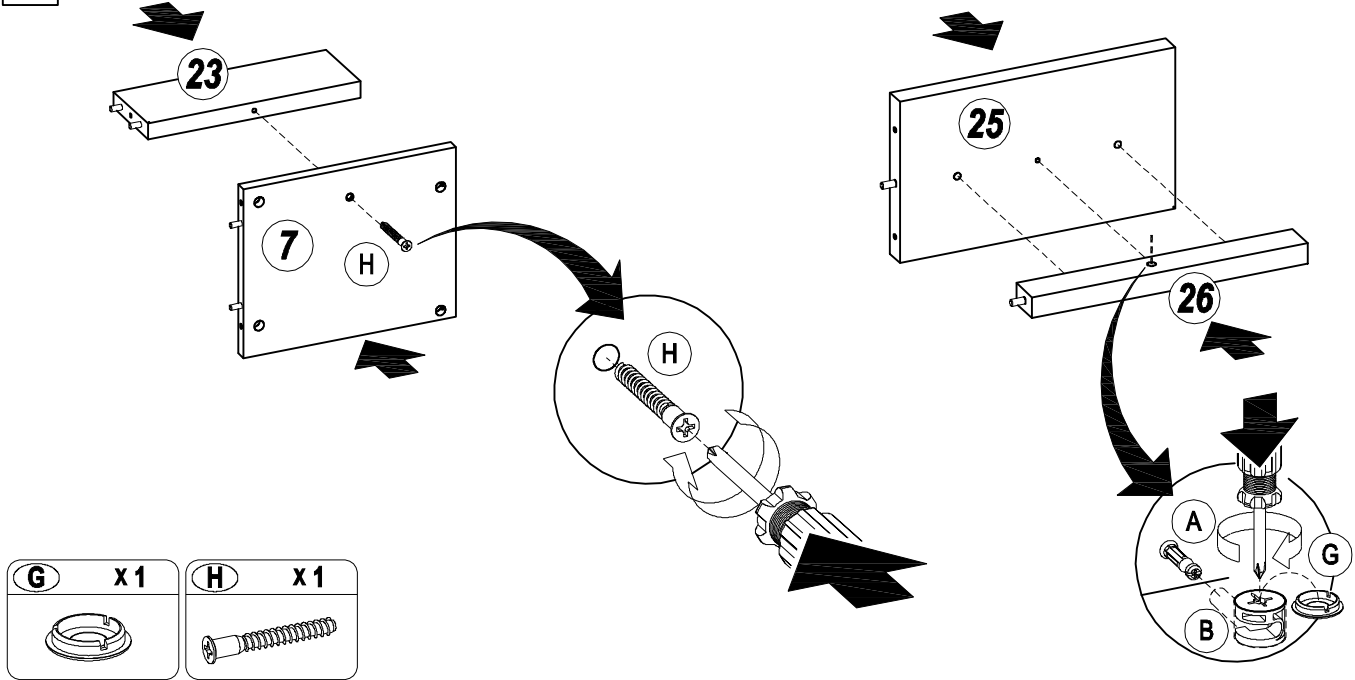




10



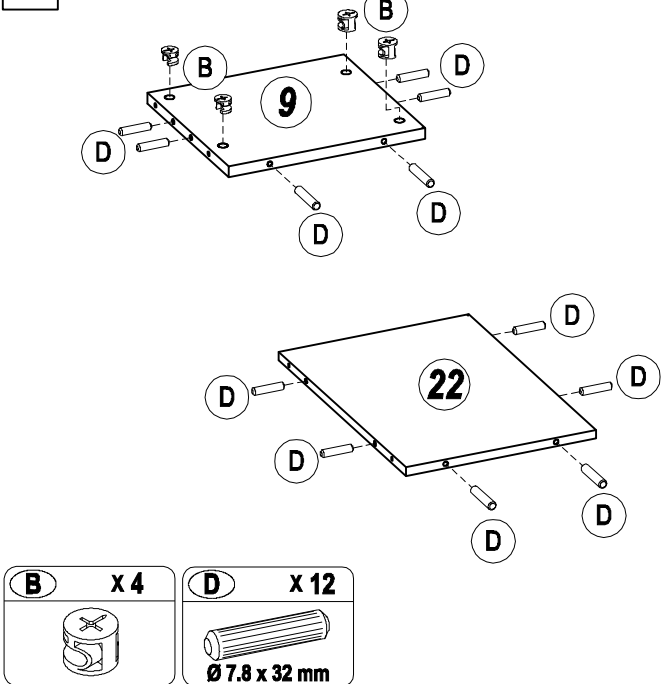
- |   |     |   |     |   |      |
|---|-----|---|-----|---|------|
| <b>A</b>  | x 1 | <b>B</b>  | x 5 | <b>D</b>  | x 18 |
|  |     |  |     |  |      |
|   |     |   |     | Ø 7.8 x 32 mm   |      |



11



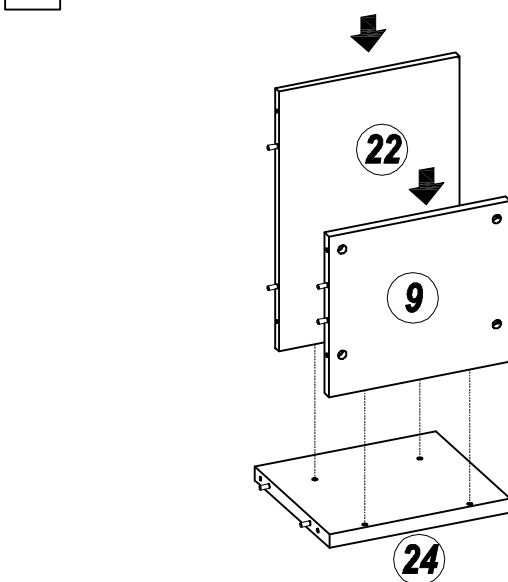
- |   |     |   |     |
|---|-----|---|-----|
| <b>G</b>  | x 1 | <b>H</b>  | x 1 |
|  |     |  |     |

12

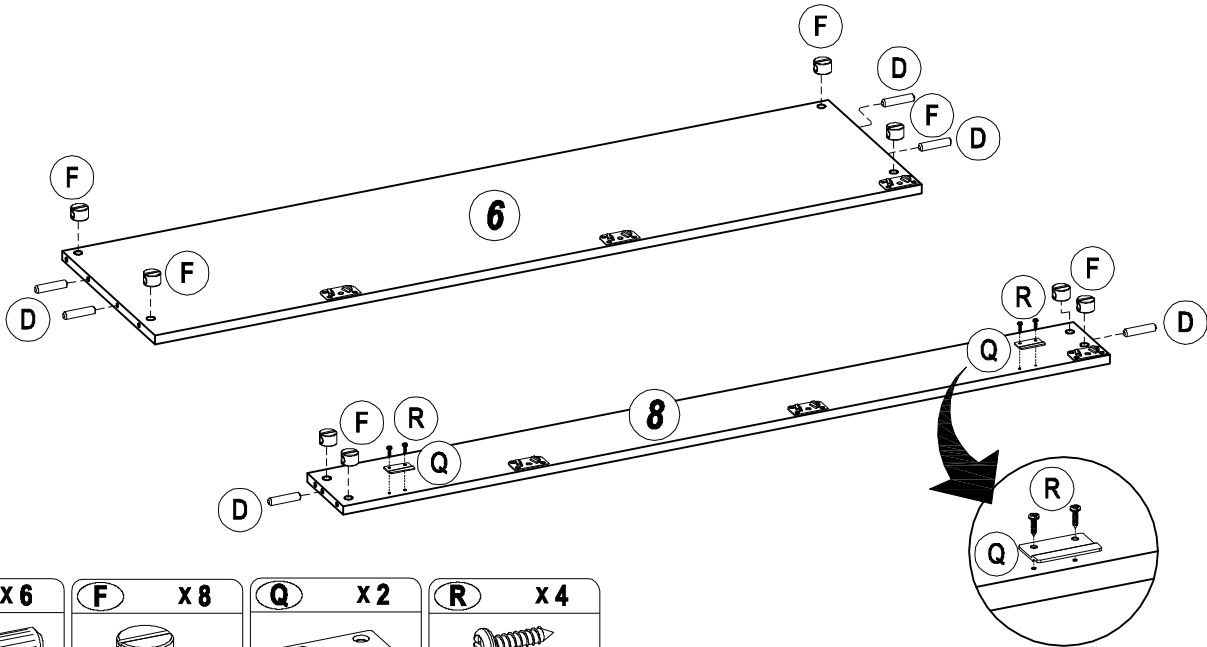


- |   |     |   |      |
|---|-----|---|------|
| <b>B</b>  | x 4 | <b>D</b>  | x 12 |
|  |     |  |      |
|   |     | Ø 7.8 x 32 mm   |      |

13

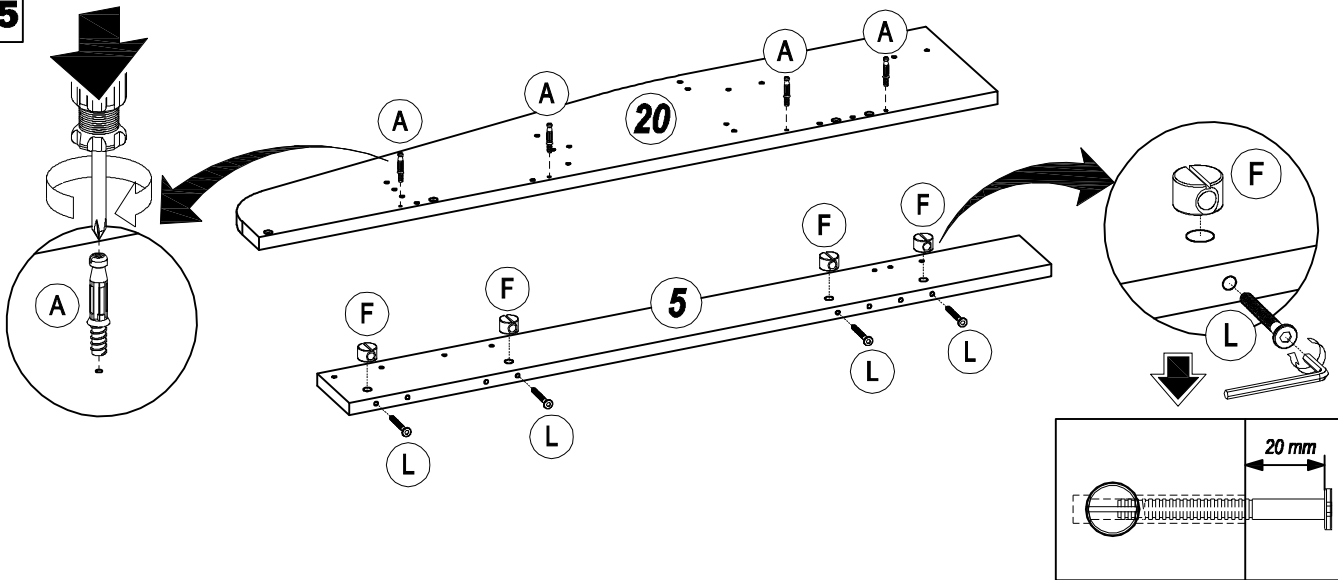


14



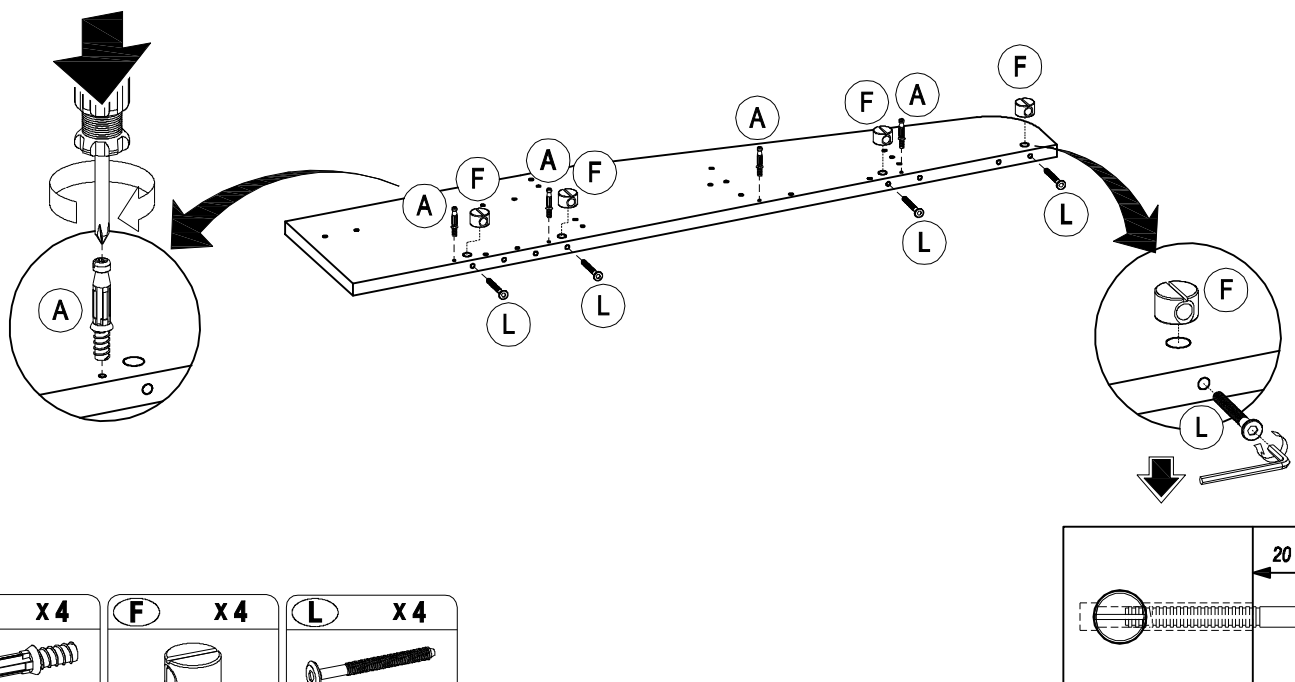
<b>D</b>	x6	<b>F</b>	x8	<b>Q</b>	x2	<b>R</b>	x4
							Ø4 X 12 MM

15



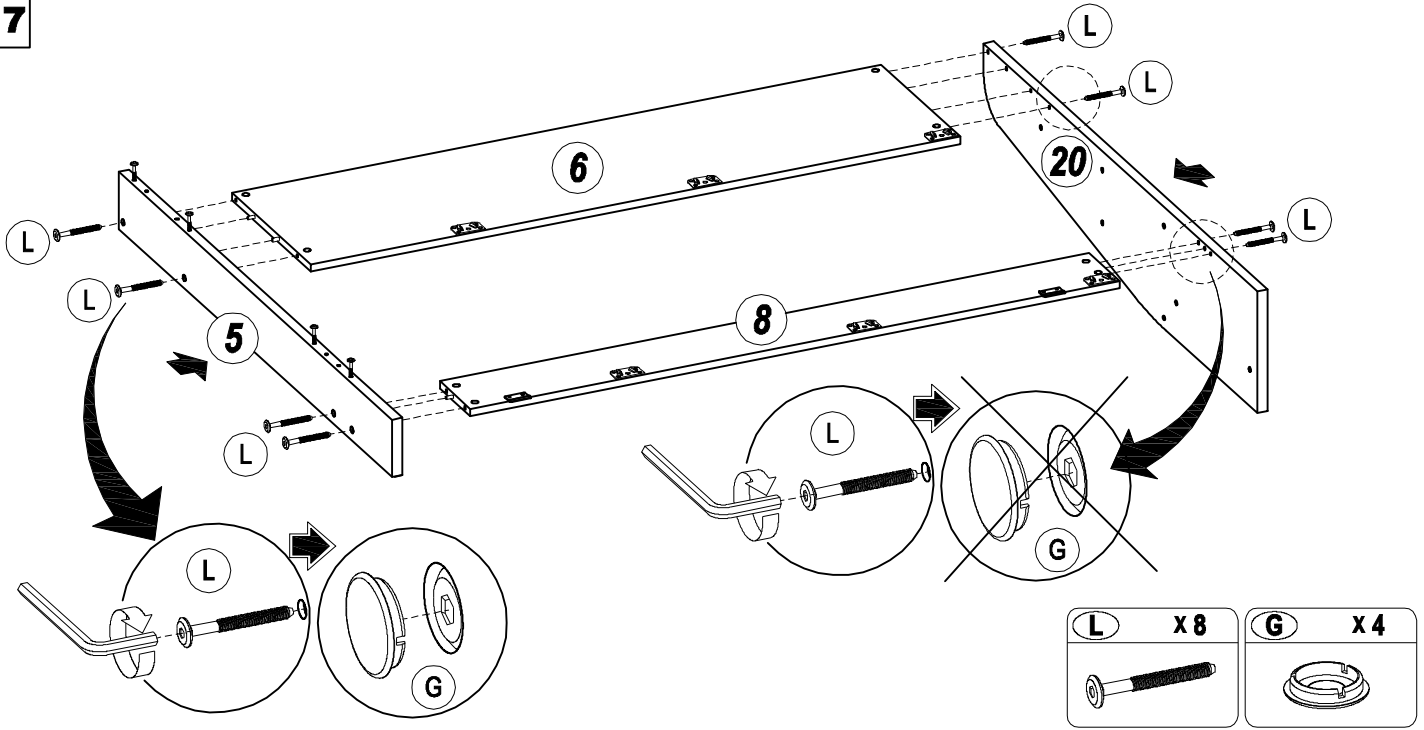
<b>A</b>	x4	<b>F</b>	x4	<b>L</b>	x4

16

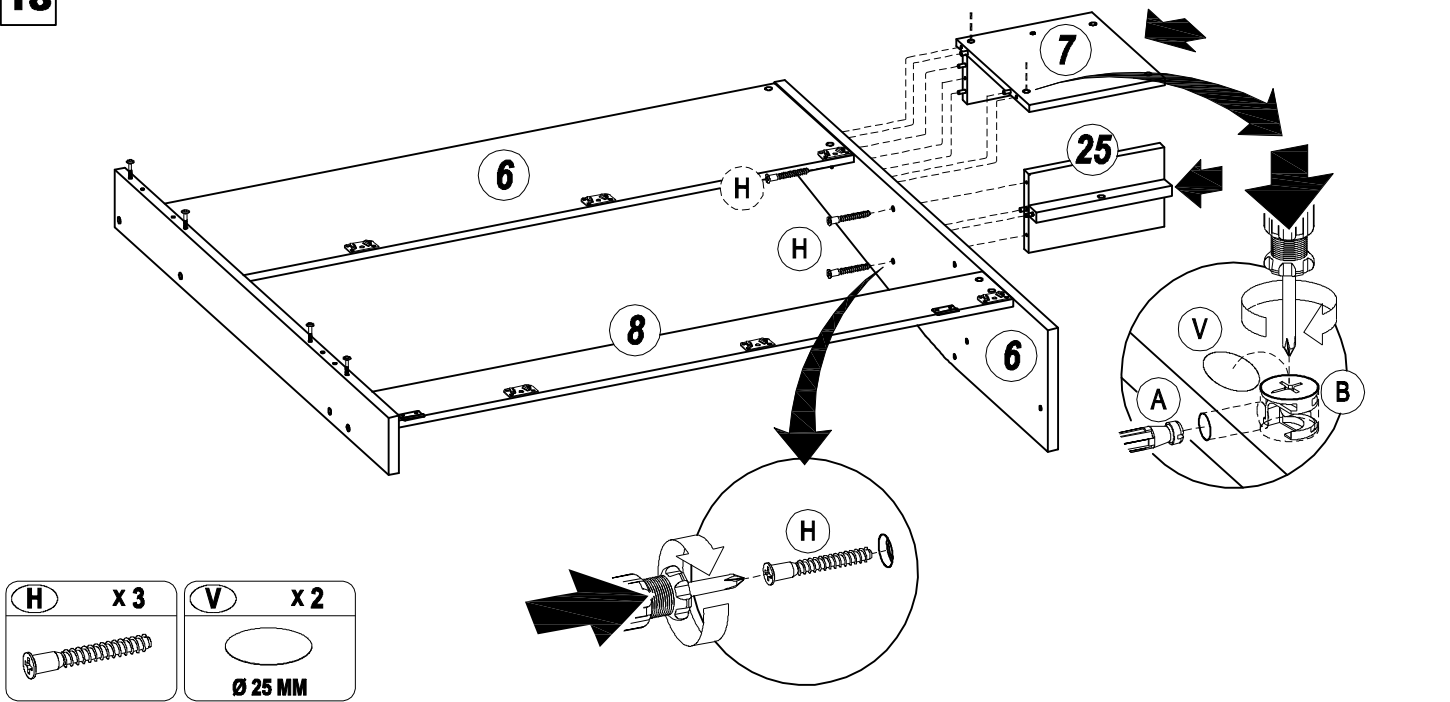


<b>A</b>	x4	<b>F</b>	x4	<b>L</b>	x4

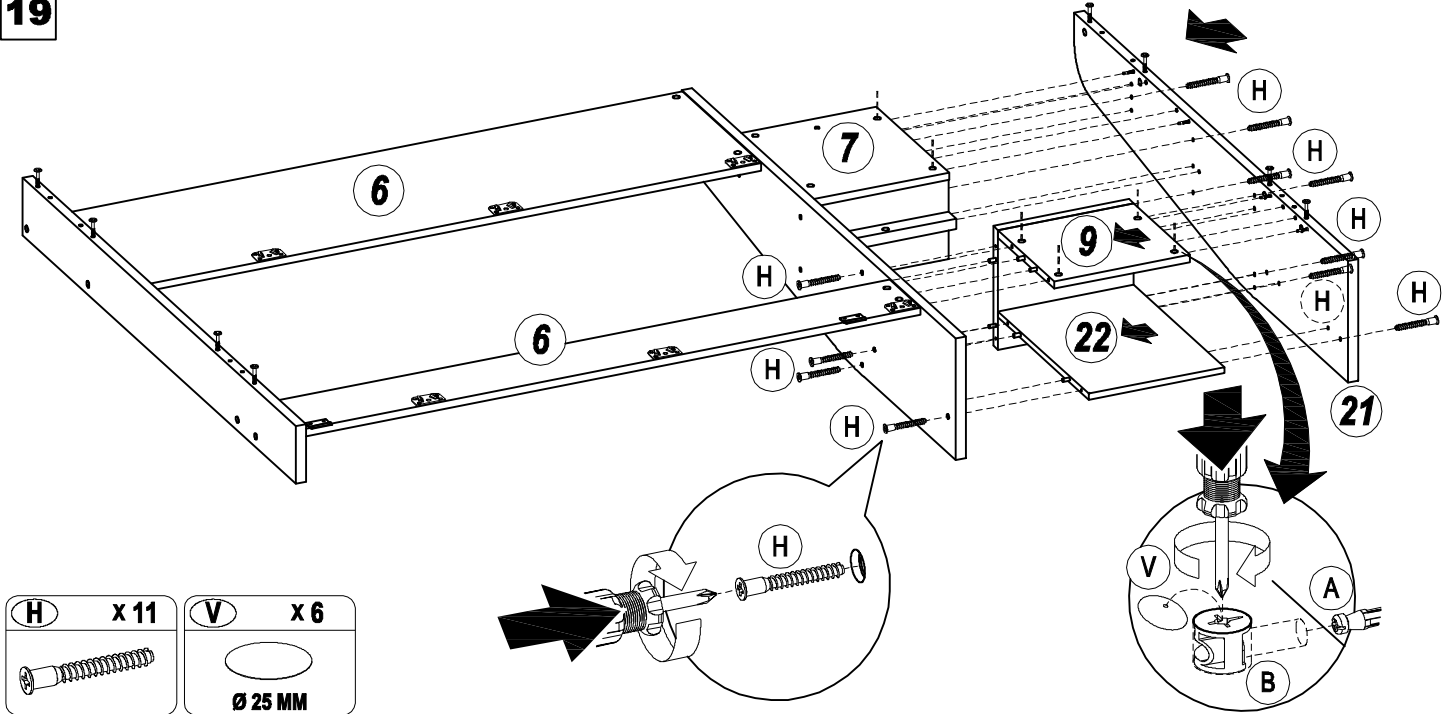
17



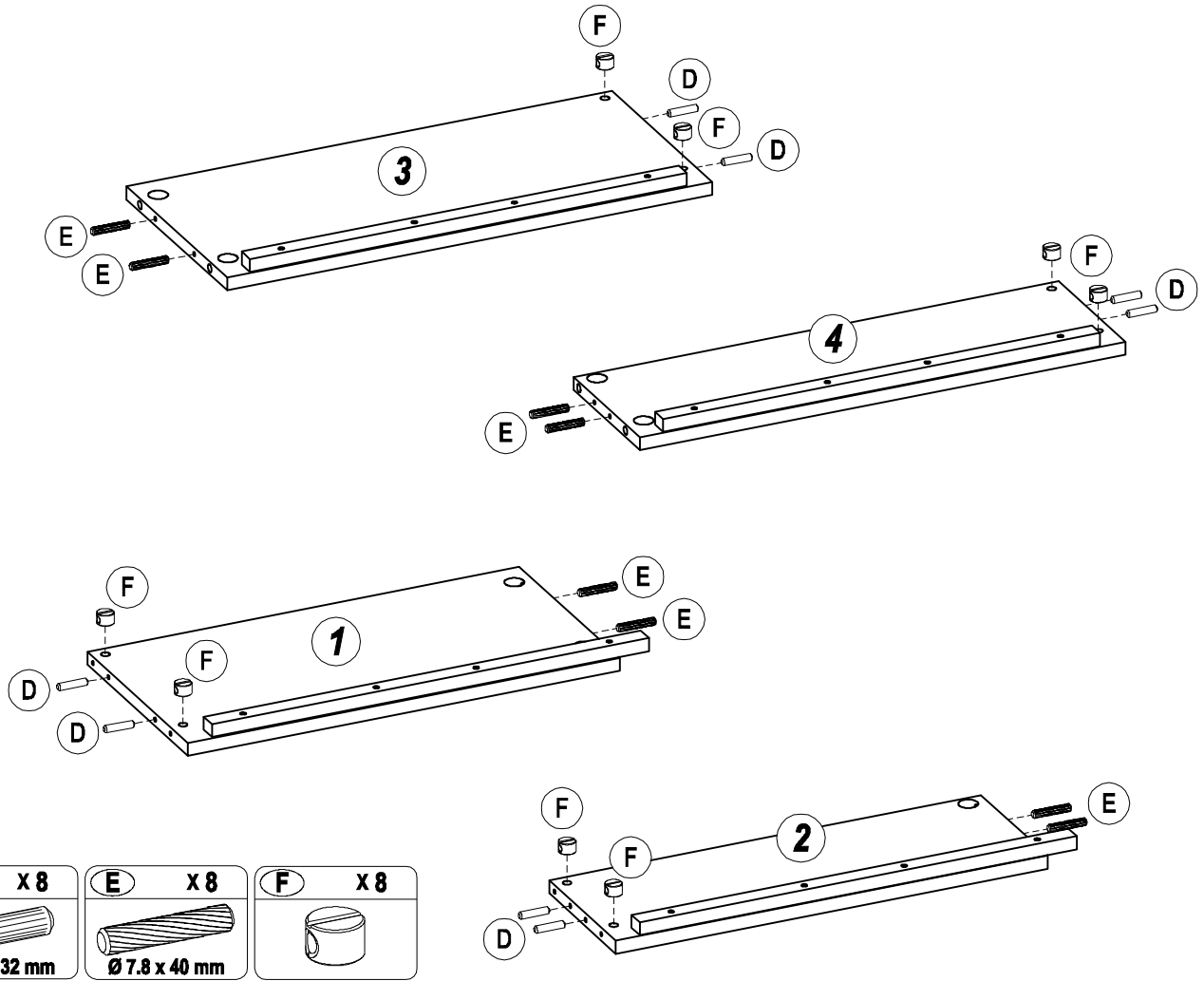
18



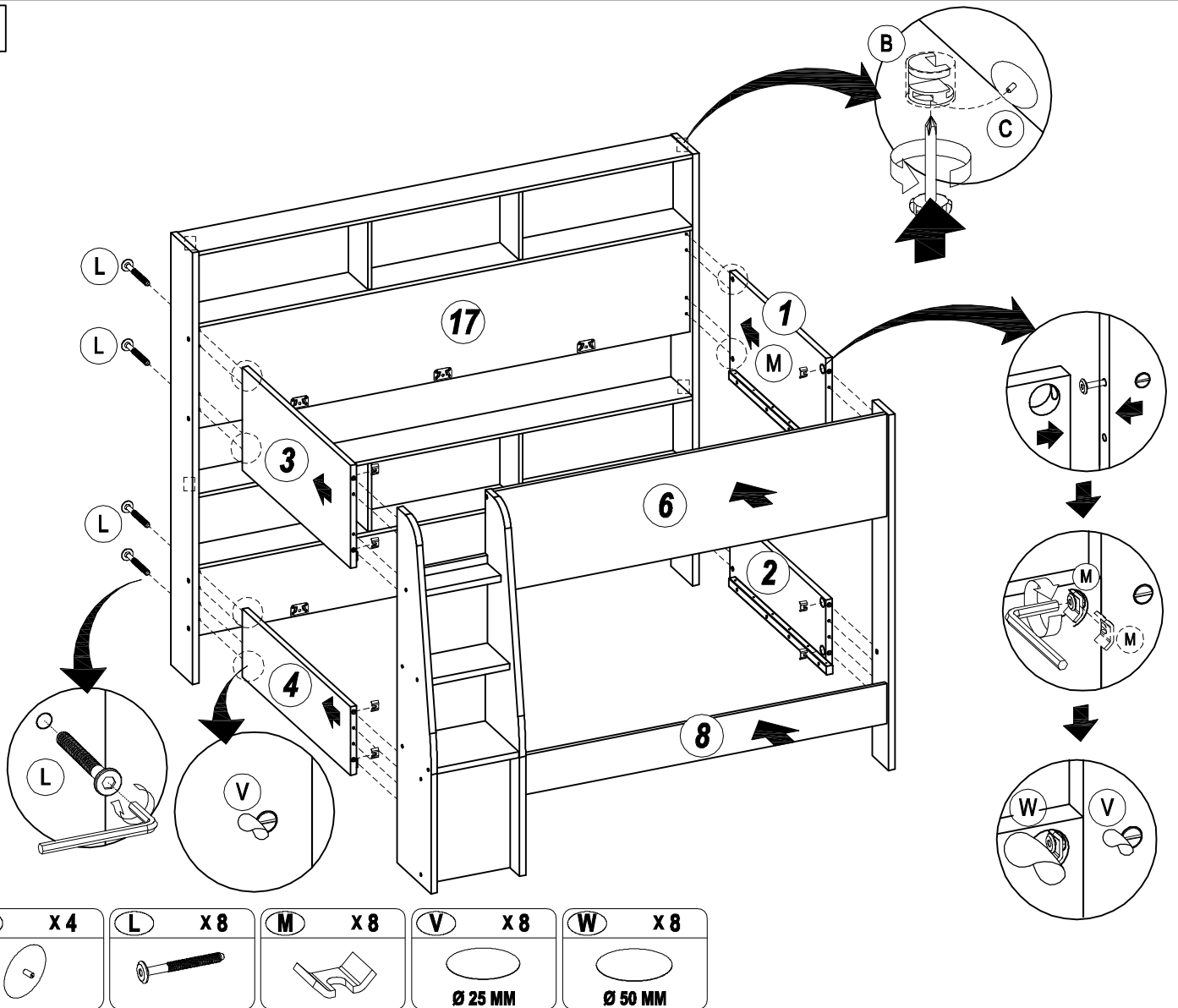
19



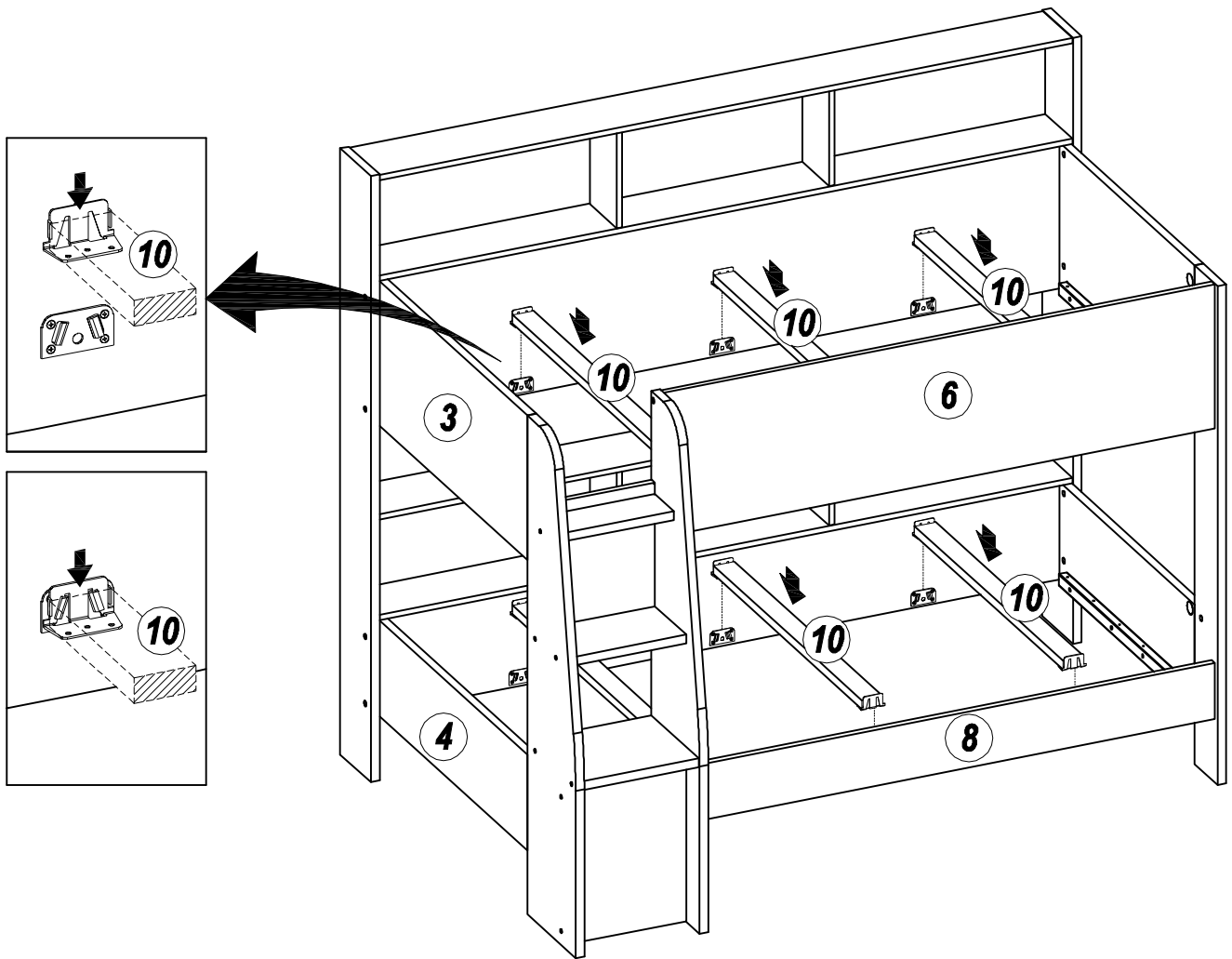
20



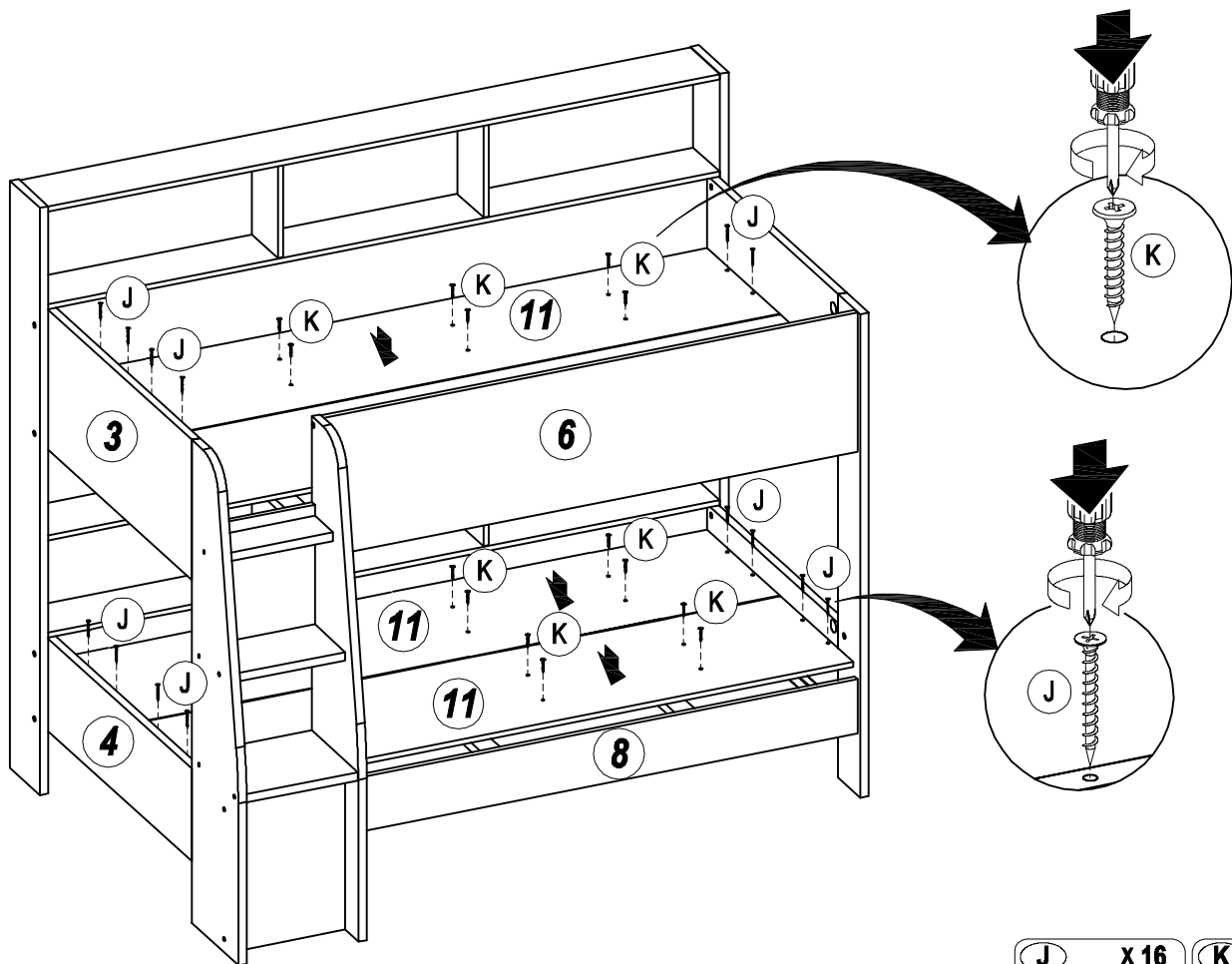
21

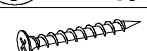
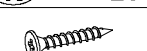


22

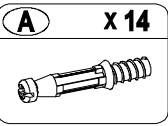
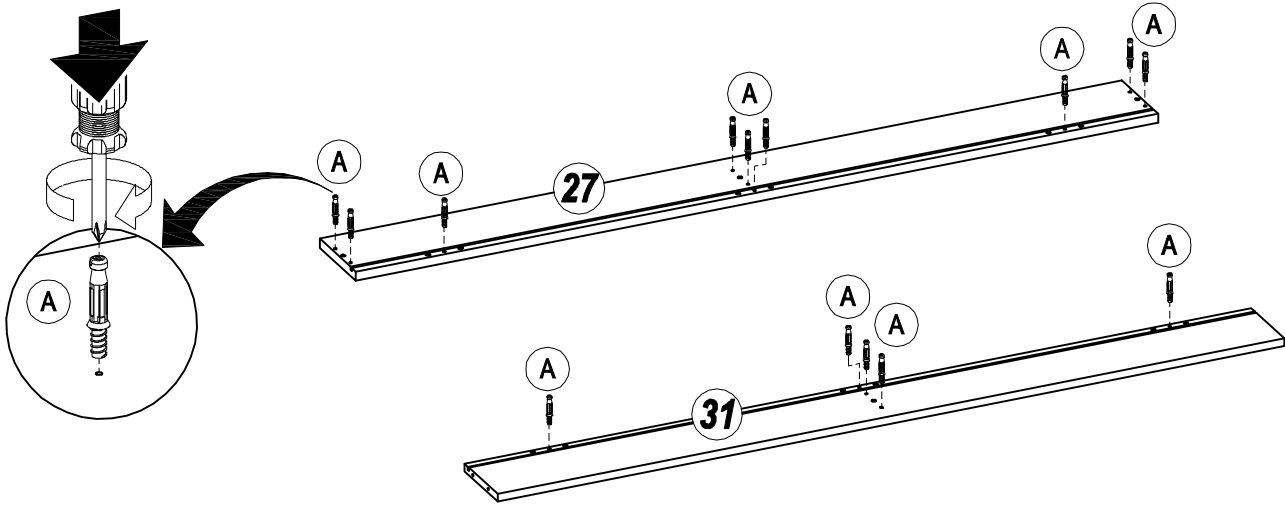


23

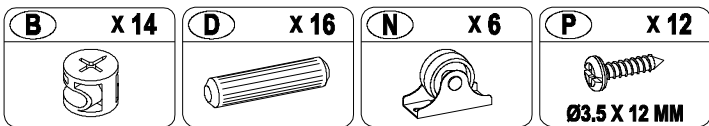
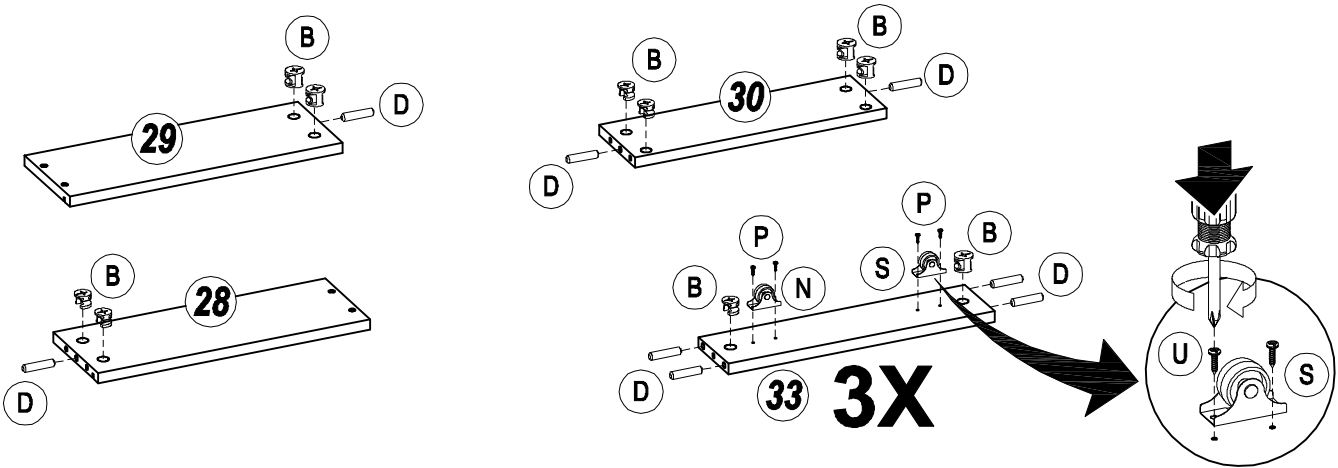


<b>J</b>	x 16	<b>K</b>	x 24
 Ø 3.5 x 37.5 mm		 Ø 3.5 x 25 mm	

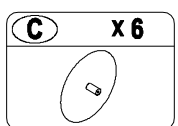
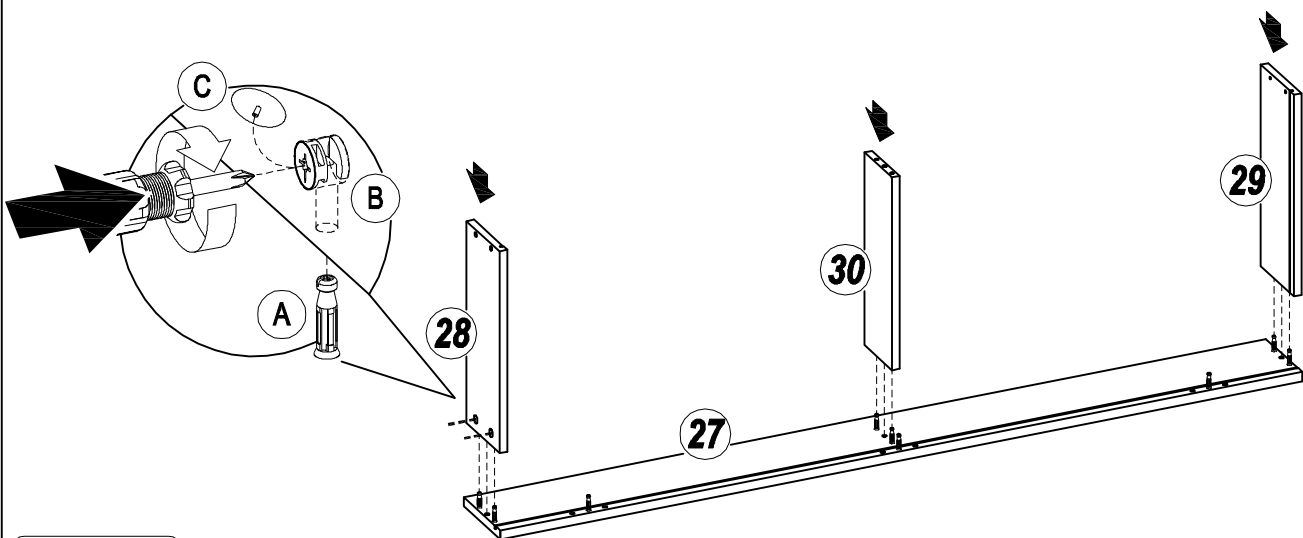
24



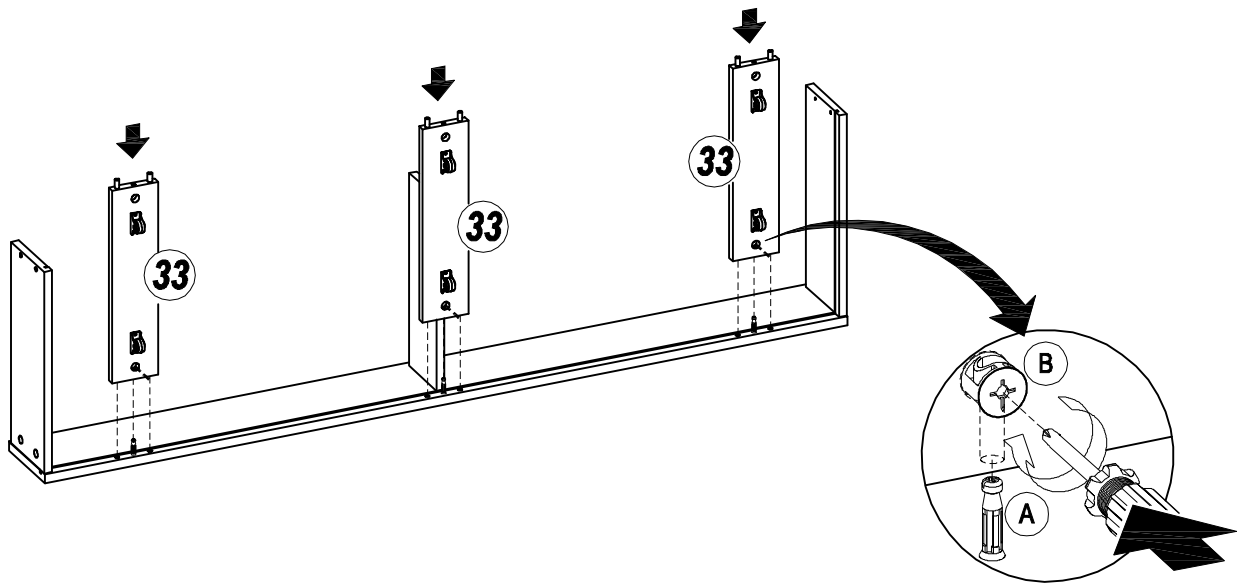
25



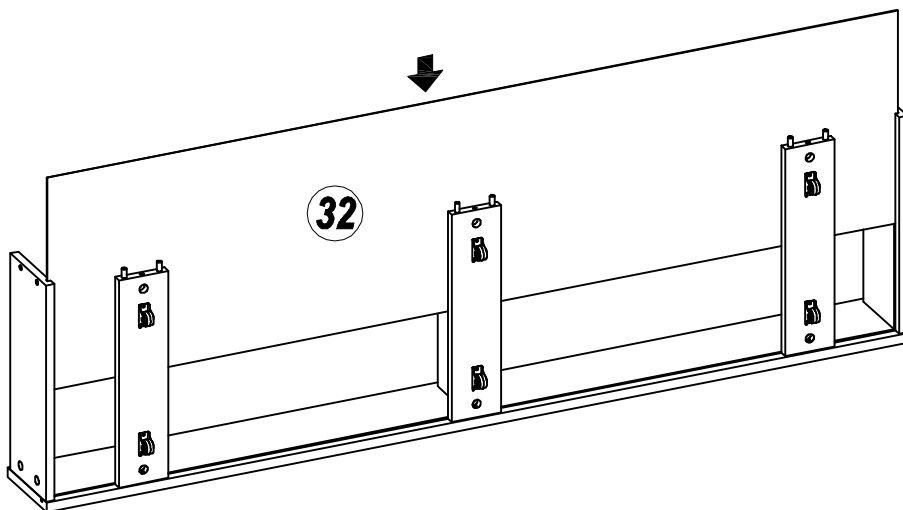
26



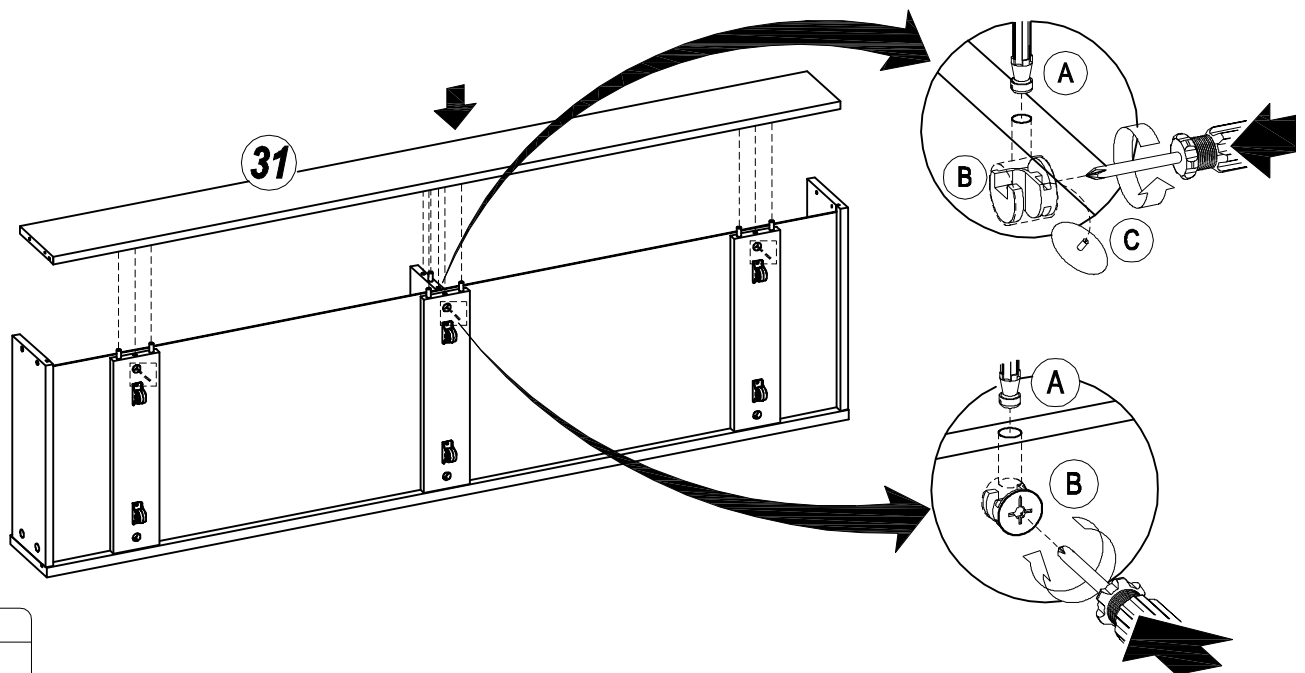
27



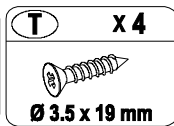
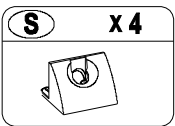
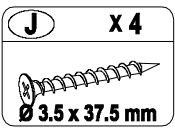
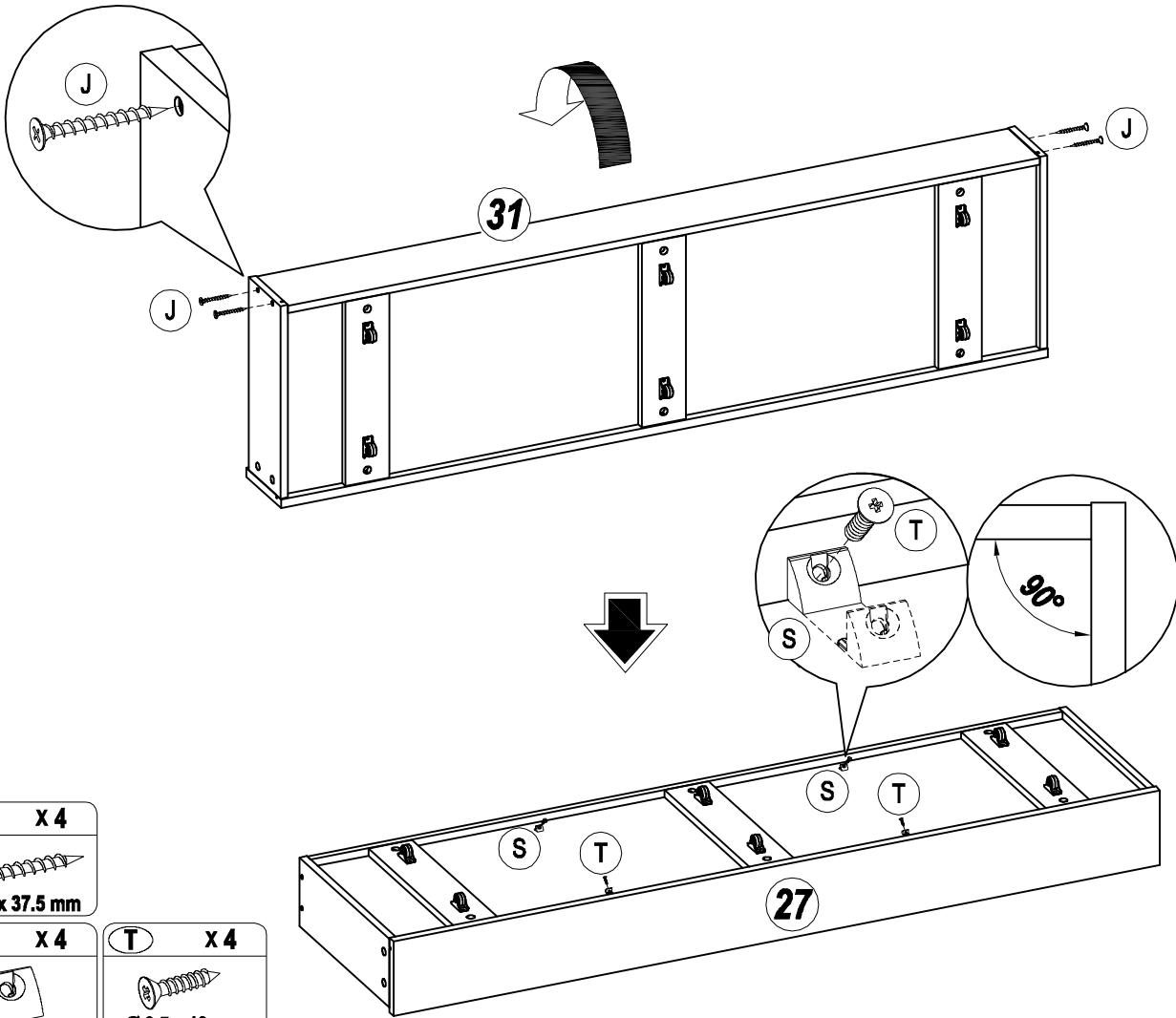
28



29



30



31

