

ASSEMBLY INSTRUCTION

DESCRIPTION: Type 852 BOOM HIGHBOARD

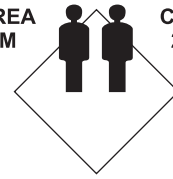
2.5 hrs

APPROXIMATE ASSEMBLY TIME
EXCLUDING GLUE SETTING TIME

2 PERSON ASSEMBLY

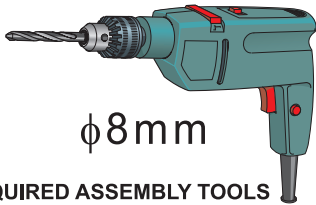


FLOOR AREA
2,5M X 2,5M



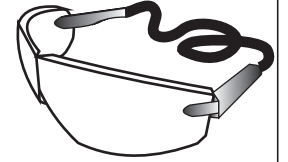
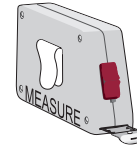
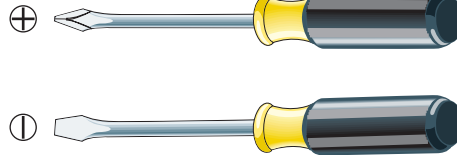
CEILING HEIGHT
2,0M

REQUIRED ASSEMBLY SPACE



$\phi 8\text{mm}$

REQUIRED ASSEMBLY TOOLS



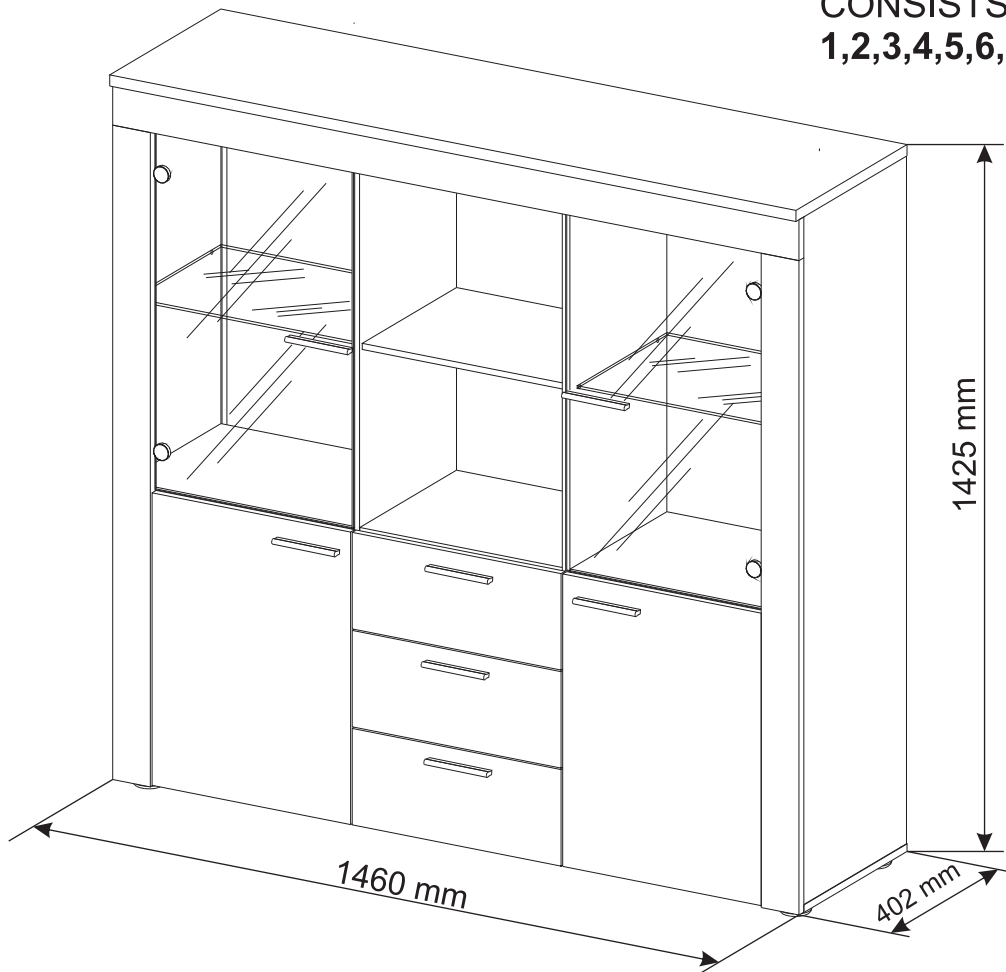
ASSEMBLED DIMENSIONS

PACK 1

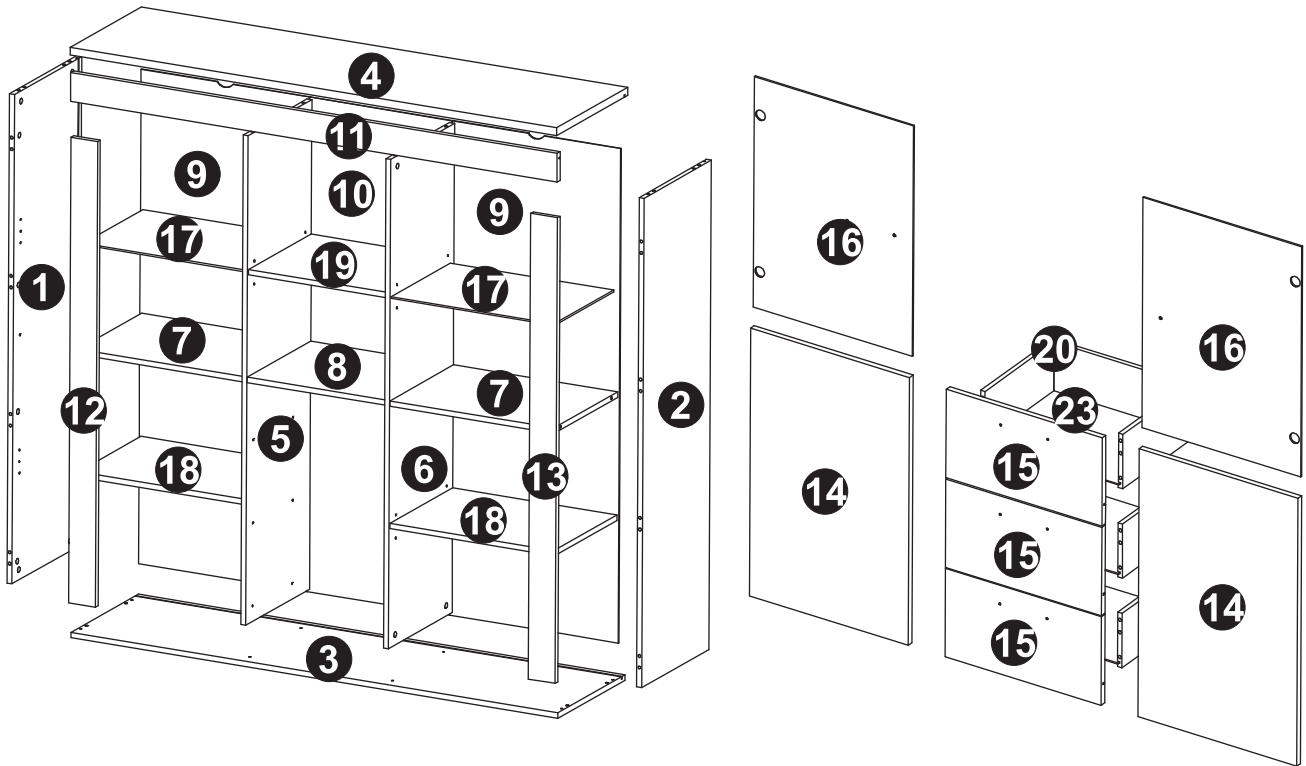
CONSISTS OF PARTS :
7,8,14,15,16,17,18,19
Fittings

PACK 2

CONSISTS OF PARTS :
1,2,3,4,5,6,9,10,11,12,13,20,24



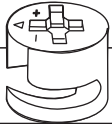


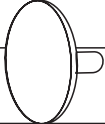
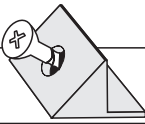
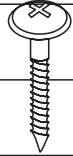
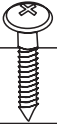
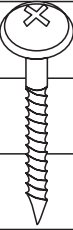
PART LIST

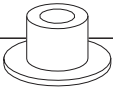


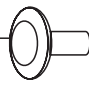
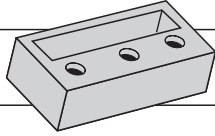
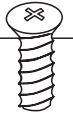
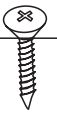


| NO. PARTS LIST | QTY | NO. PARTS LIST | QTY |
|-----------------------------|-----|--------------------|-----|
| (1) LEFT SIDE PANEL | 1 | (14) DOOR | 2 |
| (2) RIGHT SIDE PANEL | 1 | (15) DRAWER FRONT | 3 |
| (3) BOTTOM PANEL | 1 | (16) GLASS DOOR | 2 |
| (4) TOP PANEL | 1 | (17) GLASS SHELF | 2 |
| (5) LEFT DIVIDER | 1 | (18) SIDE SHELF | 2 |
| (6) RIGHT DIVIDER | 1 | (19) CENTER SHELF | 1 |
| (7) HORIZONTAL SIDE DIVIDER | 2 | (20) DRAWER PANEL | 3 |
| (8) HORIZONTAL DIVIDER | 1 | (23) DRAWER BOTTOM | 3 |
| (9) SIDE BACK PANEL | 2 | | |
| (10) CENTER BACK PANEL | 1 | | |
| (11) TOP PLINTH | 1 | | |
| (12) LEFT PLINTH | 1 | | |
| (13) RIGHT PLINTH | 1 | | |

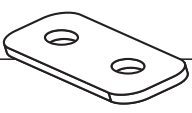
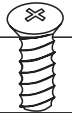
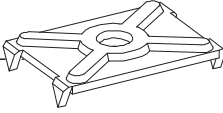
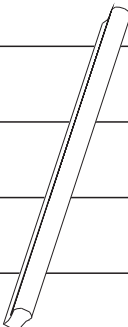
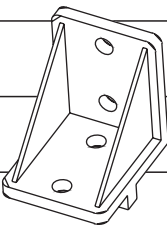
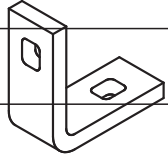
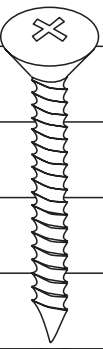


HARDWARE LIST

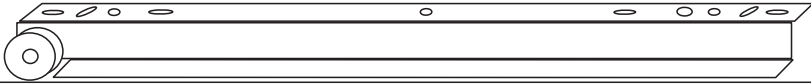
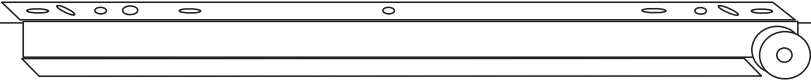
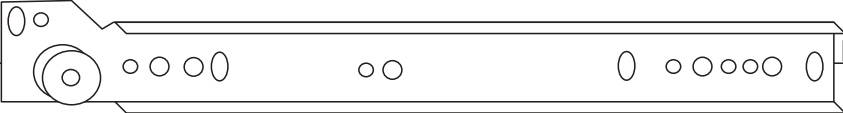
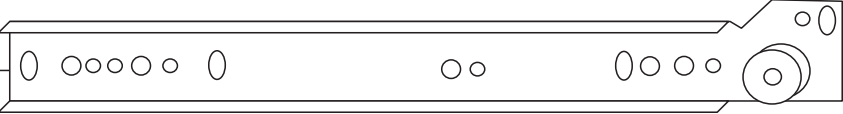
| | | | | | | | |
|---|---|---|---|--|---|---|---|
|  |  |  |  |  |  |  |  |
| 36x 15x12mm | 28x | 16x 8x28mm | 36x | 23x | 26x 3x20mm | 4x 4x16mm | 10x 4x30mm |
| A | B | C | D | E | F | F2 | F3 |
| CAM LOCK | CAM BOLT | DOWEL | CAM COVER | SECURING BRACKET | SCREW | SCREW | SCREW |

| | | | | | | |
|--|---|--|--|---|--|--|
|  |  |  |  |  |  |  |
| 4x | 4x | 4x | 4x | 6x 1:2 | 16x 6,3x13mm | 48x 3,5x13mm |
| J | H | I | K | L | L1 | M. |
| SLEEVE GLASS | PEG | CAM BOLT | COVER f5 | NYLON FOOT | GRUB SCREW | SCREW |



| | | | | | | |
|---|---|---|---|--|---|---|
|  |  |  |  |  |  |  |
| 2x | 12x 6x8mm | 18x | 7x 1:2 | 5x | 2x | 12x 4x40mm |
| Q | L2 | N | O | P. | P2 | S |
| METAL PLATE | GRUB SCREW | METAL PLATE | HANDLE | SQUARE | SQUARE | SCREW |

HARDWARE LIST

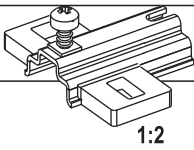
| | |
|---|---|
|  | SLIDE B ATTACH TO DRAWER BASE |
|  | |
| FRONT  BACK | SLIDE A ATTACH TO CARCASS |
| BACK  FRONT | |

3x Left / 3x Right

L=300

R

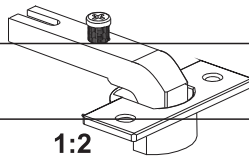
ROLLER RUNNER



8x
H-4

V1

HINGE PLATE



1:2

4x
kr90

W

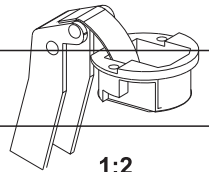
HINGE



4x

D2

HINGE
COVER



1:2

4x
kr90

W2

GLASS
HINGE



2x

T

GLUE



12x
5x16mm

Z

SHELF
SUPPORT



8x
5x16mm

Z1

SHELF GLASS
SUPPORT

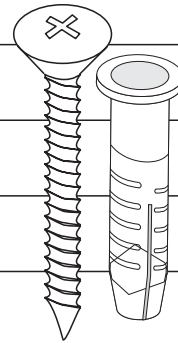


2x

X

LEVEL QUOIN

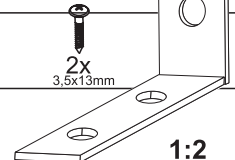
1:2



1x
4x35mm

R

PLASTIC
DOWEL



2x
3,5x13mm

1x

T

ANGLE

Top Tips before you start!

1. Please check that all parts are present before you start the assembly of your furniture, as once assembled, the furniture is exempt from our home approval policy.
2. For ease and speed of assembly, we recommend that before you commence each step of the assembly, that you identify all the parts required for that step.
3. For larger items, please ensure that you have sufficient space and people (as indicated on page 1) to assemble your product safely.
4. We recommend that, where possible, all items are assembled near to the area in which they will be placed in use, to avoid moving the product unnecessarily once assembled.
5. For the protection of your furniture, particularly items of high gloss finish, we recommend that the product is placed on a protected surface during assembly to prevent any damage.
6. During assembly please take care not to over-tighten any fittings, as this may damage the product .

Care and Maintenance of your Furniture

Please periodically check all fittings and re-tighten as necessary.

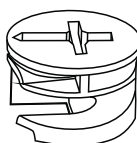
Please do not sit or stand on this item.

Never allow any kind of liquid to remain on your furniture. Absorption can cause wood to warp or finishes to de-laminate.

Please do not drag and pull your furniture.

SPECIAL TIPS FOR FITTING CAM-LOCKS AND CAM-PILLARS

CAM-LOCK



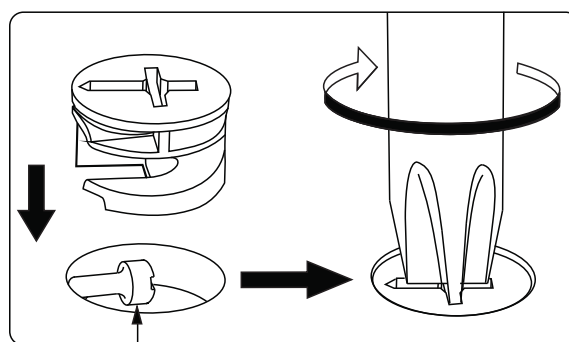
WHEN FITTING CAMS
ENSURE STARTING POSITION IS CORRECT
BEFORE YOU INSERT CONNECTING CAM-PILLAR
TURN CLOCKWISE UNTIL SECURE

✓ ✗

✗

CORRECT WRONG

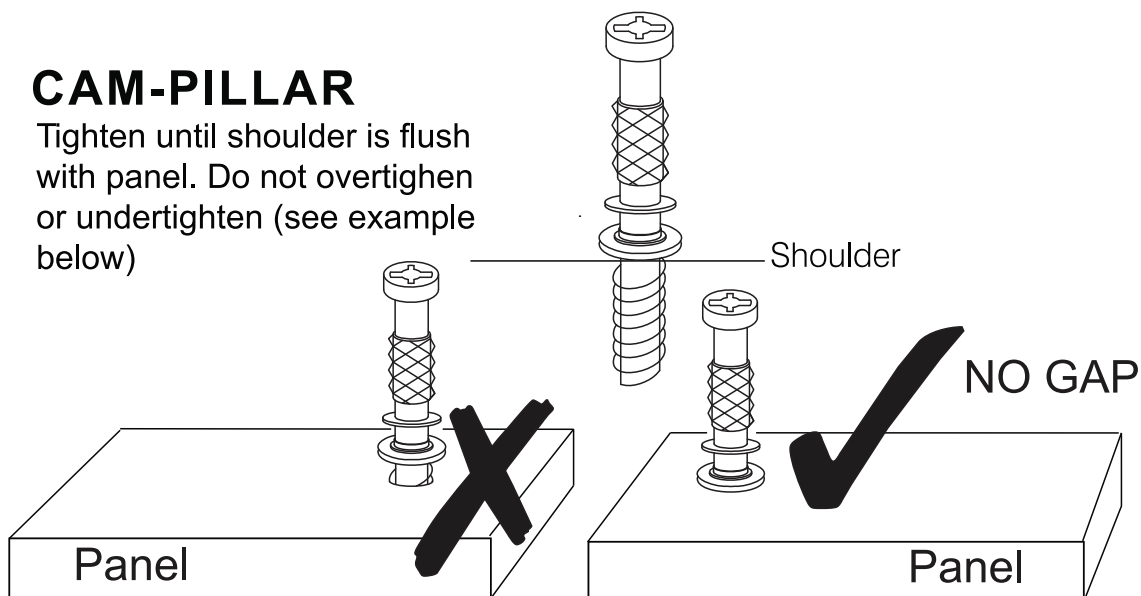
Align with long point of cross



Pillar head needs to be in centre

CAM-PILLAR

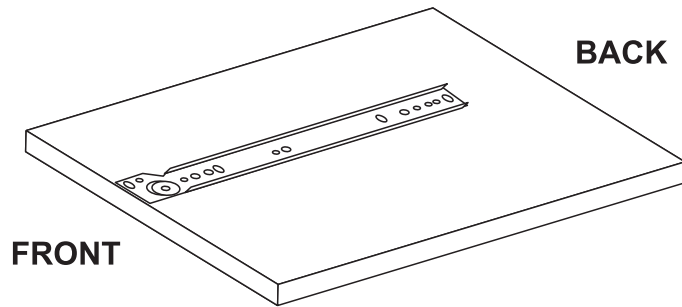
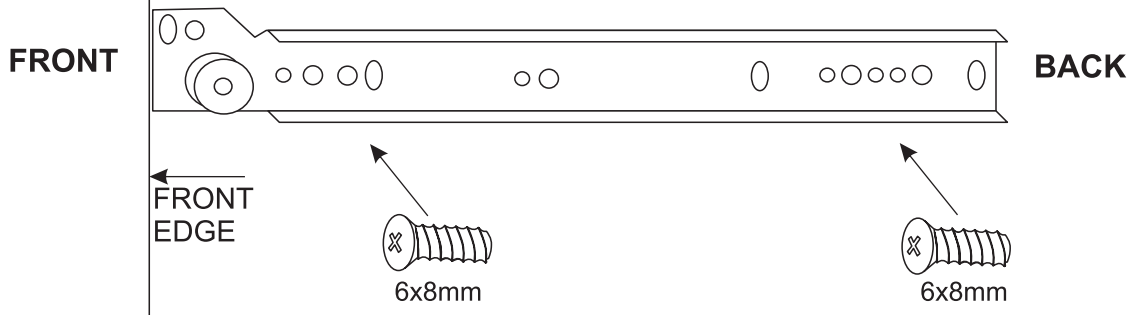
Tighten until shoulder is flush with panel. Do not overtighten or undertighten (see example below)



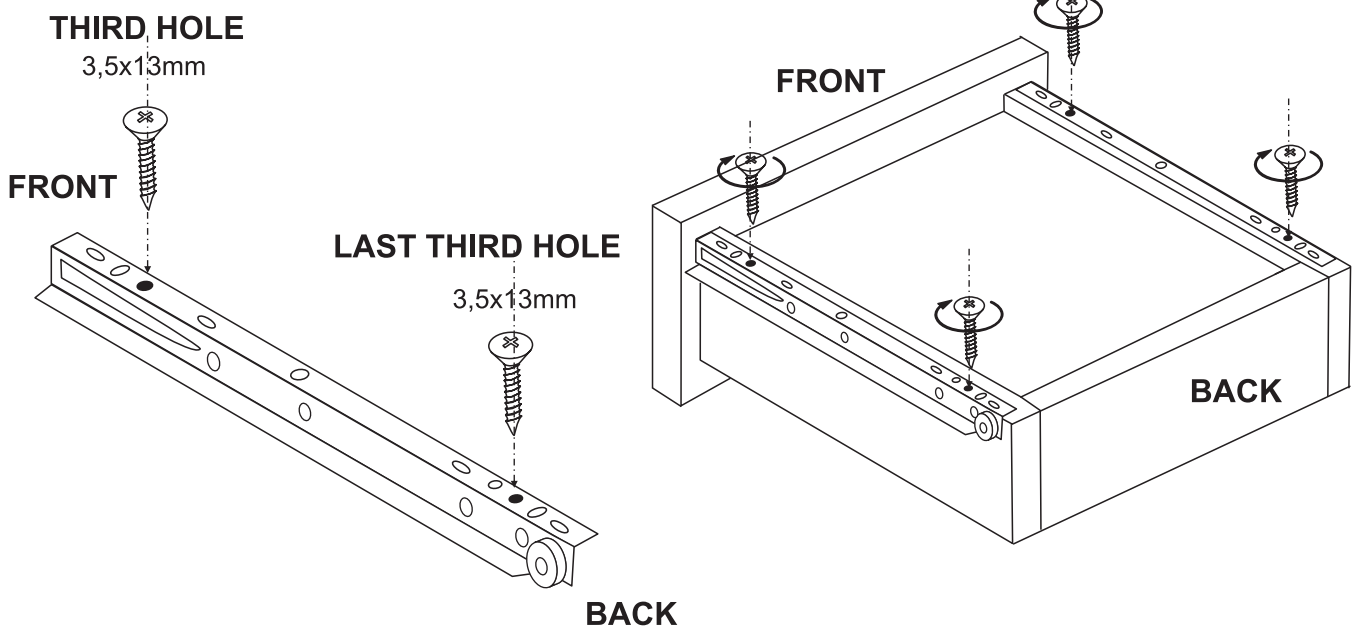
ASSEMBLY INSTRUCTION FOR DRAWER SLIDE A&B

350mm


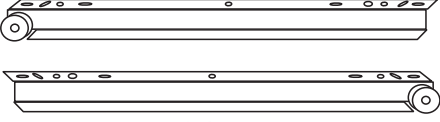


SPECIAL TIPS FOR DRAWER SLIDE A

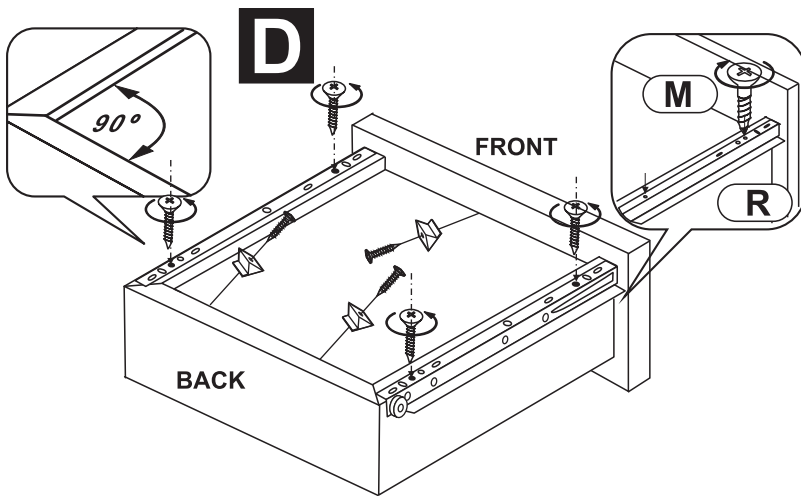
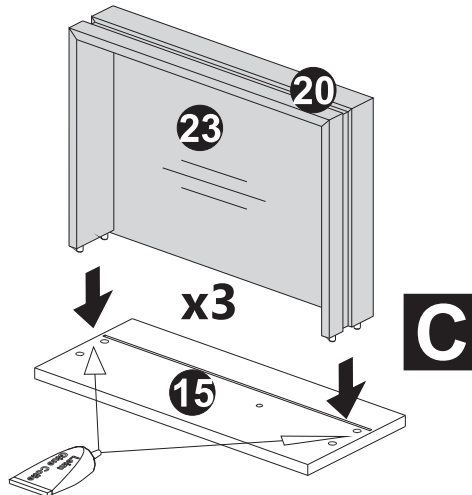
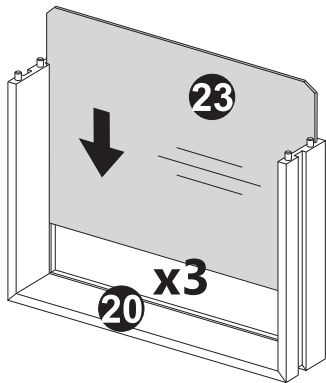
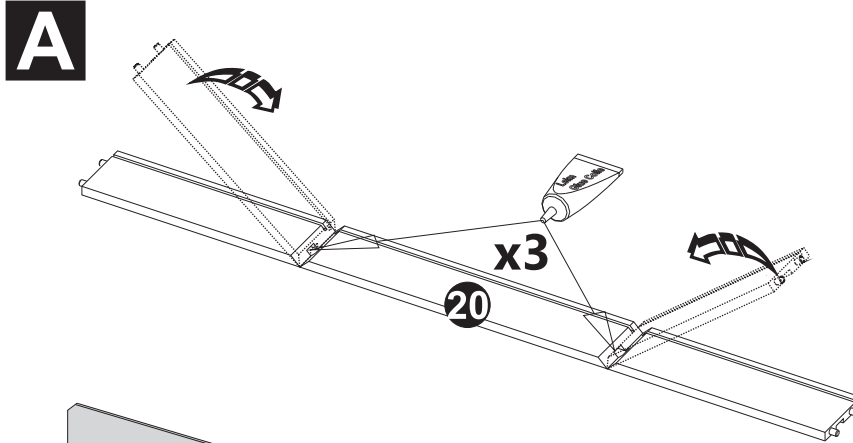


SPECIAL TIPS FOR DRAWER SLIDE B



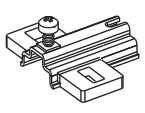


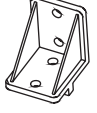

STEP 1

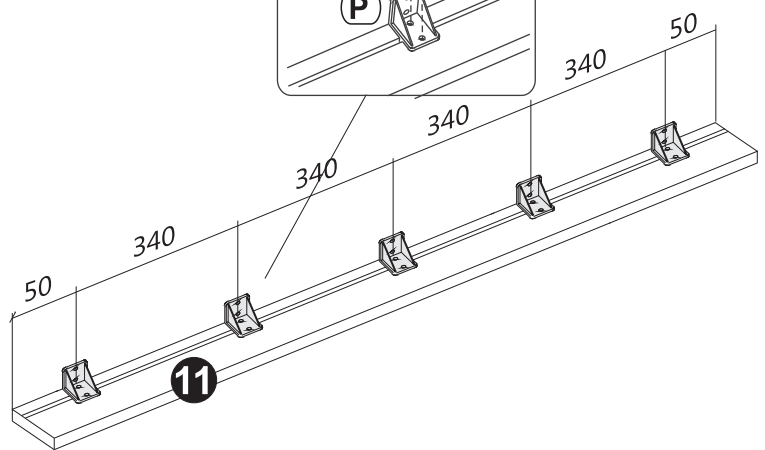
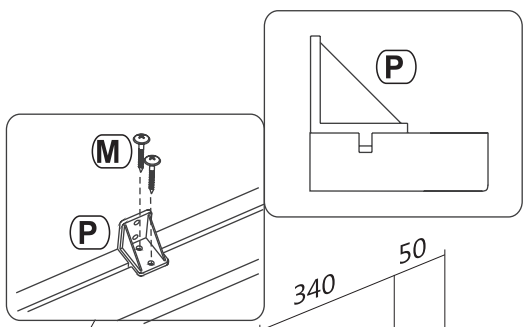
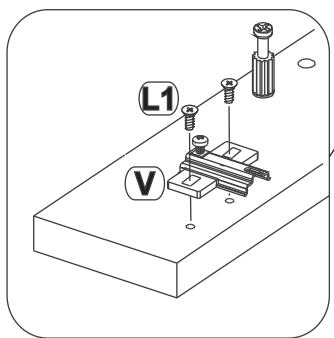
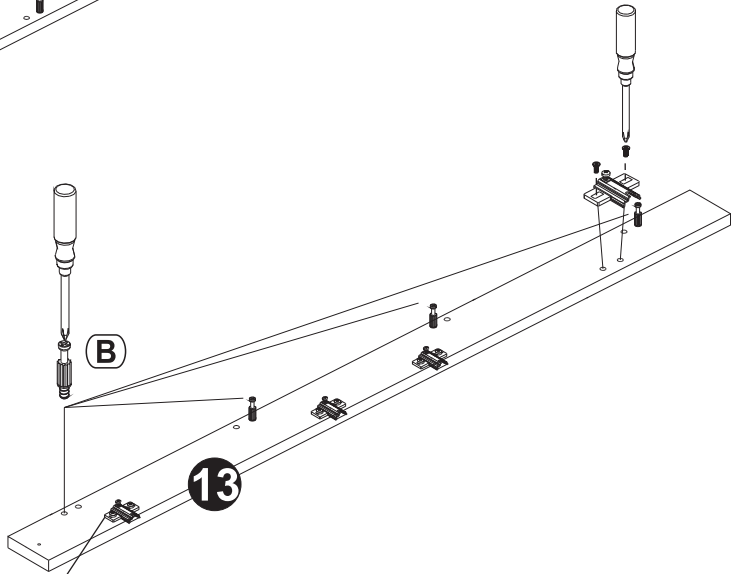
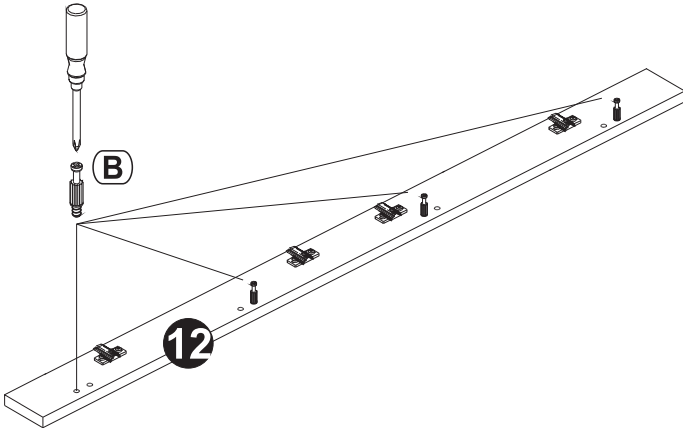
| | | | |
|---|--|---|---|
|  |  |  |  |
| 9x | 3x Left / 3x Right L=300 | 12x 3,5x13mm | 2x |
| E SECURING BRACKET | R ROLLER RUNNER | M SCREW | T GLUE |



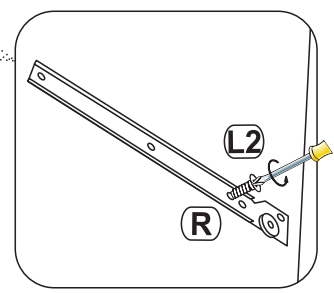
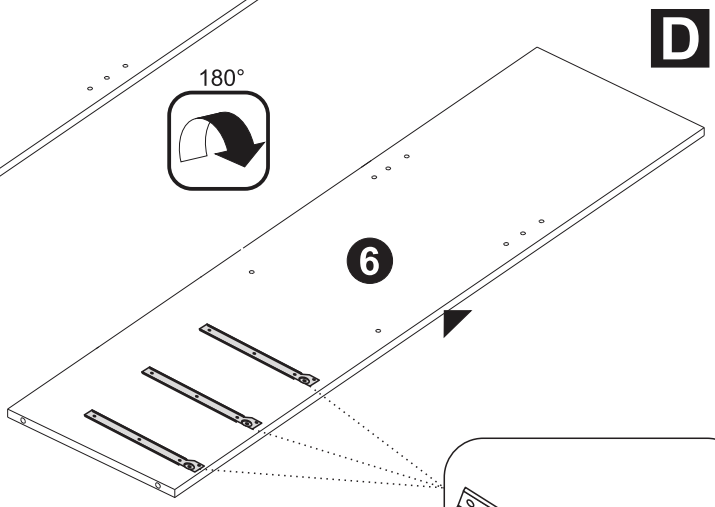
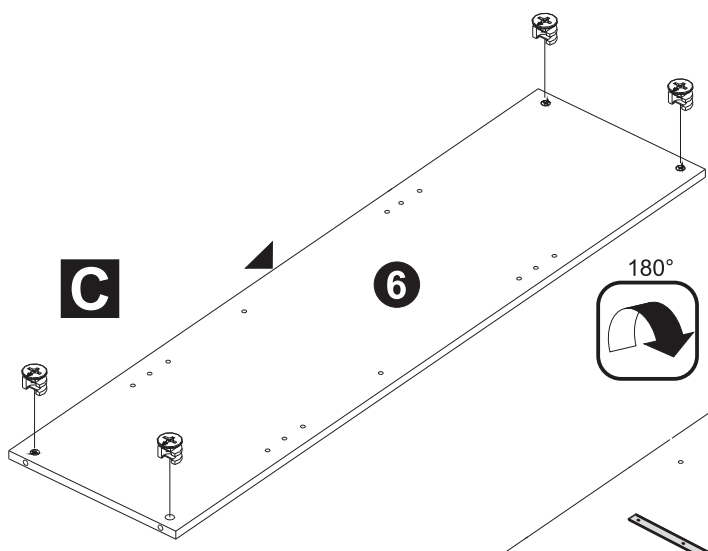
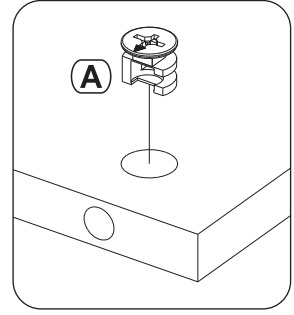
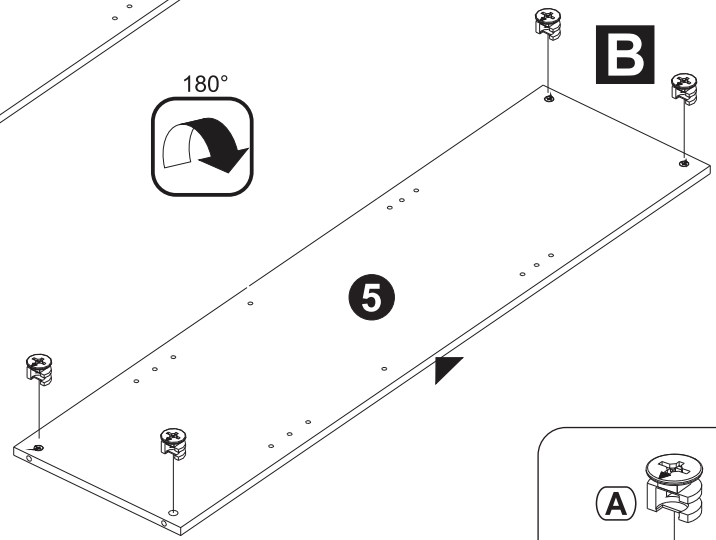
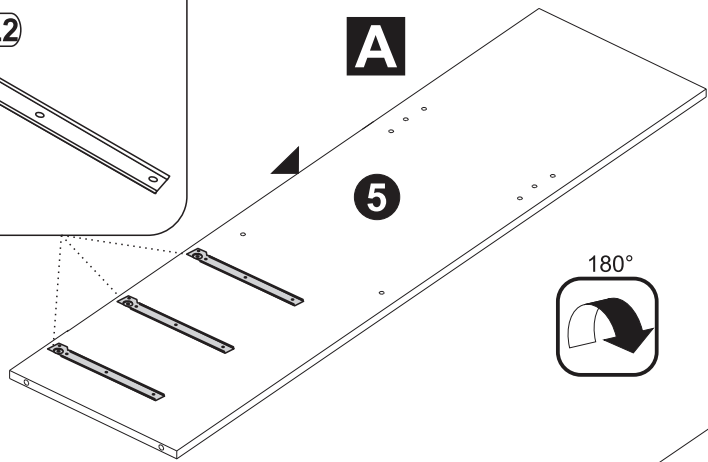
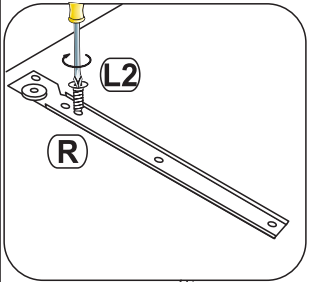
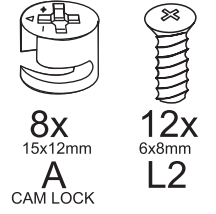
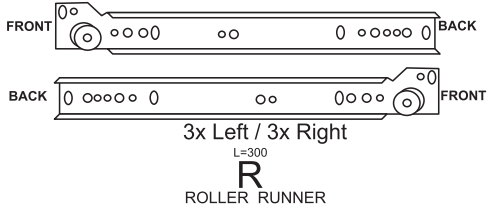
ONCE DRAWER IS ASSEMBLED YOU MUST LEAVE FOR 1 HOUR TO ALLOW GLUE TO SET.

STEP 2

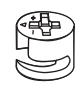

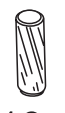
| | | | | |
|--|---|---|---|---|
|  |  |  |  |  |
| 8x H-4 V HINGE PLATE | 10x 3,5x13mm M SCREW | 16x 6,3x13mm L1 GRUB SCREW | 5x P SQUARE | 8x B CAM BOLT |

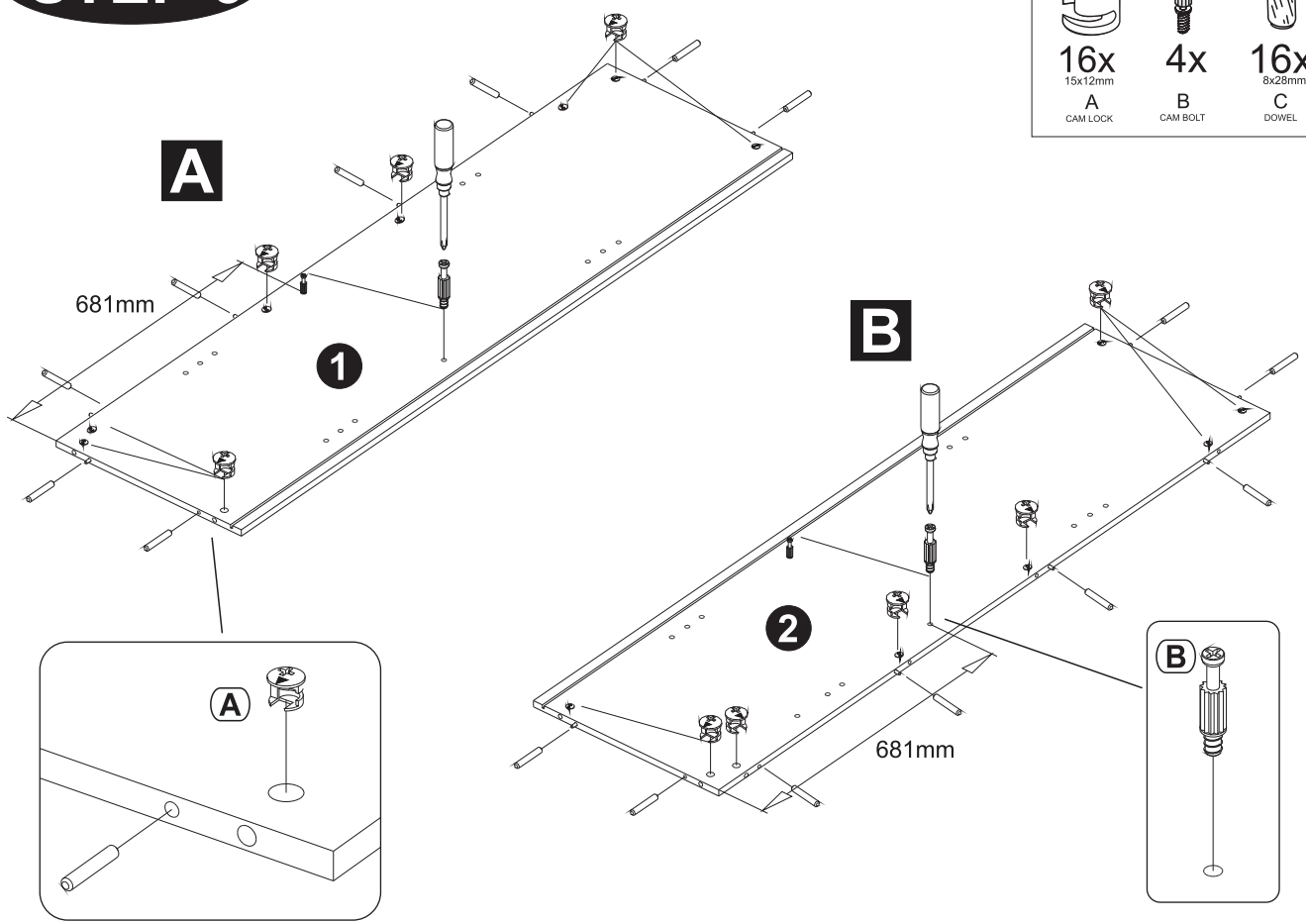


STEP 3

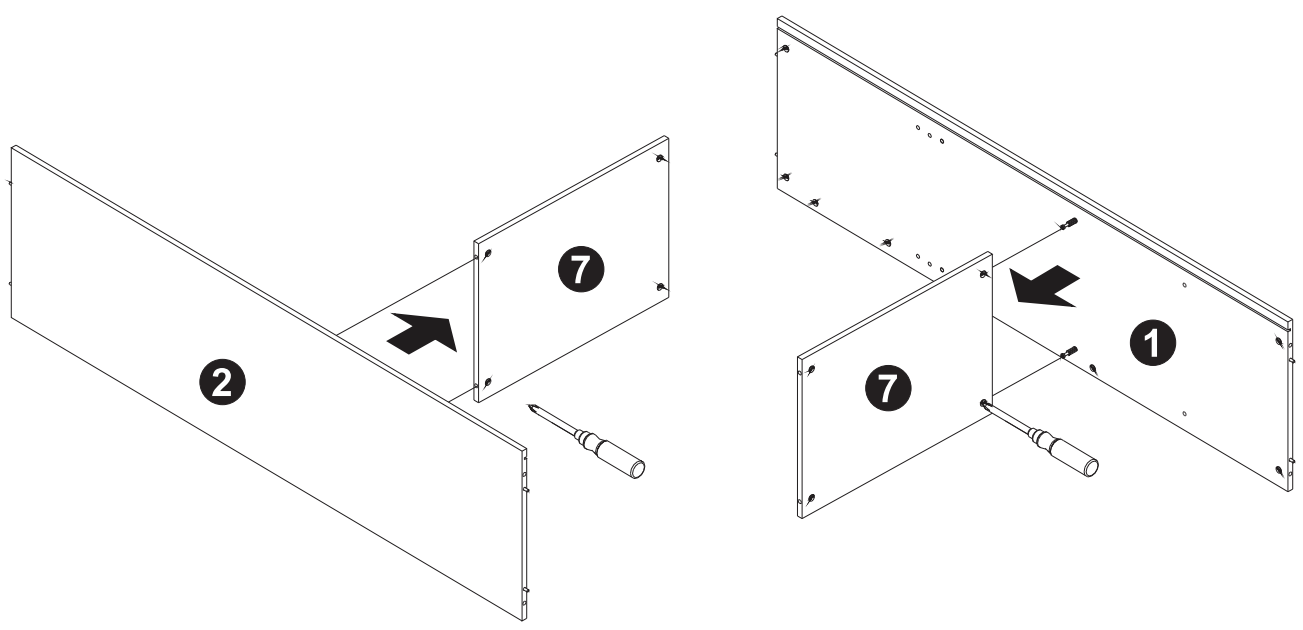
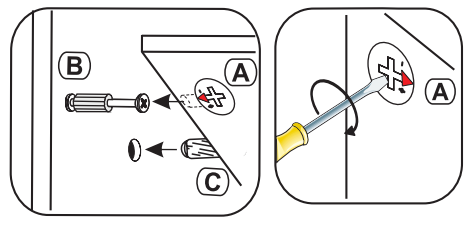


STEP 6

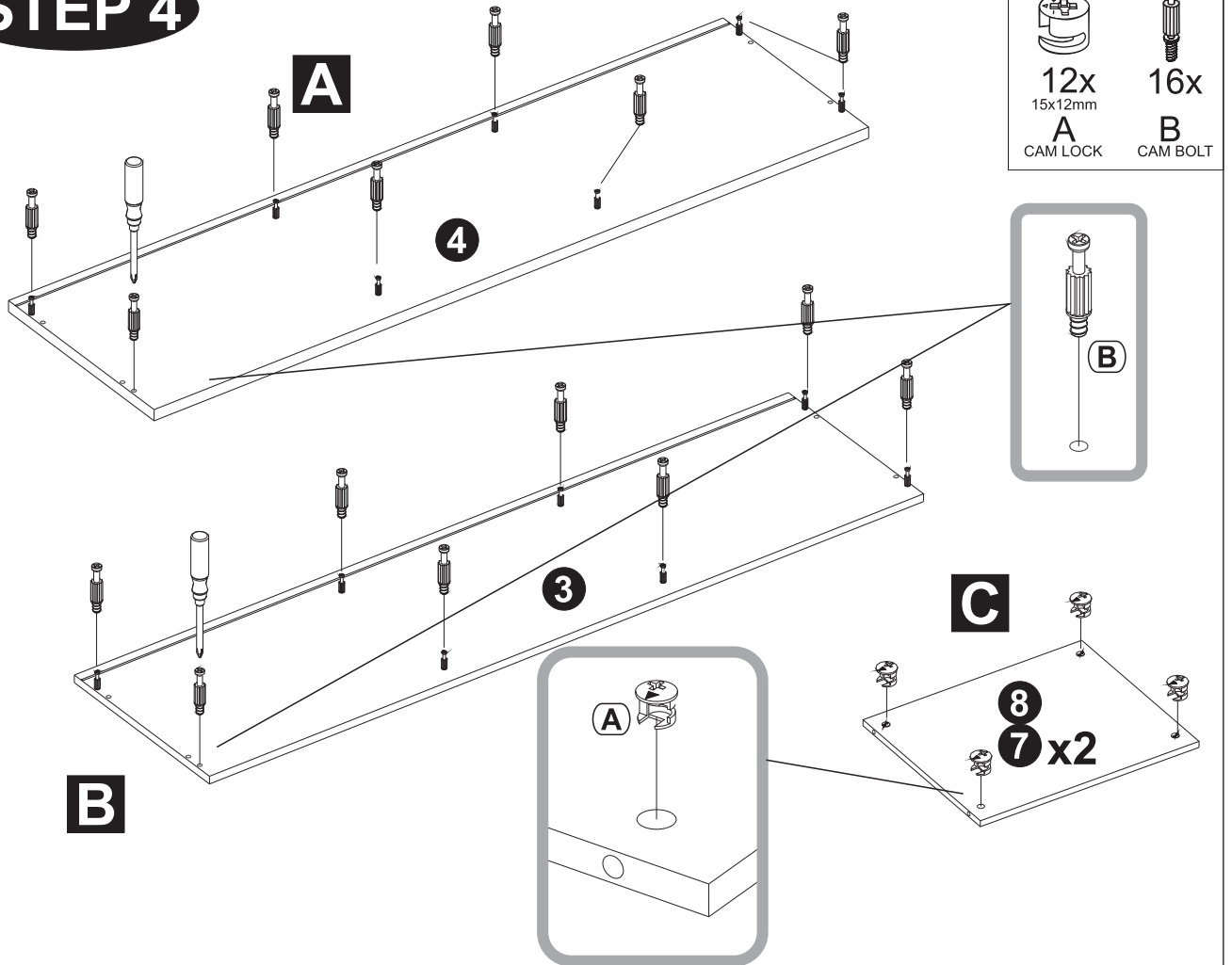
| | | |
|--|--|--|
|  16x 15x12mm A CAM LOCK |  4x B CAM BOLT |  16x 8x28mm C DOWEL |
|--|--|--|



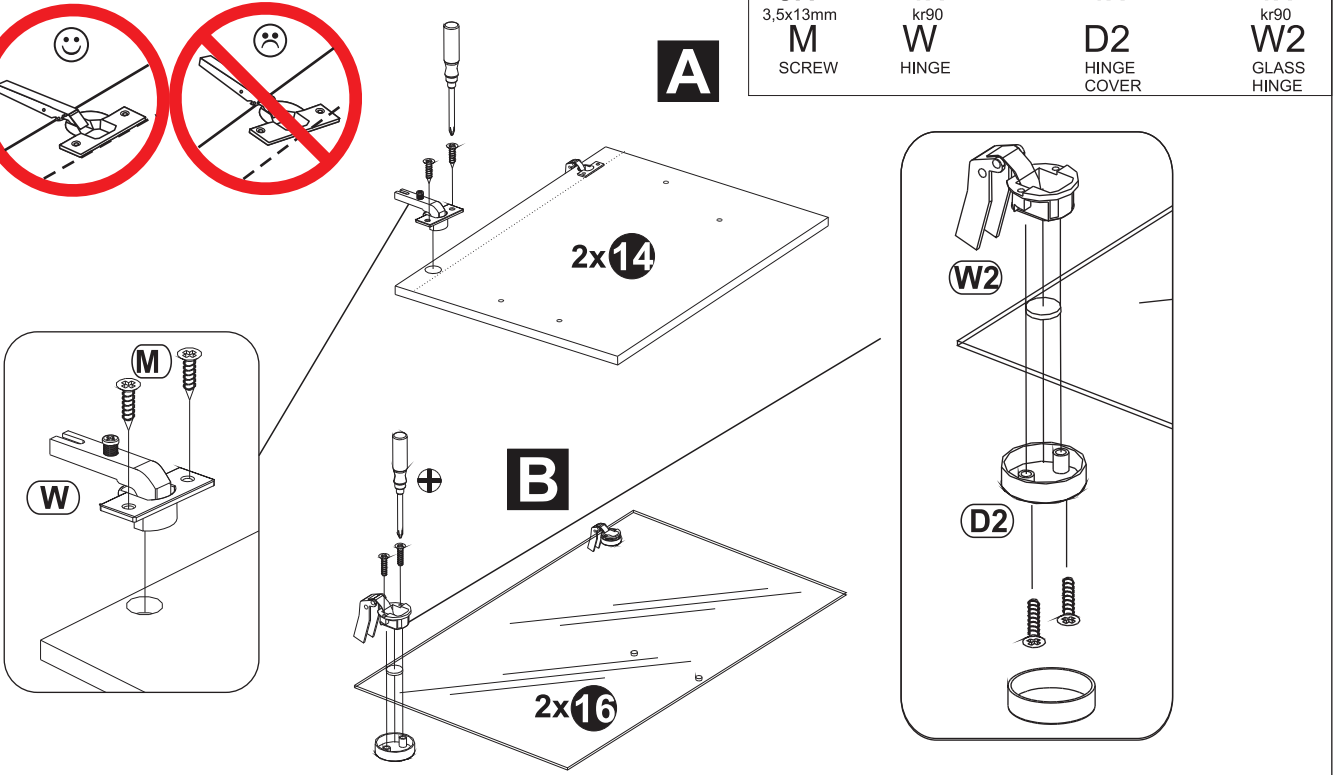
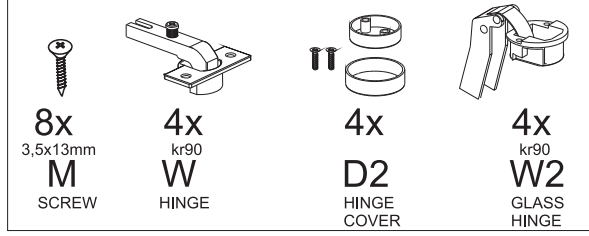
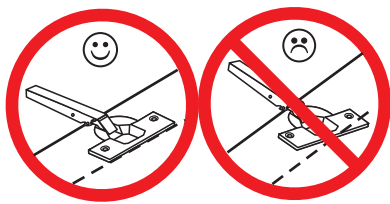
STEP 7



STEP 4

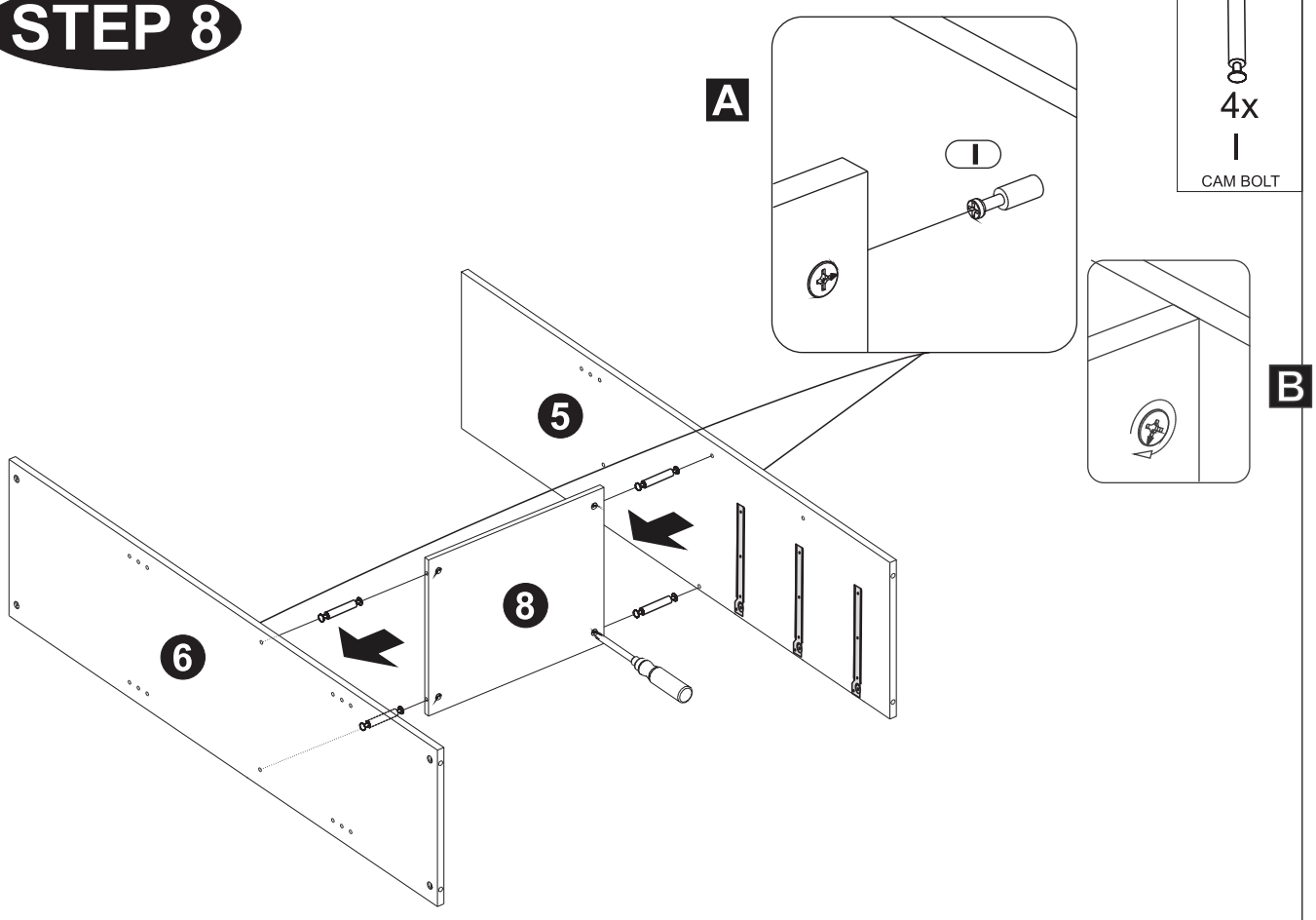


STEP 5

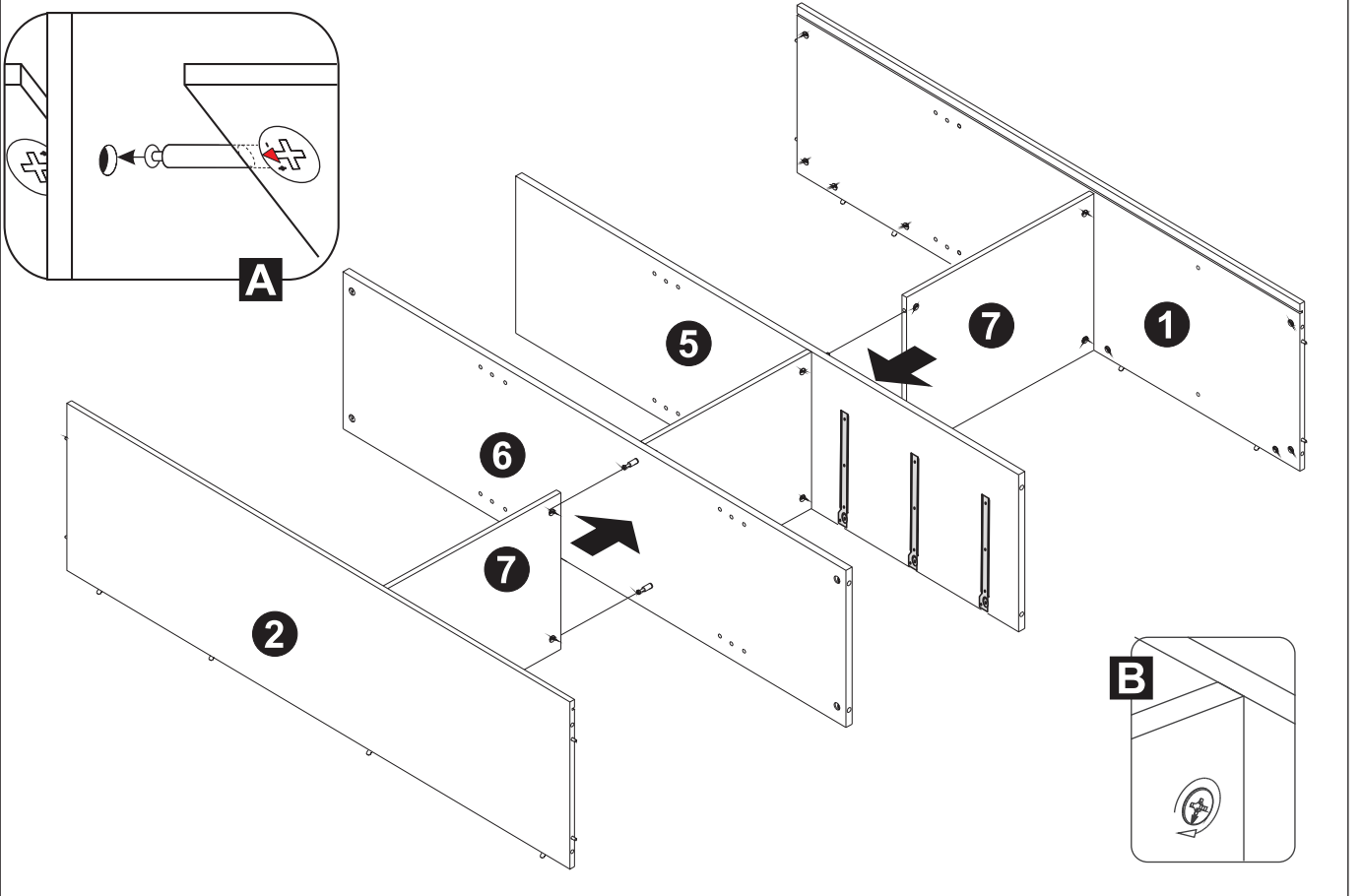


STEP 8

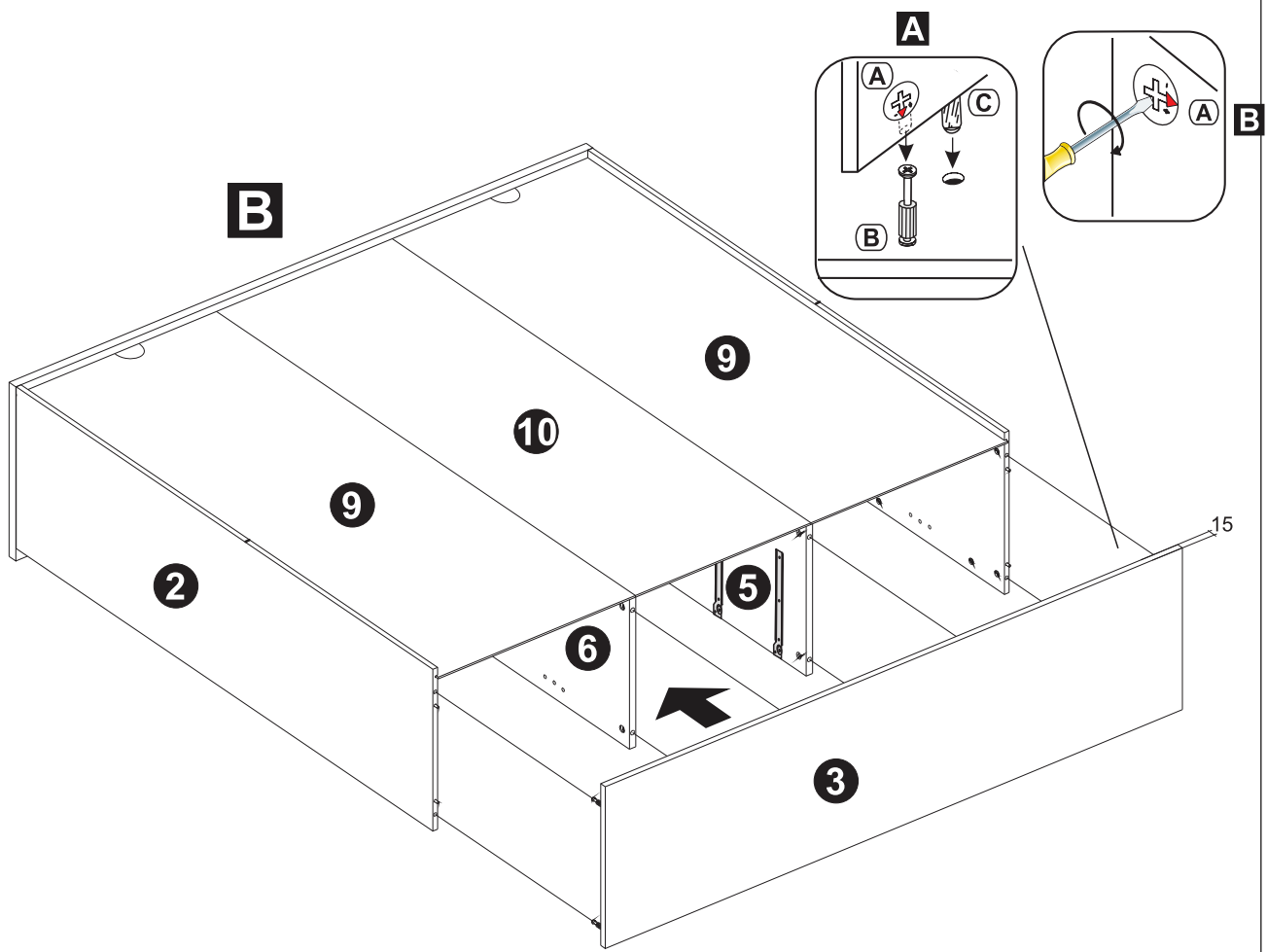
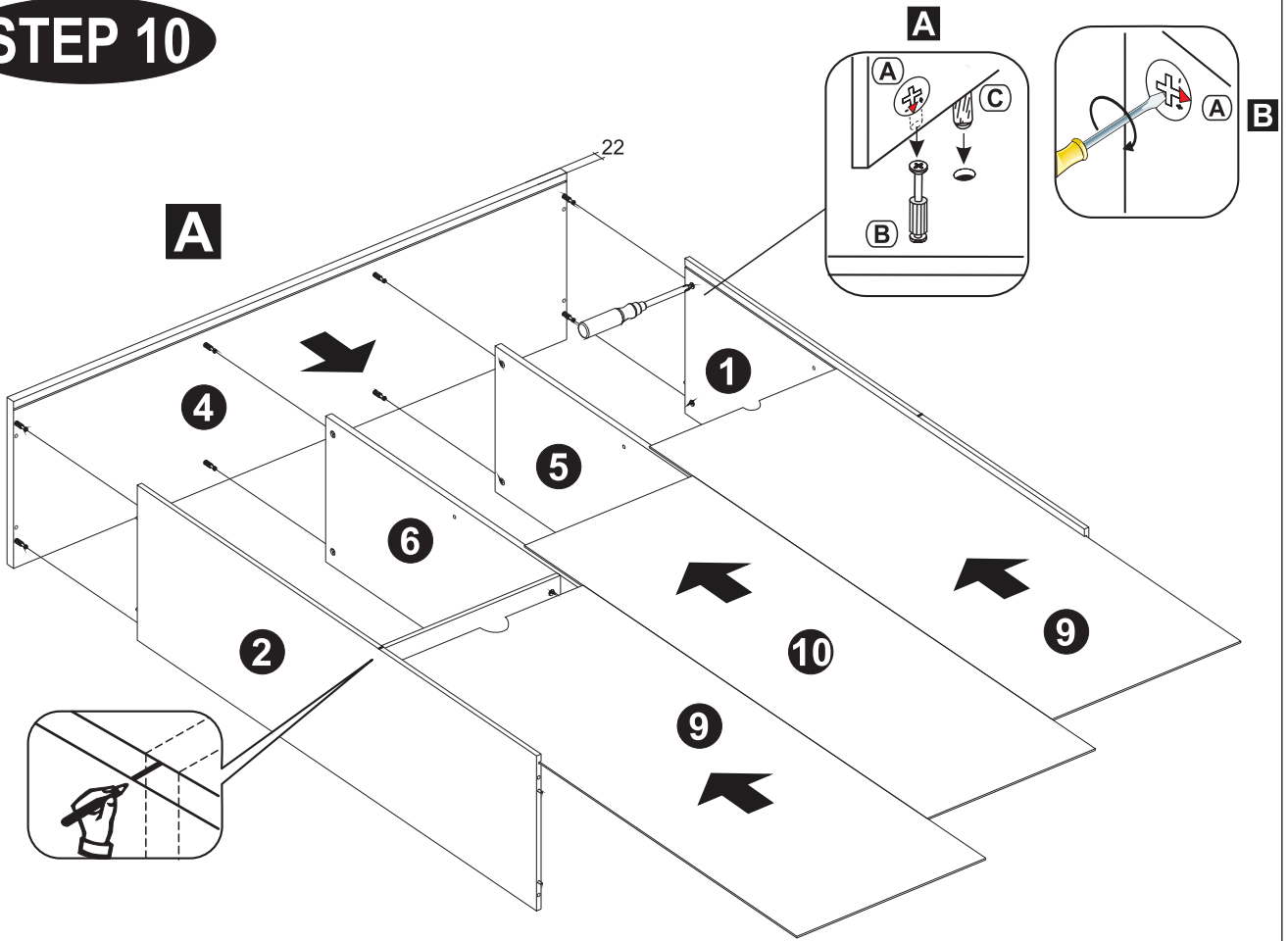
4x
CAM BOLT







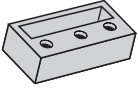
STEP 9

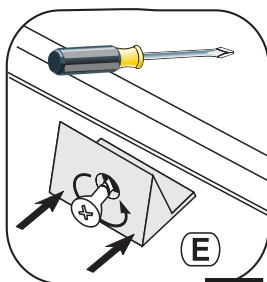
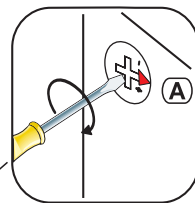
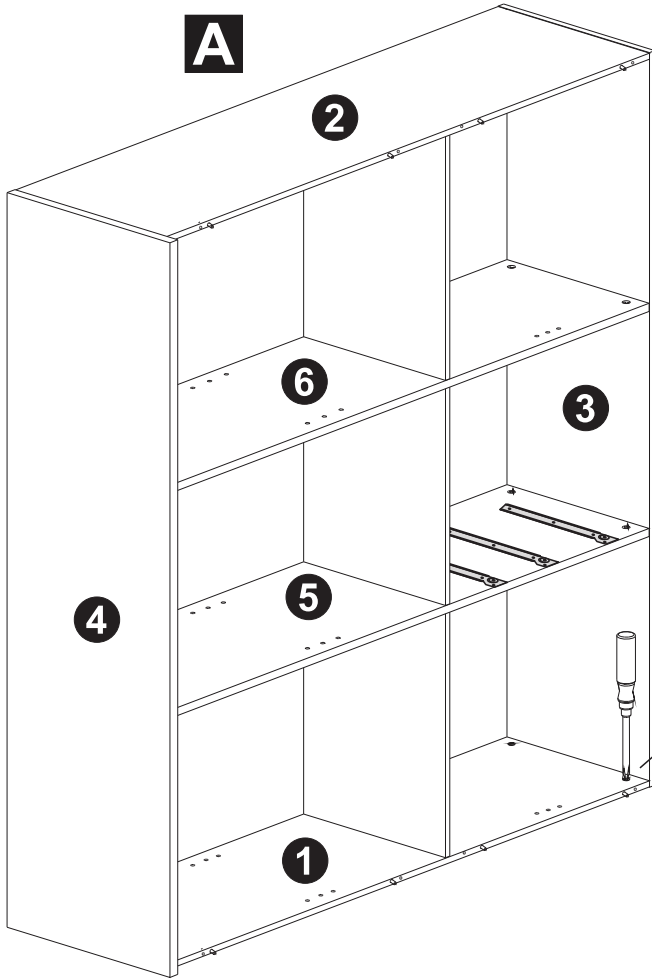


STEP 10

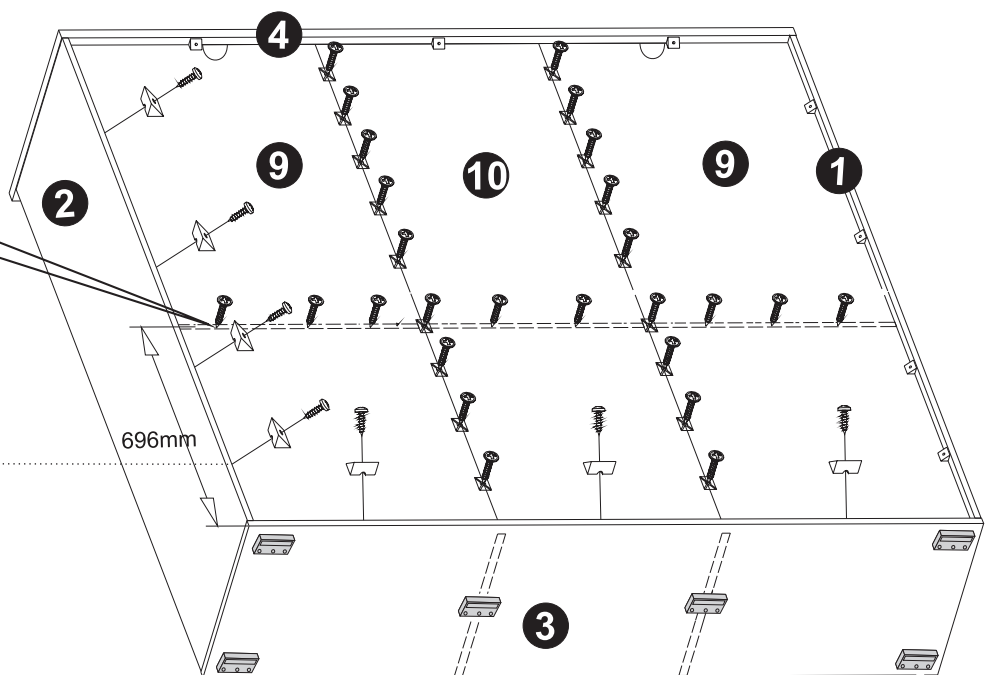


STEP 11


- | | | | | |
|---|---|---|---|---|
|  |  |  |  |  |
| 18x N METAL PLATE | 26x 3x20mm F SCREW | 14x E SECURING BRACKET | 12x 4x40mm S SCREW | 6x L NYLON FOOT |

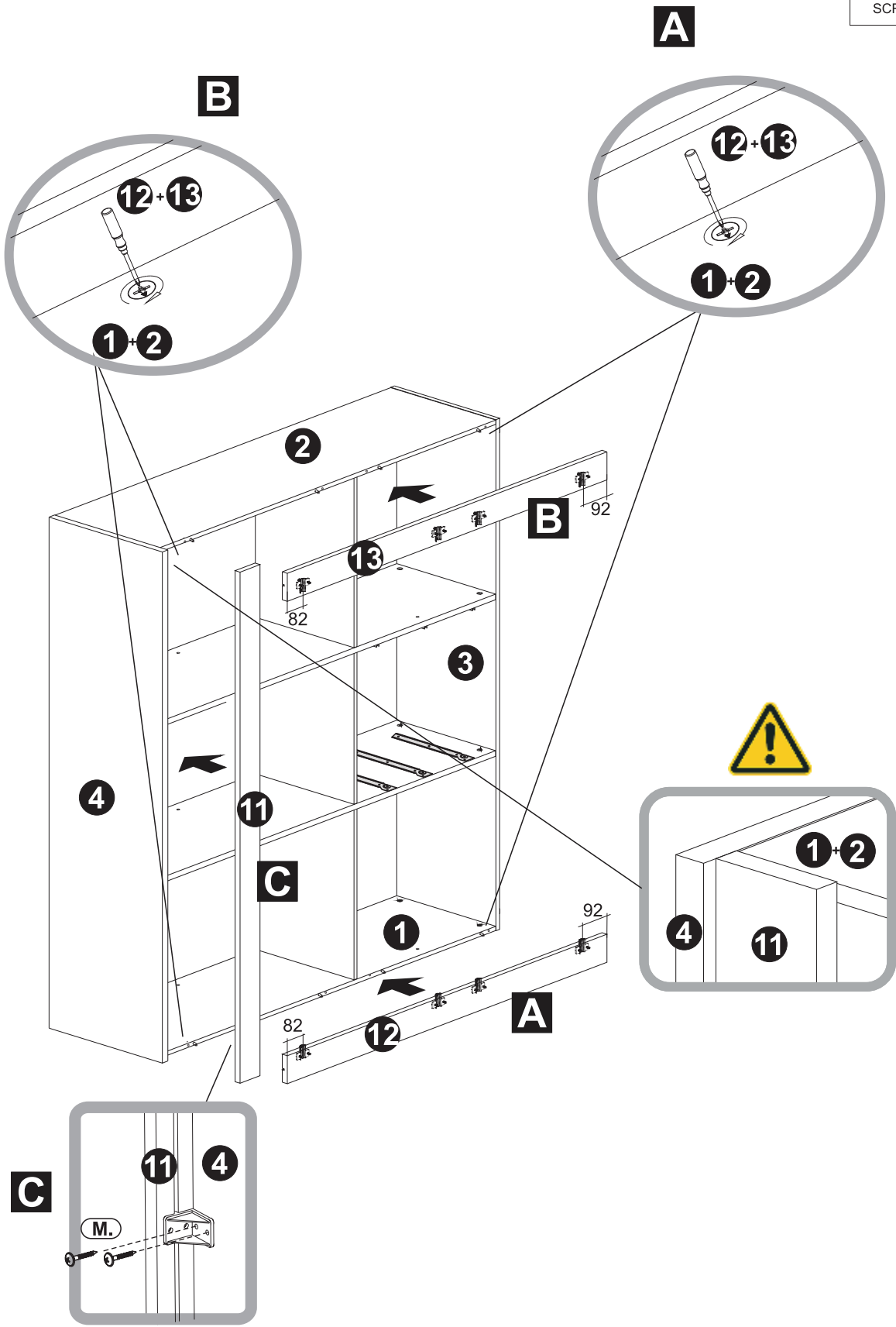


C

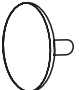

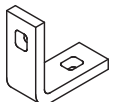

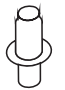
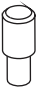


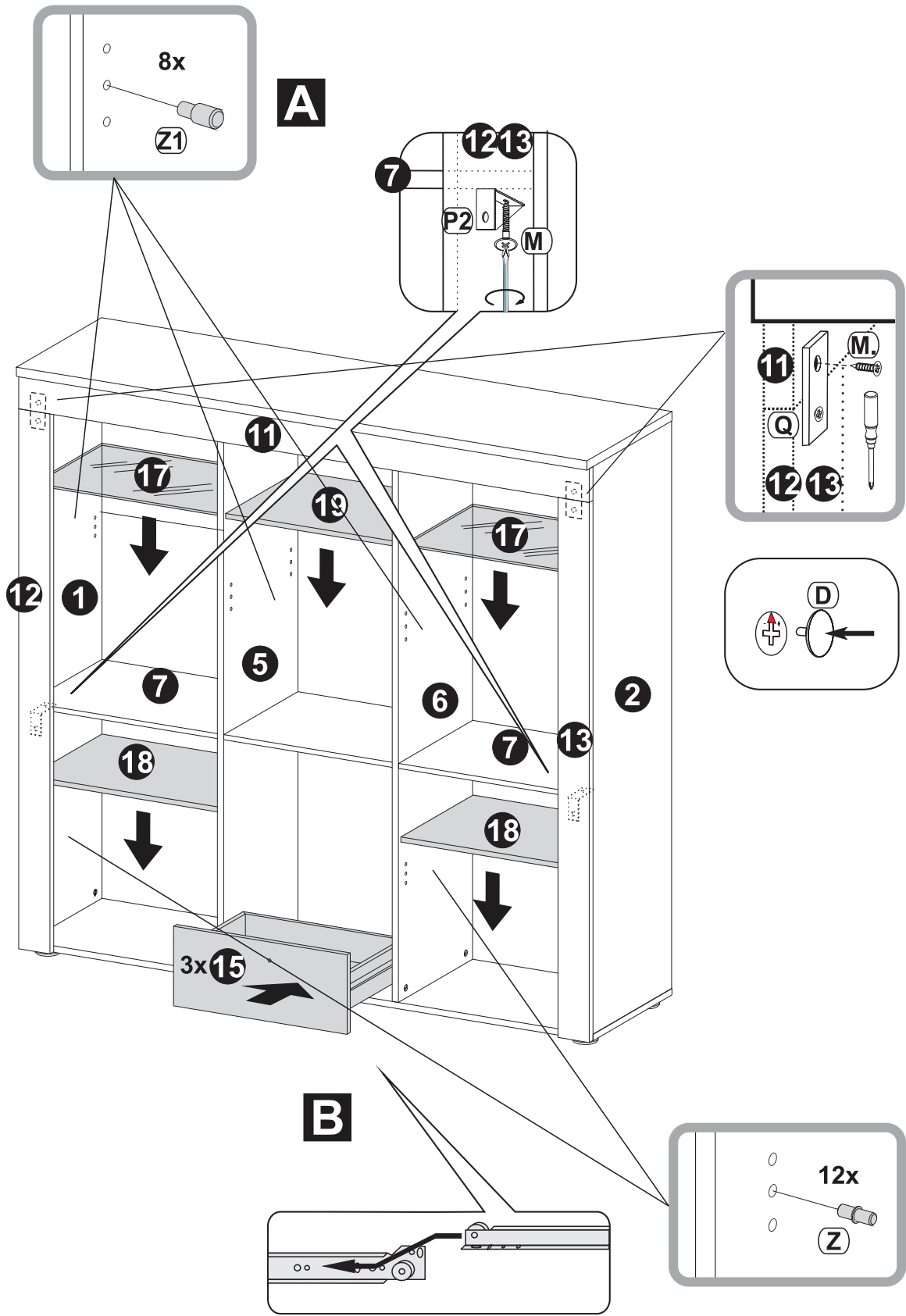
STEP 12


10x
3,5x13mm
M
SCREW

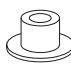

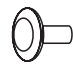
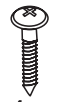
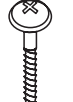

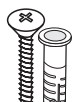




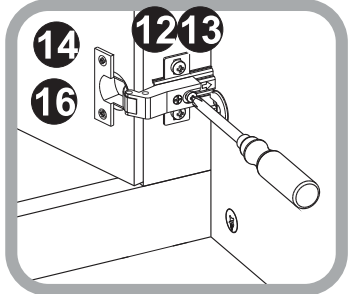
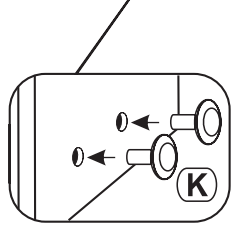
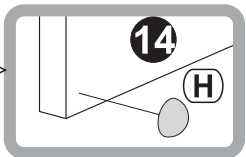
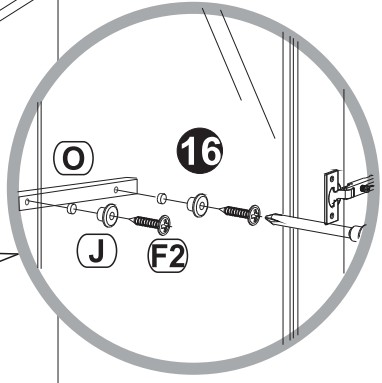
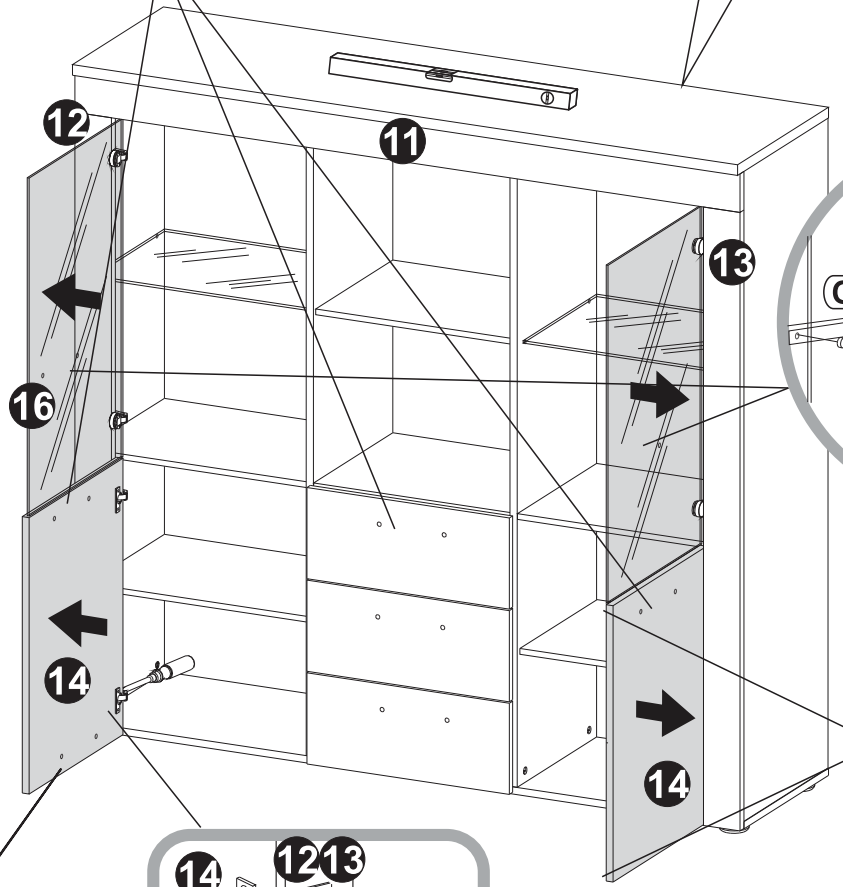
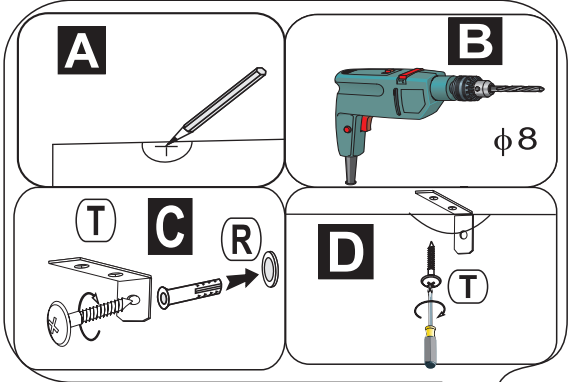
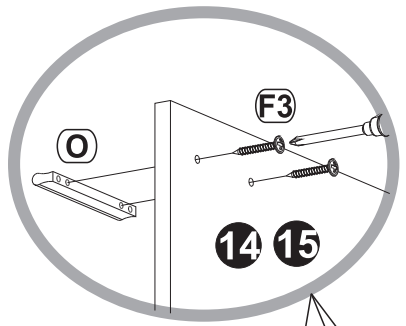
STEP 13

| | | | | | |
|---|--|---|---|---|---|
|  |  |  |  |  |  |
| 36x | 2x | 2x | 8x 3,5x13mm | 12x 5x16mm | 8x 5x16mm |
| D CAM COVER | Q METAL PLATE | P2 SQUARE | M SCREW | Z SHELF SUPPORT | Z1 SHELF GLASS SUPPORT |



STEP 14

- | | | | | | | | | |
|---|---|---|--|---|---|---|---|---|
|  |  |  |  |  |  |  |  |  |
| 4x | 4x | 4x | 4x | 10x | 7x | 1x | 1x | 2x |
| J | H | K | F2 | F3 | O | R | T | X |
| SLEEVE GLASS | PEG | COVER CAP | SCREW | SCREW | HANDLE | PLASTIC DOWEL | ANGLE | |



STEP 15

