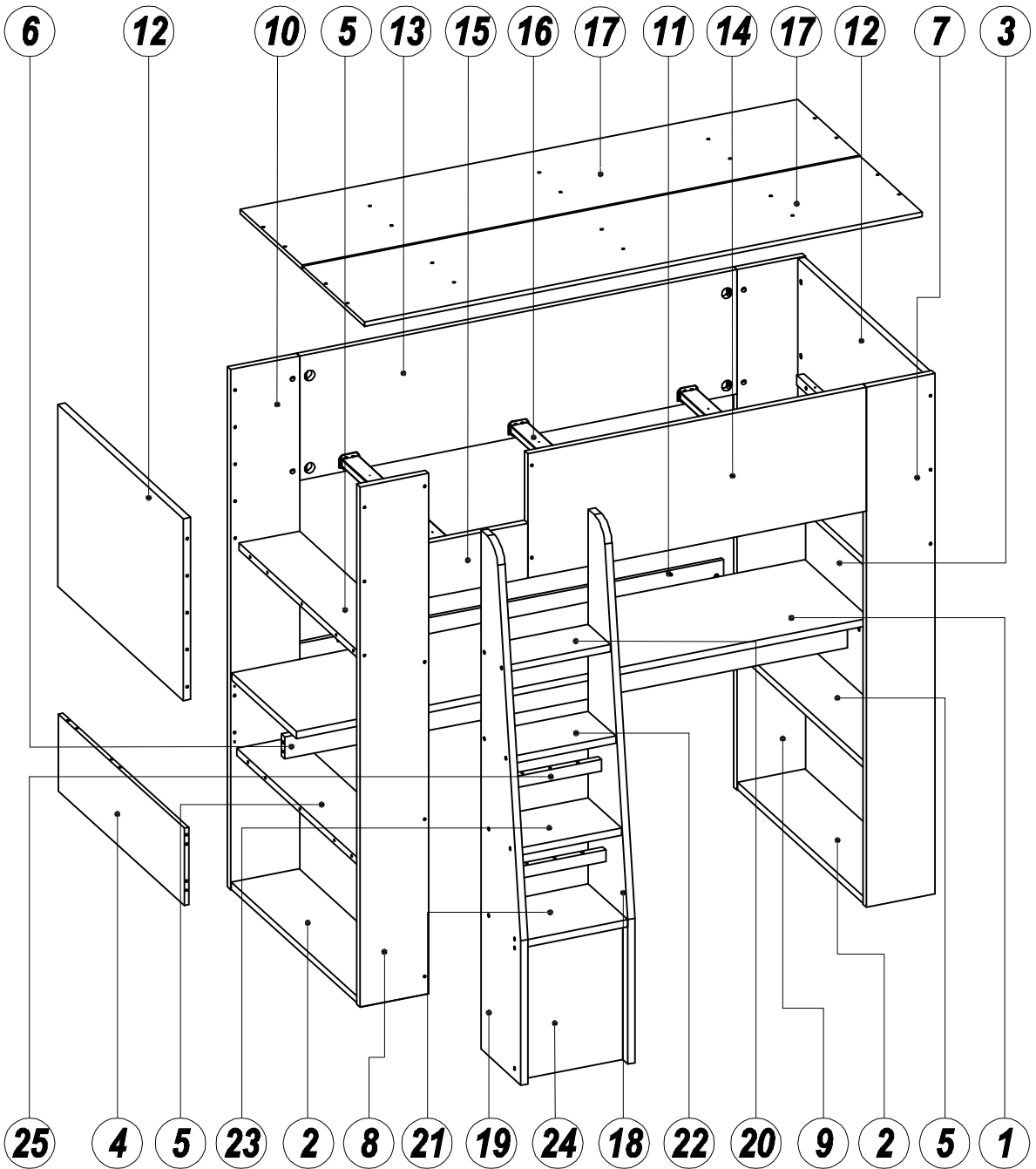
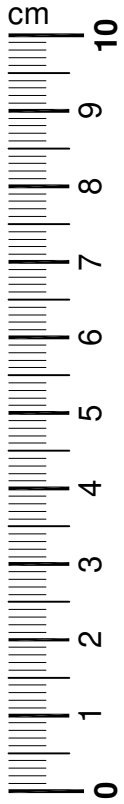
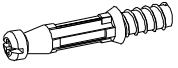

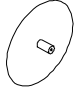

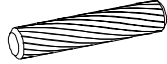





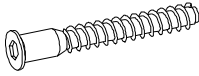
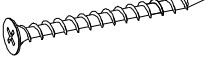


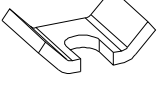




# NEMOS LVF

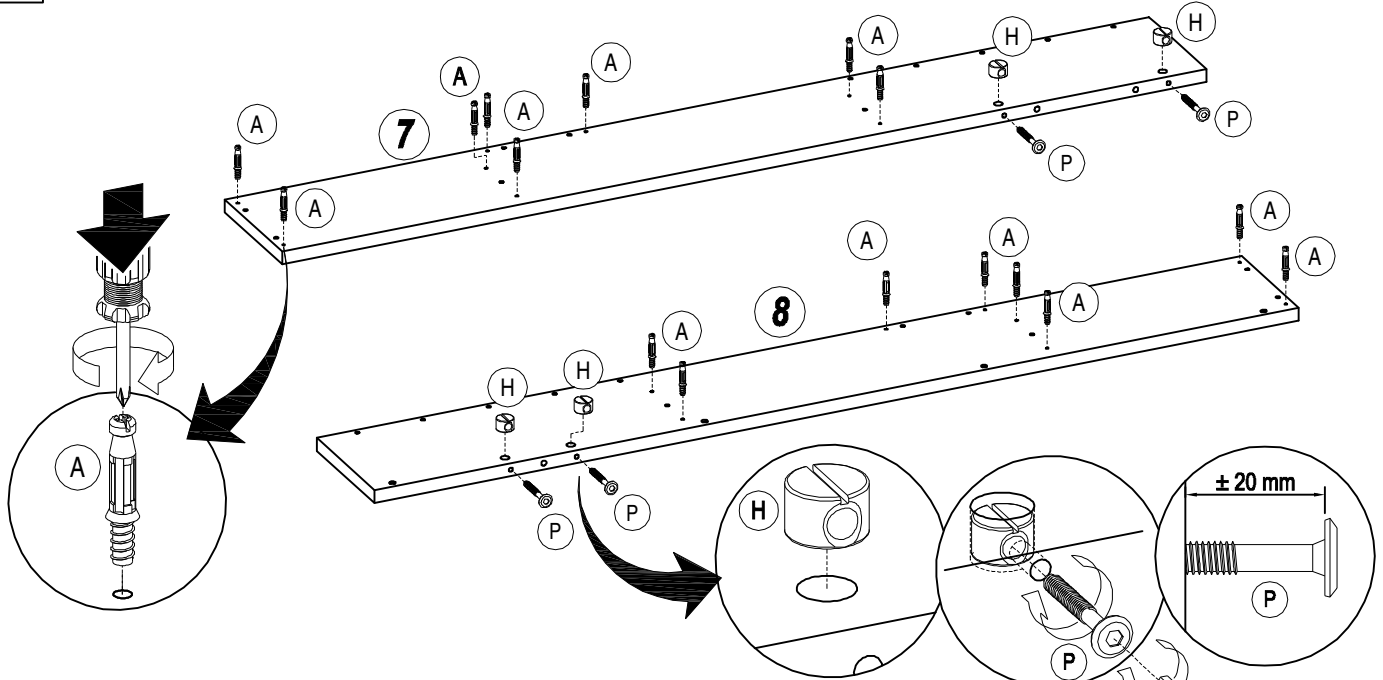


1. WARNING: TOP BUNKS AND ELEVATED BUNKS BEDS ARE DANGEROUS AND ARE NOT RECOMMENDED FOR CHILDREN UNDER THE AGE OF 9

2. WARNING: THE UPPER BUNK MUST BE MORE THAN 2 METERS FROM ANY CEILING FAN

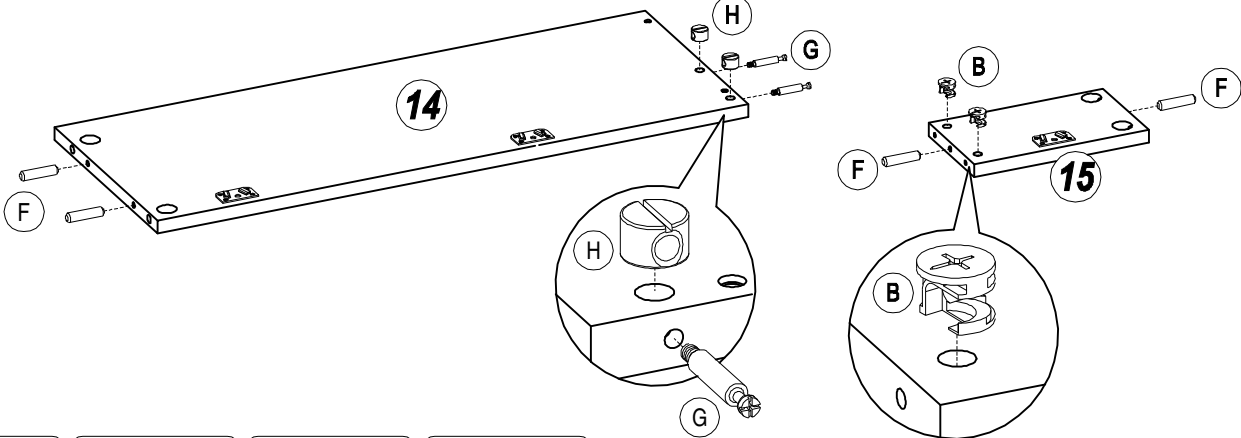
<p><b>A</b> x 53</p> 	<p><b>B</b> x 59</p> 	<p><b>C</b> x 17</p> 	<p><b>D</b> x 74</p>  <p>Ø7.8 X 32 mm</p>	<p><b>E</b> x 4</p>  <p>Ø7.8 X 40 mm</p>	<p><b>F</b> x 8</p>  <p>Ø9.8 X 40 mm</p>
<p><b>G</b> x 6</p>  <p>Ø7 X 34 mm</p>	<p><b>H</b> x 26</p> 	<p><b>J</b> x 42</p> 	<p><b>K</b> x 1</p> 	<p><b>L</b> x 29</p> 	<p><b>M</b> x 8</p>  <p>Ø3.5 X 37 mm</p>
<p><b>N</b> x 12</p>  <p>Ø3.5 X 25 mm</p>	<p><b>P</b> x 20</p>  <p>Ø6 X 60 mm</p>	<p><b>Q</b> x 8</p> 	<p><b>R</b> x 26</p>  <p>Ø25 mm</p>	<p><b>S</b> x 8</p>  <p>Ø50 mm</p>	

1



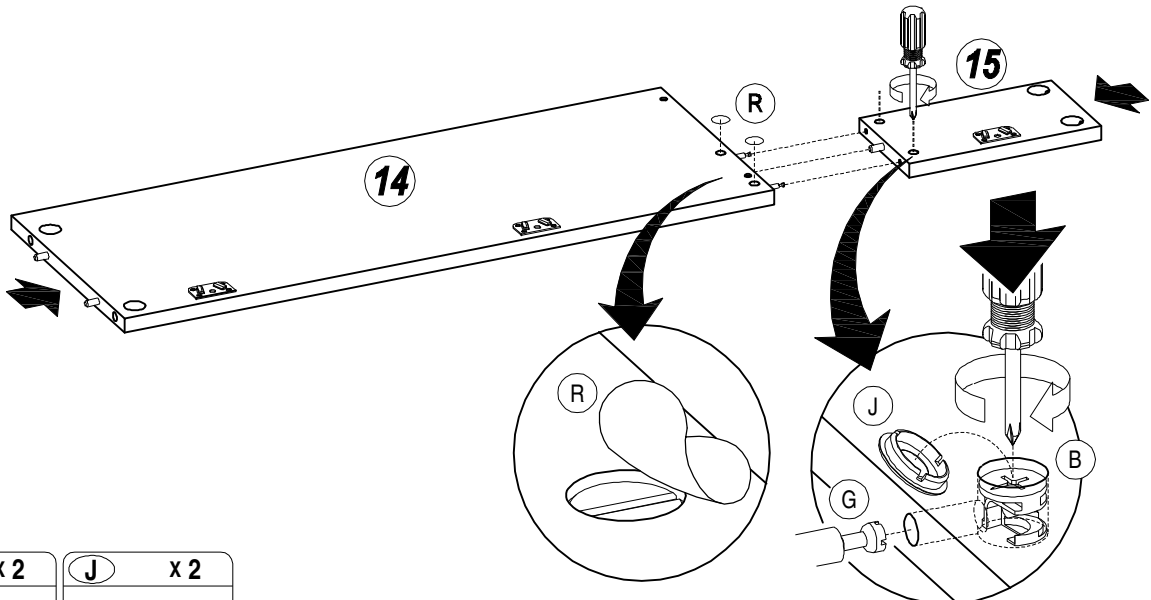
<b>A</b> x 16	<b>H</b> x 4	<b>P</b> x 4	<b>K</b> x 1
		 Ø6 X 60 mm	

2



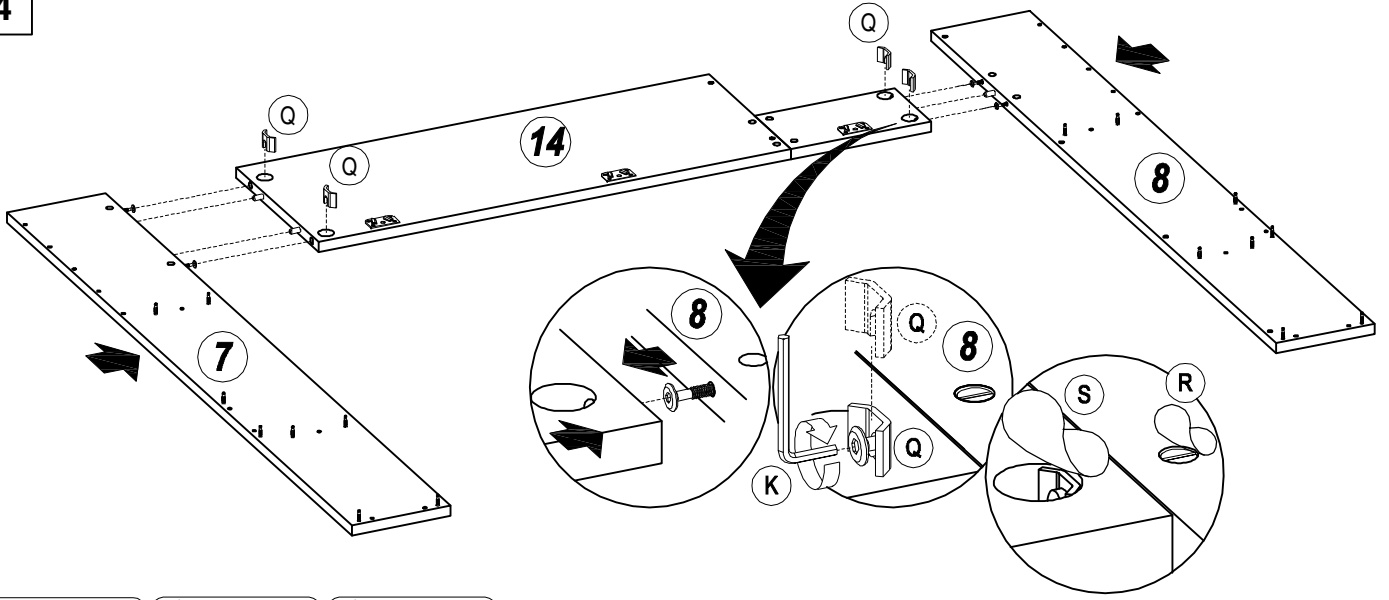
<b>B</b> x 2	<b>F</b> x 4	<b>G</b> x 2	<b>H</b> x 2
	 Ø9.8 X 40 mm	 Ø7 X 34 mm	

3



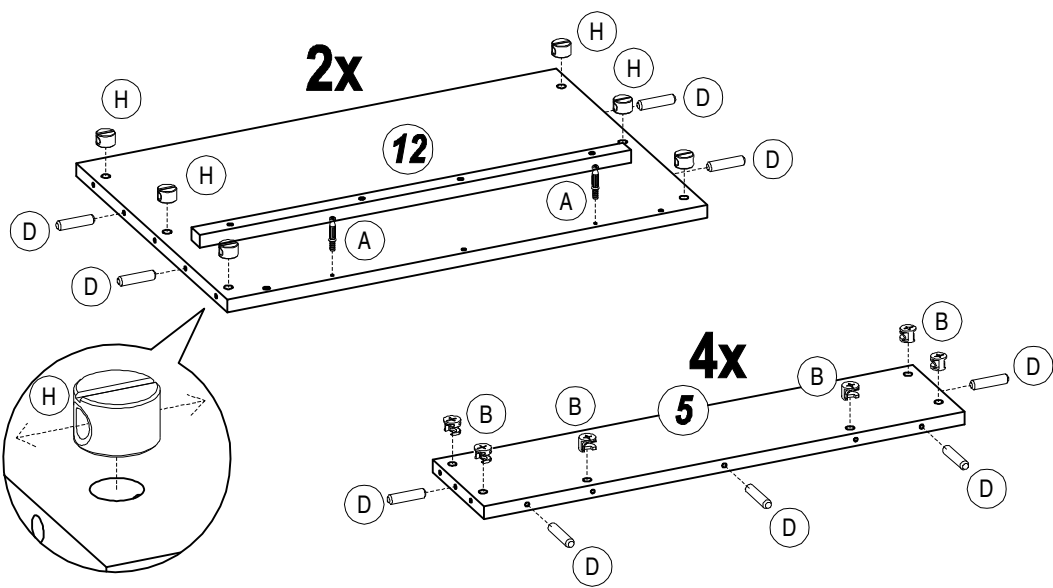
<b>R</b> x 2	<b>J</b> x 2
 Ø25 mm	

4



<b>Q</b> x 4	<b>R</b> x 4	<b>S</b> x 4
	Ø25 mm	Ø50 mm

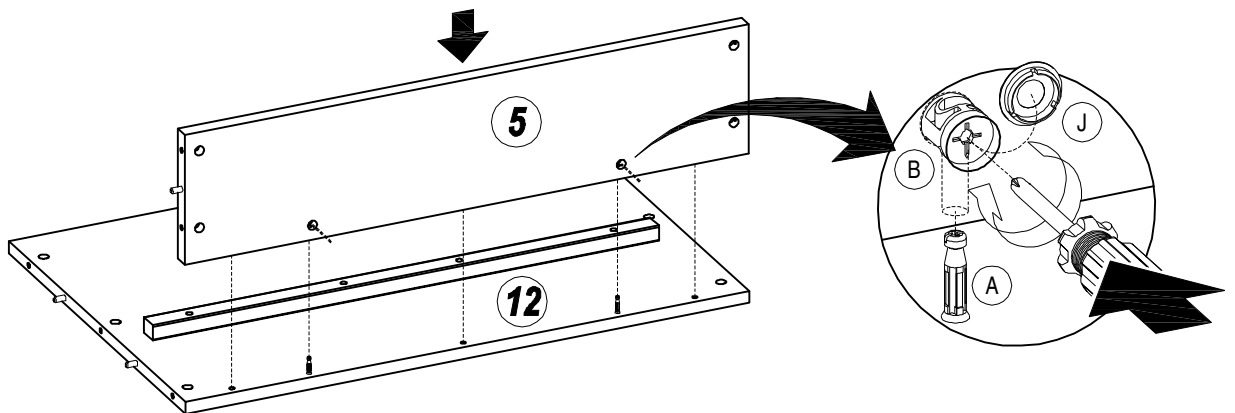
5



<b>A</b> x 4	<b>B</b> x 24	<b>D</b> x 28	<b>H</b> x 12
		Ø7.8 X 32 mm	

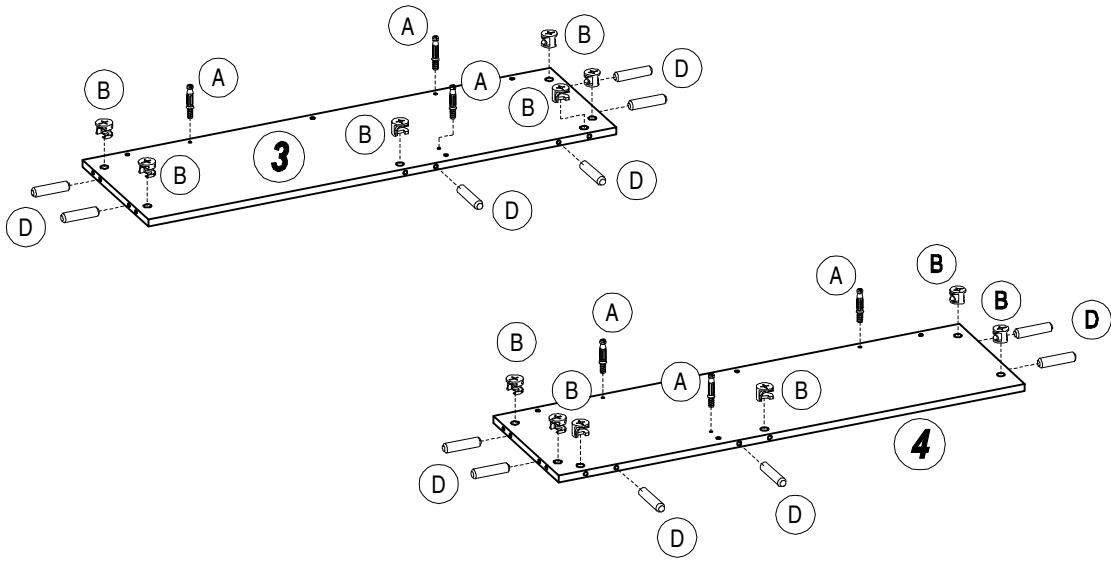
6

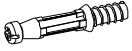


2x



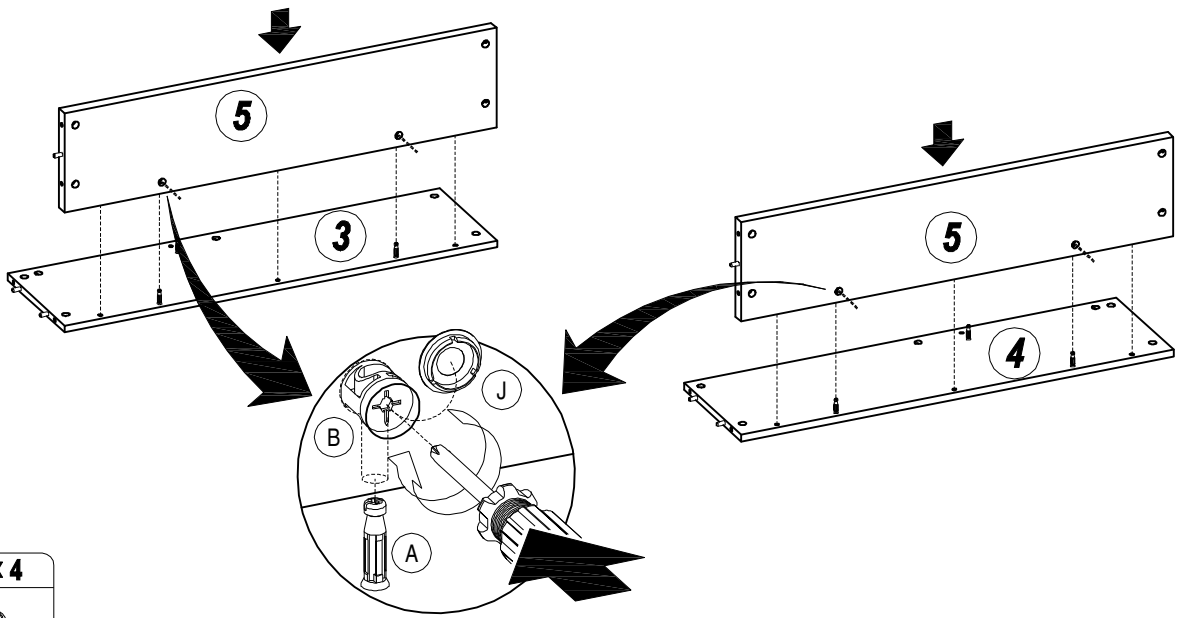
<b>J</b> x 4


7



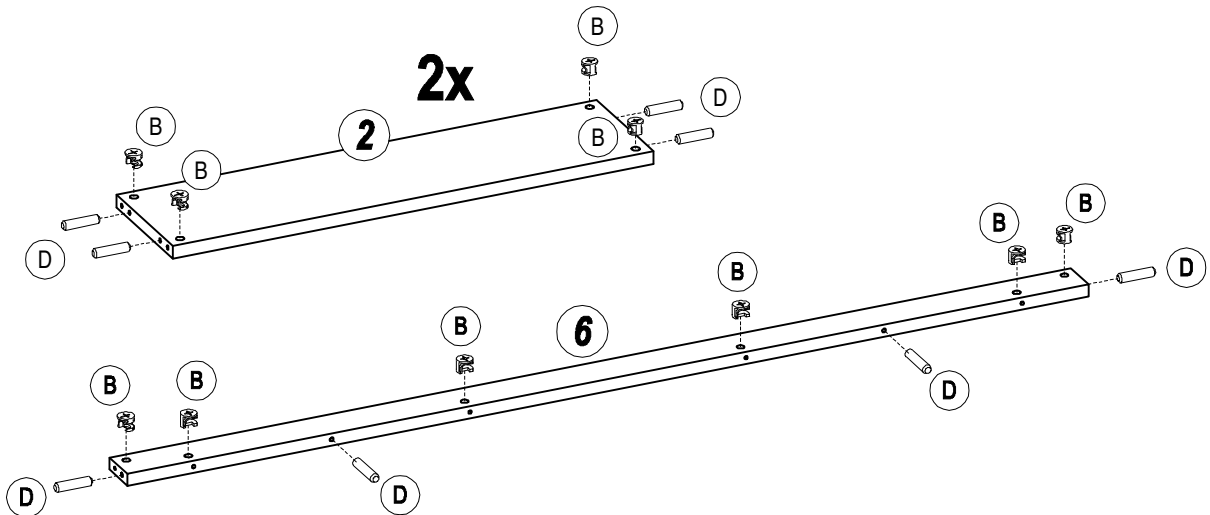
<b>A</b> X 6	<b>B</b> X 12	<b>D</b> X 12
		
		Ø7.8 X 32 mm


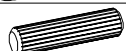
8



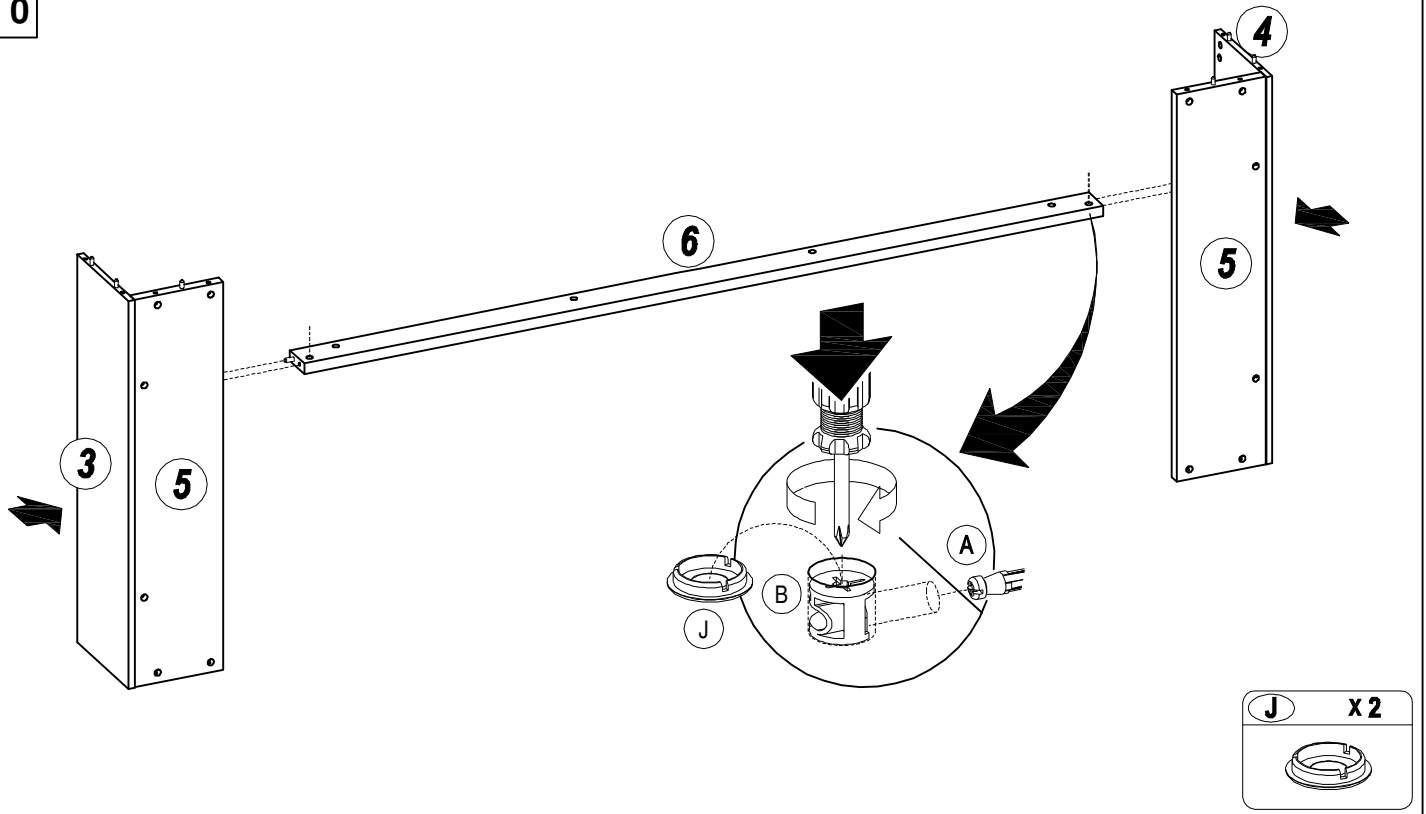
<b>J</b> X 4


9



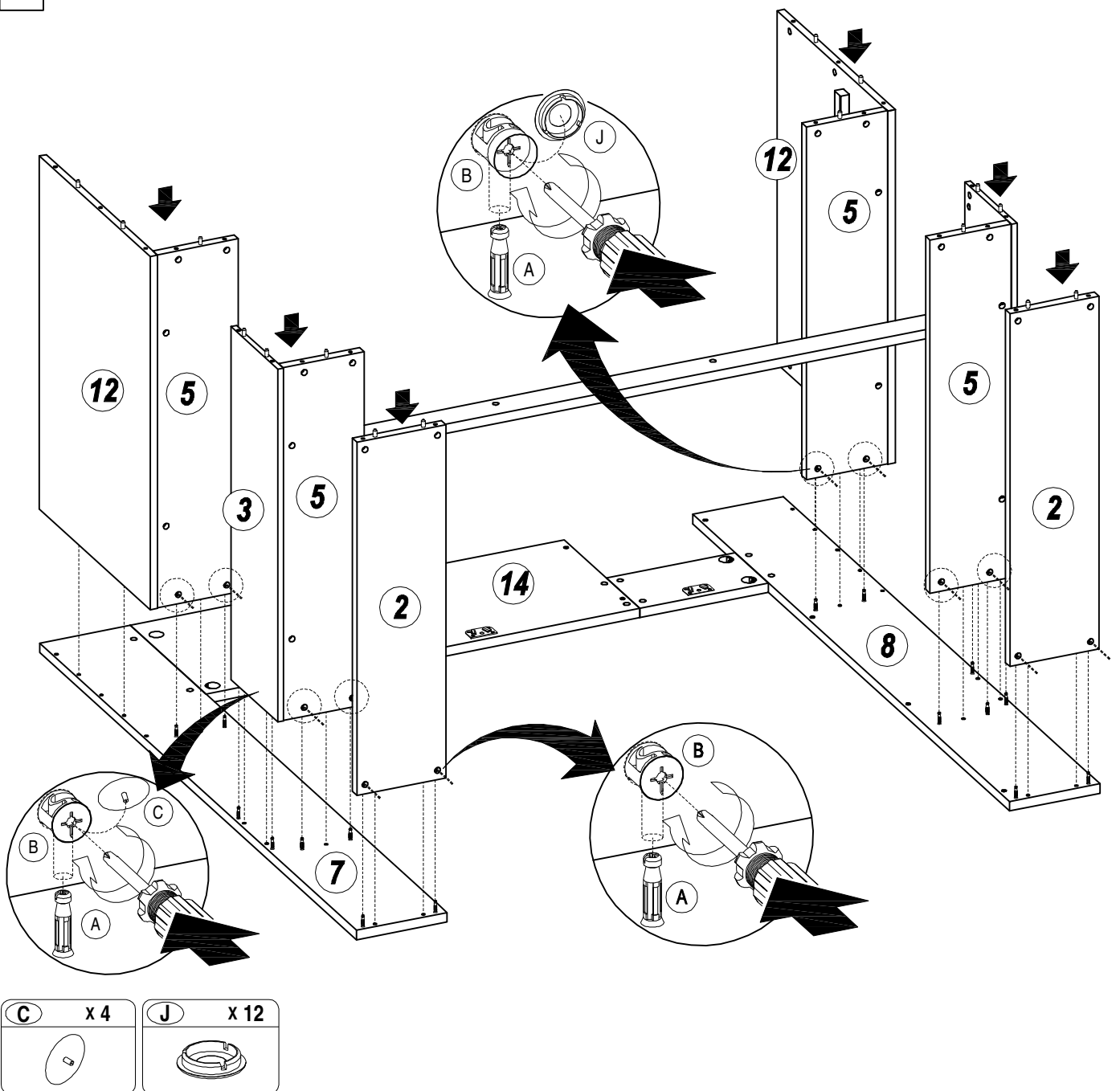
<b>B</b> X 14	<b>D</b> X 12
	
	Ø7.8 X 32 mm

10



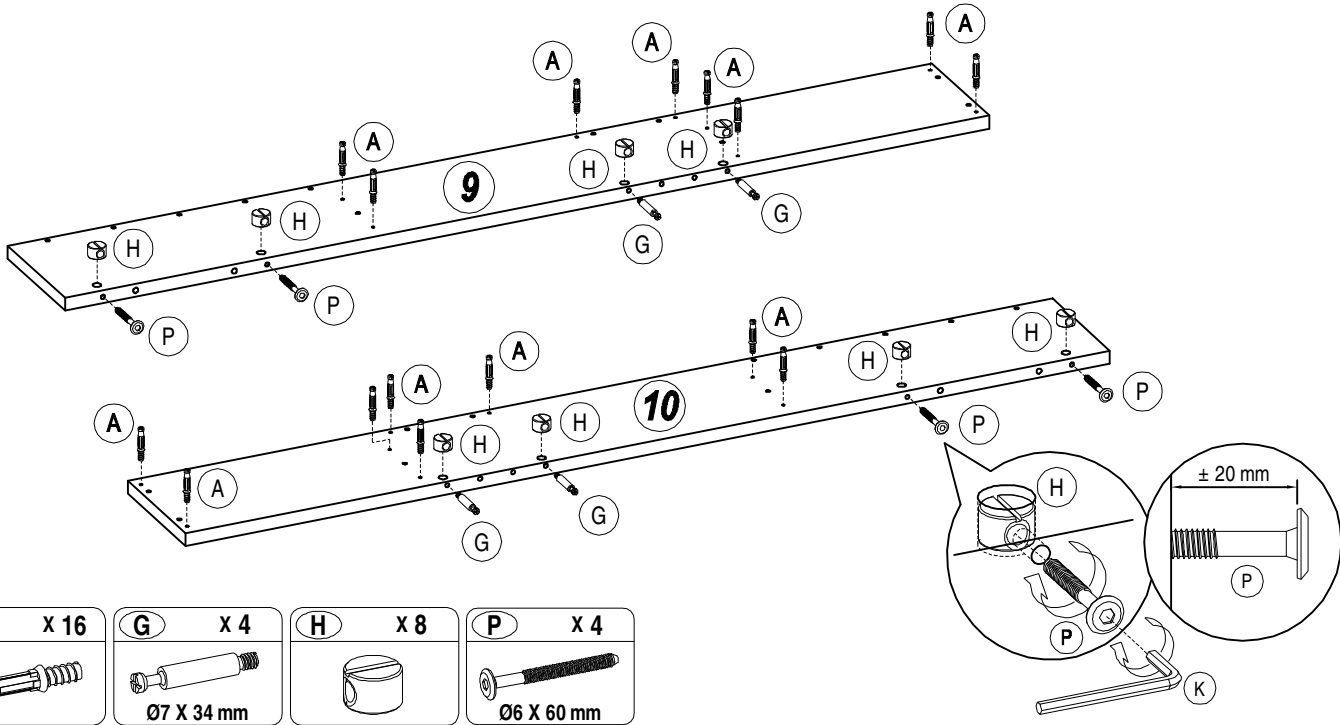
J	x 2

11



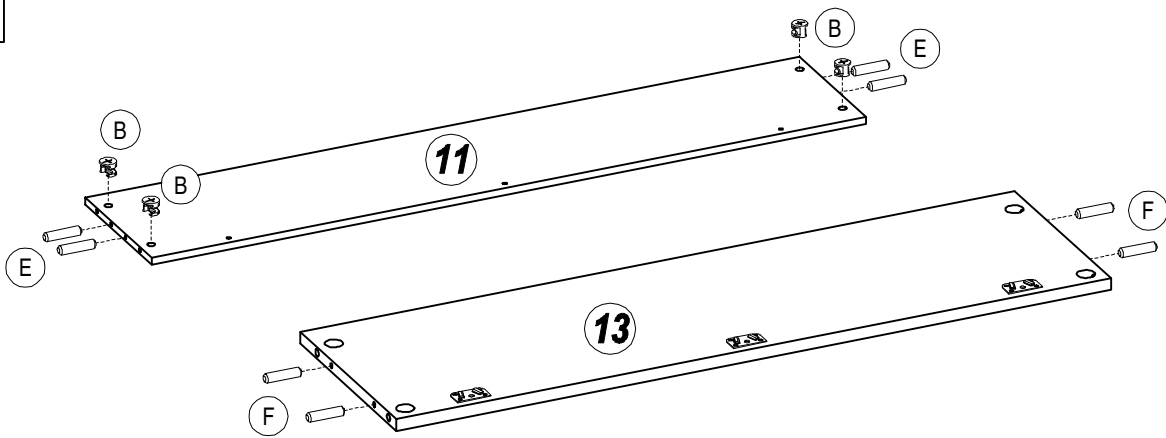
C	x 4	J	x 12

12



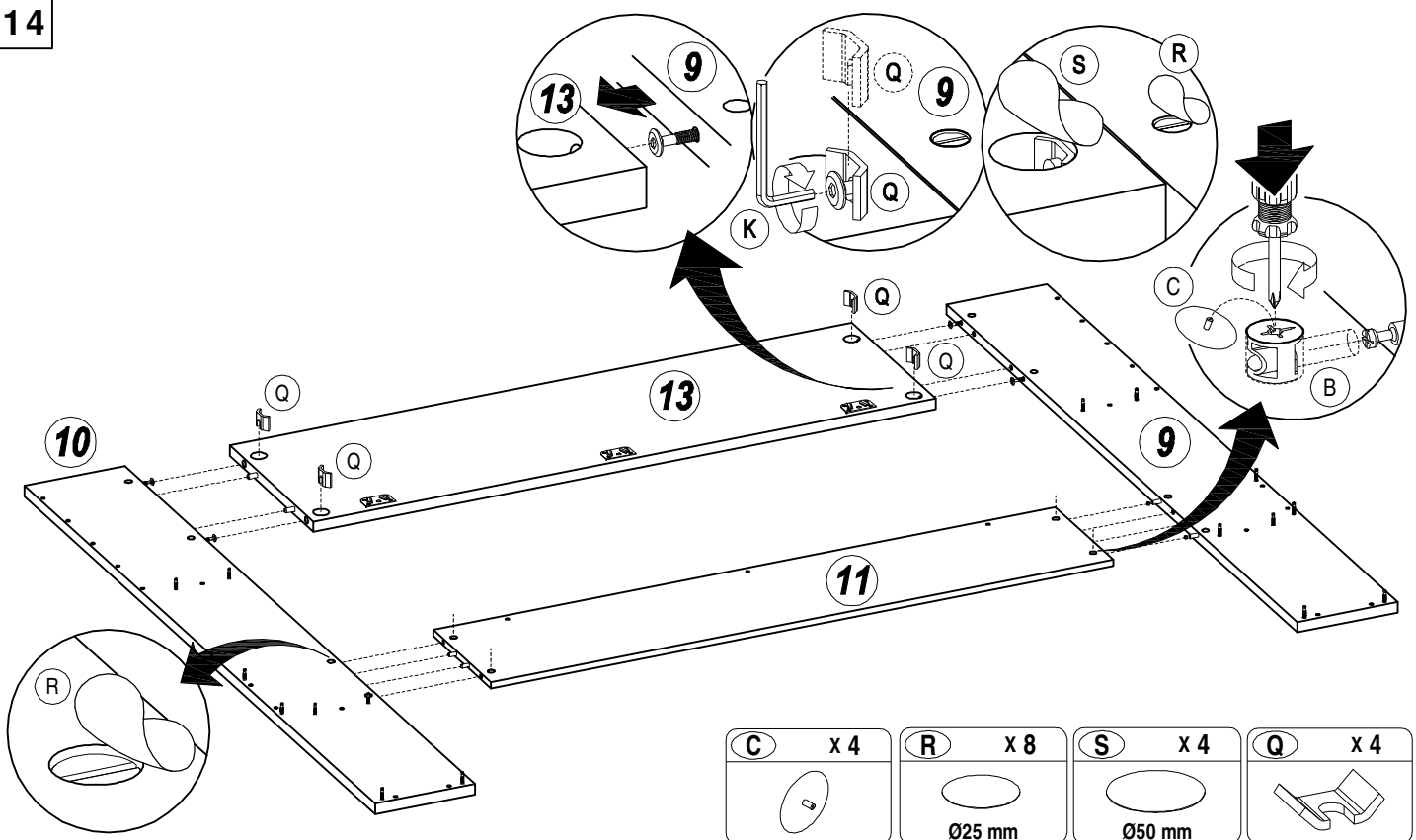
<b>A</b> x 16	<b>G</b> x 4	<b>H</b> x 8	<b>P</b> x 4
	 Ø7 X 34 mm		 Ø6 X 60 mm

13



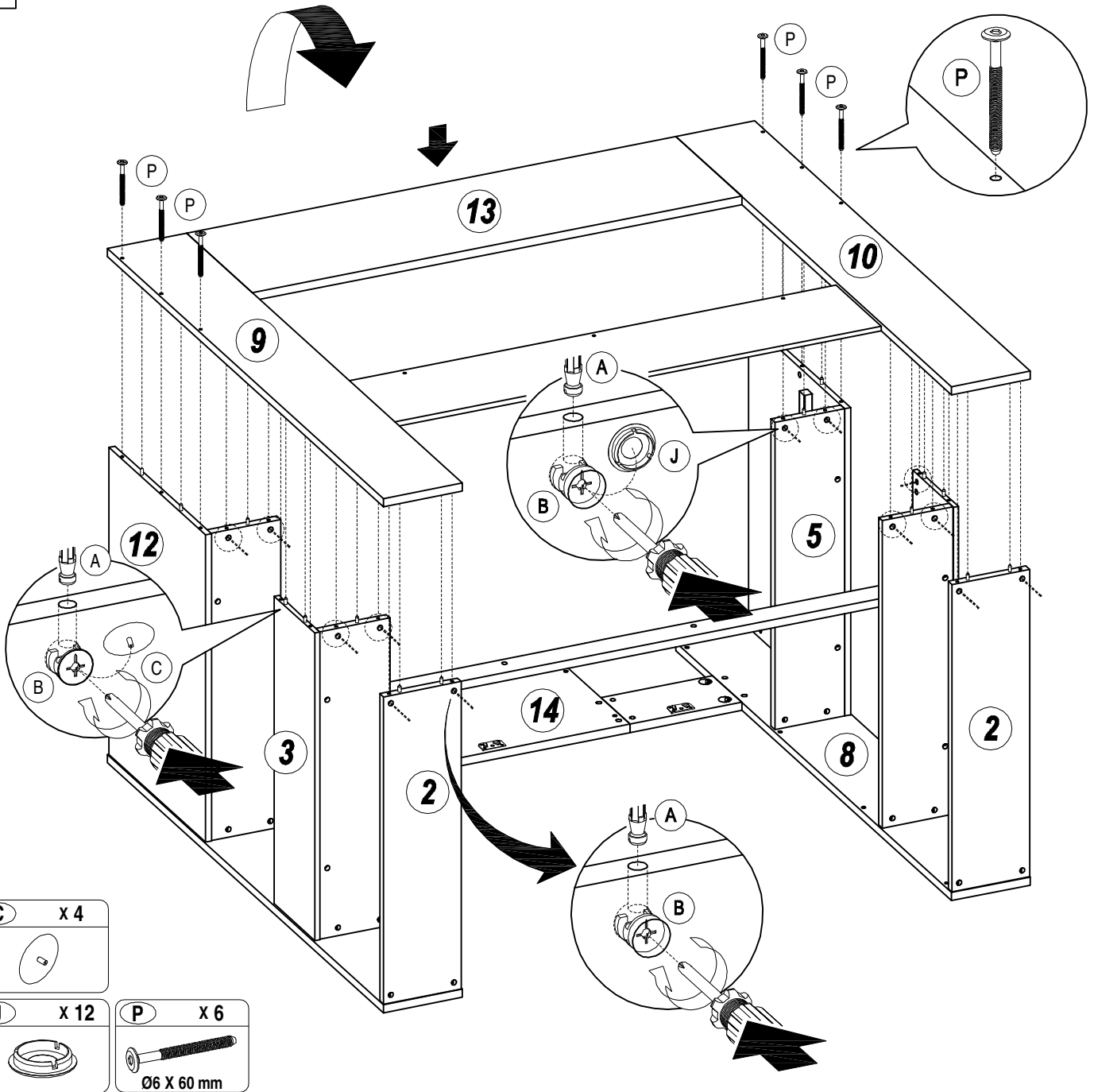
<b>B</b> x 4	<b>E</b> x 4	<b>F</b> x 4
	 Ø7.8 X 40 mm	 Ø9.8 X 40 mm

14

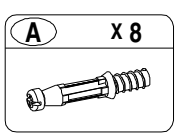
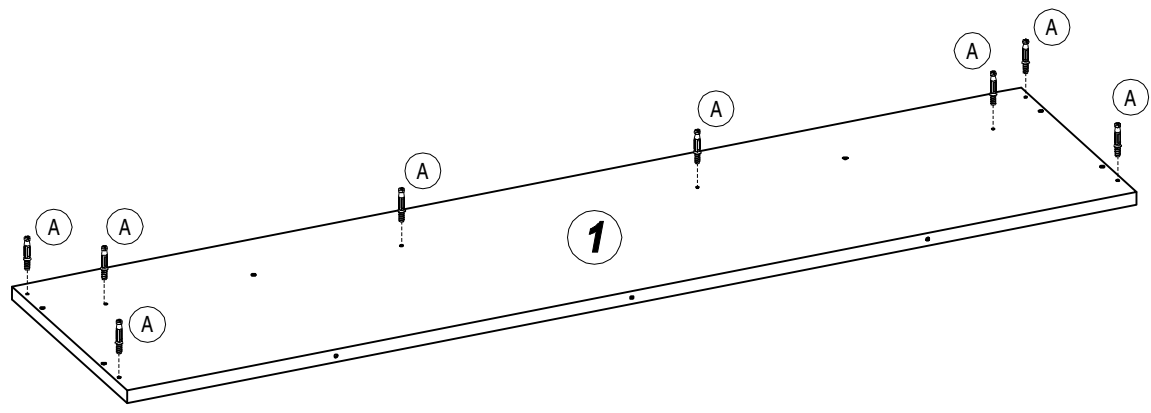


<b>C</b> x 4	<b>R</b> x 8	<b>S</b> x 4	<b>Q</b> x 4
	 Ø25 mm	 Ø50 mm	

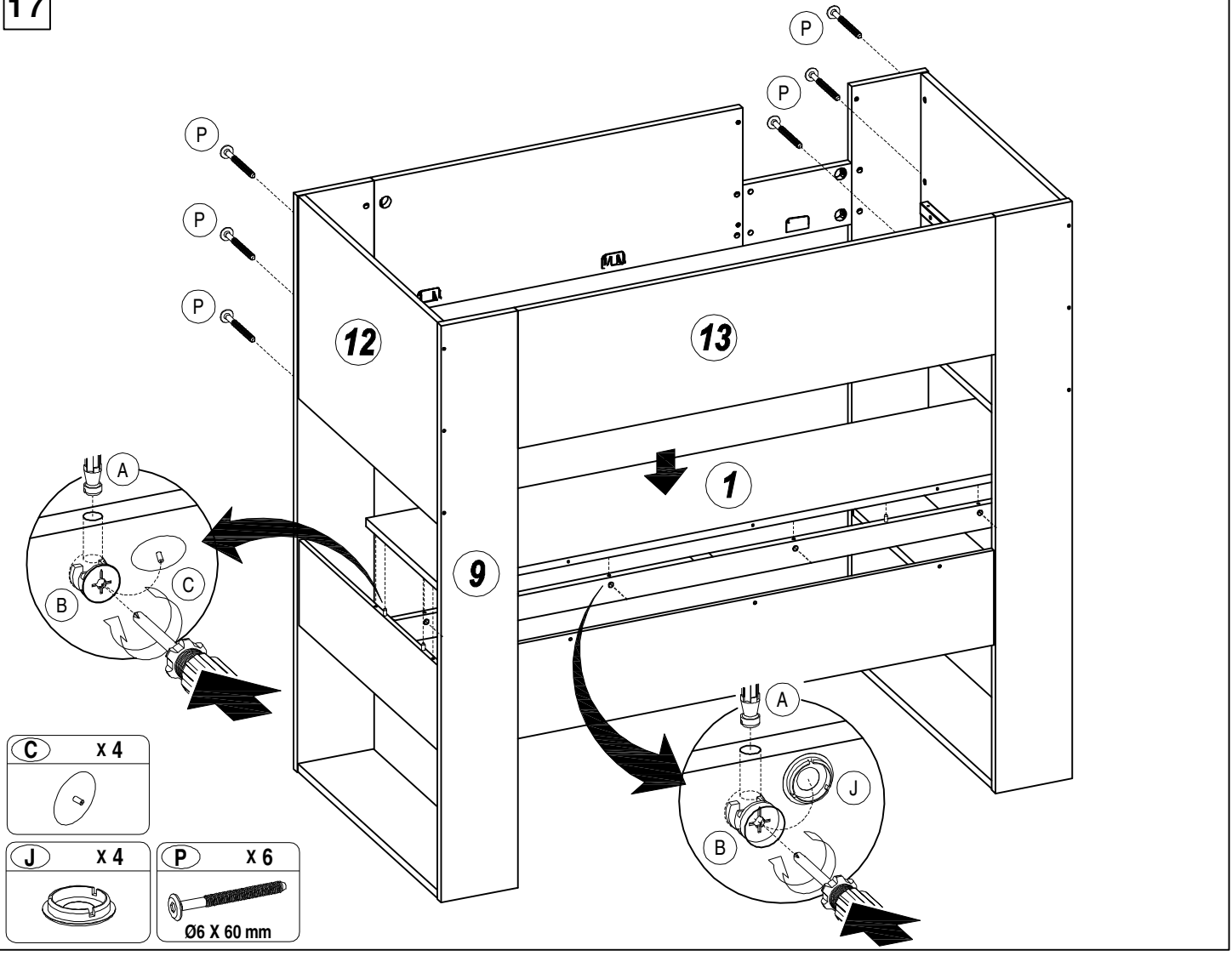
15



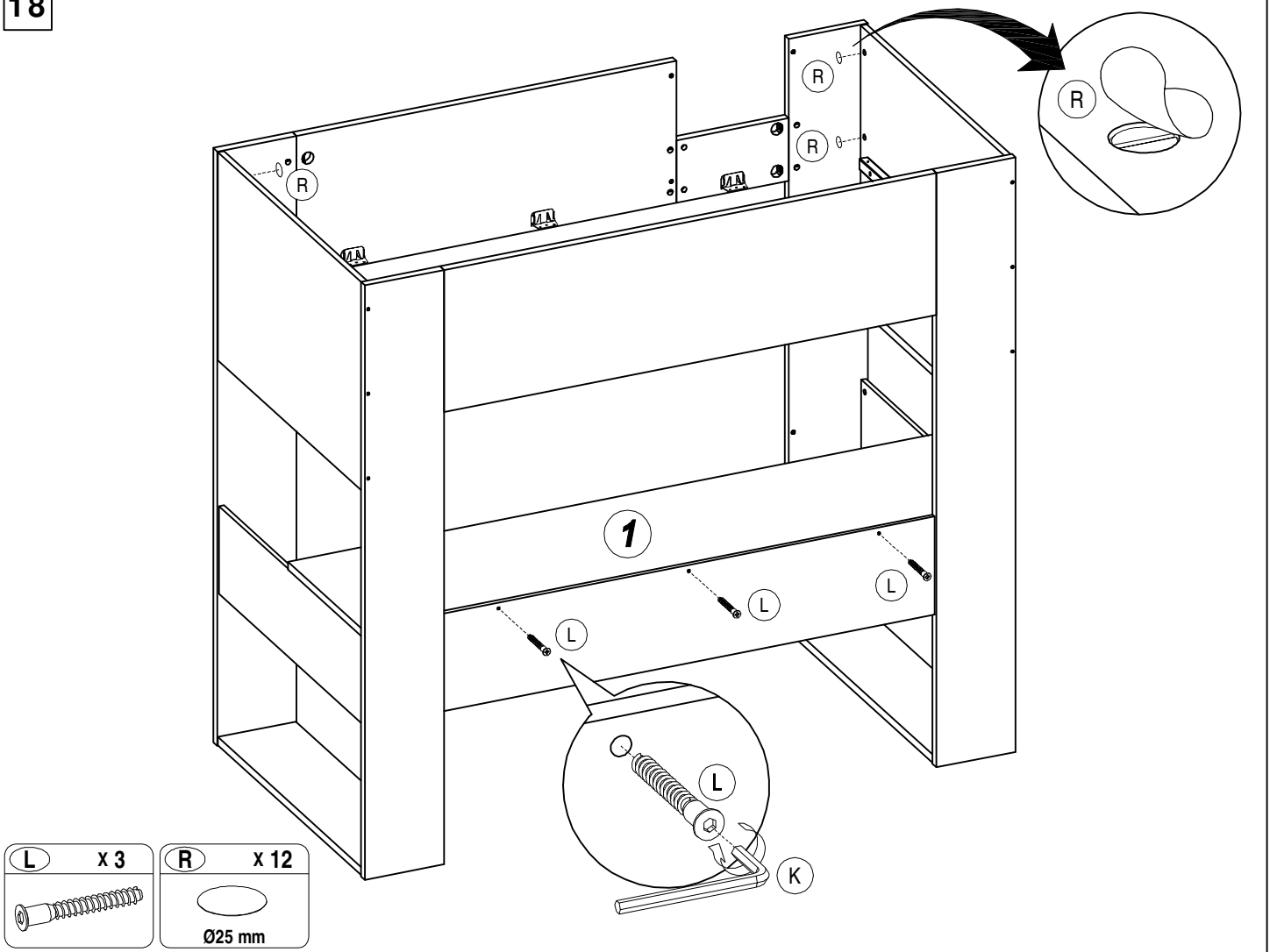
16



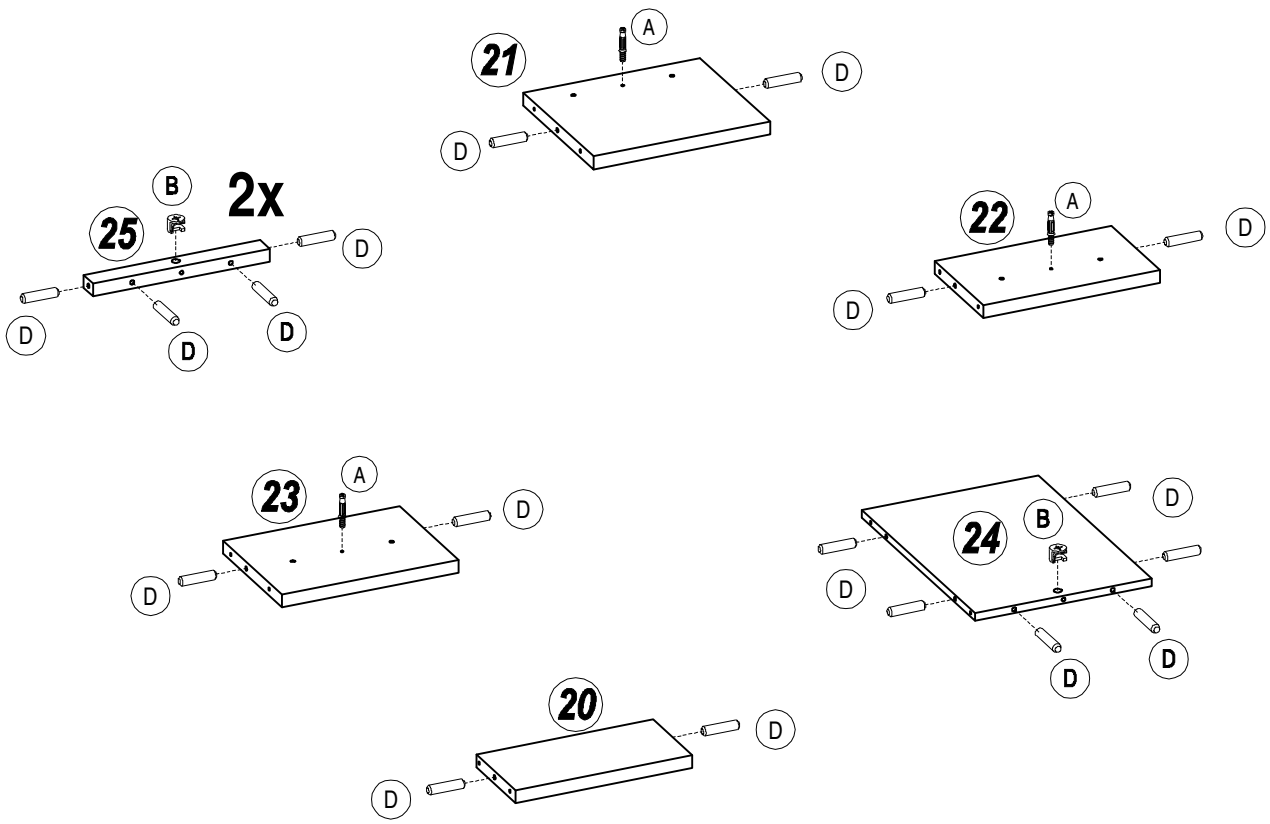
17

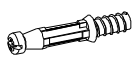




18

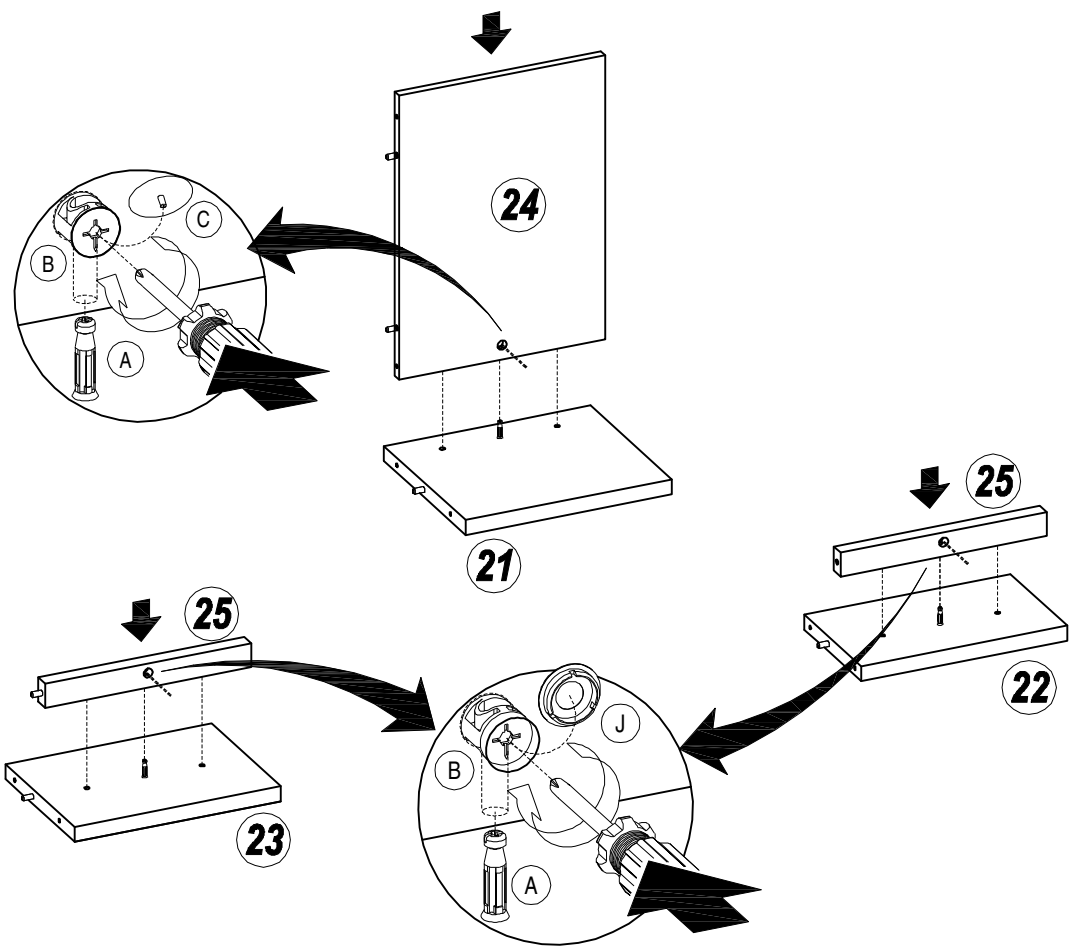



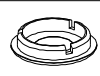
19



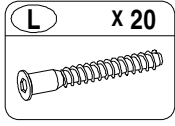
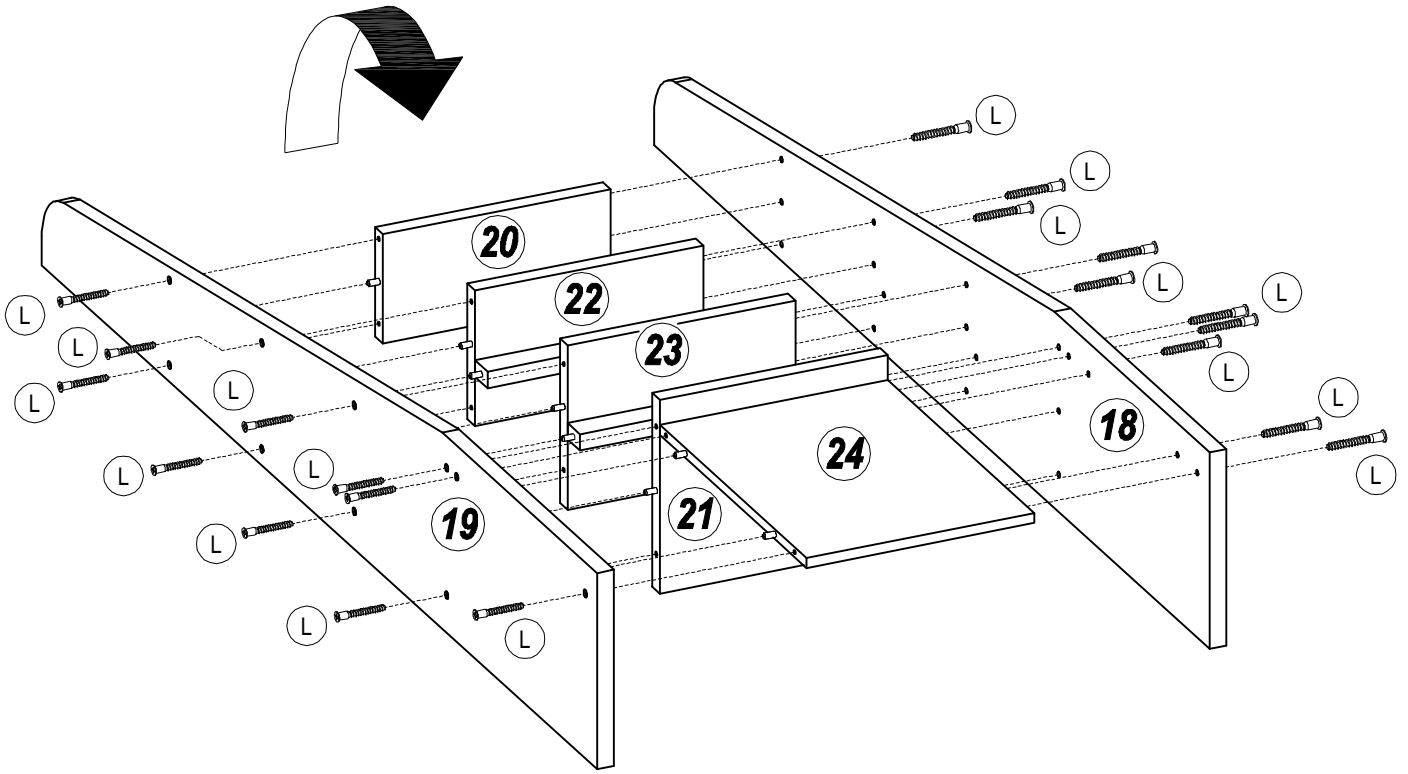
<b>A</b> x 3	<b>B</b> x 3	<b>D</b> x 22
		 Ø7.8 X 32 mm

20

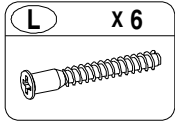
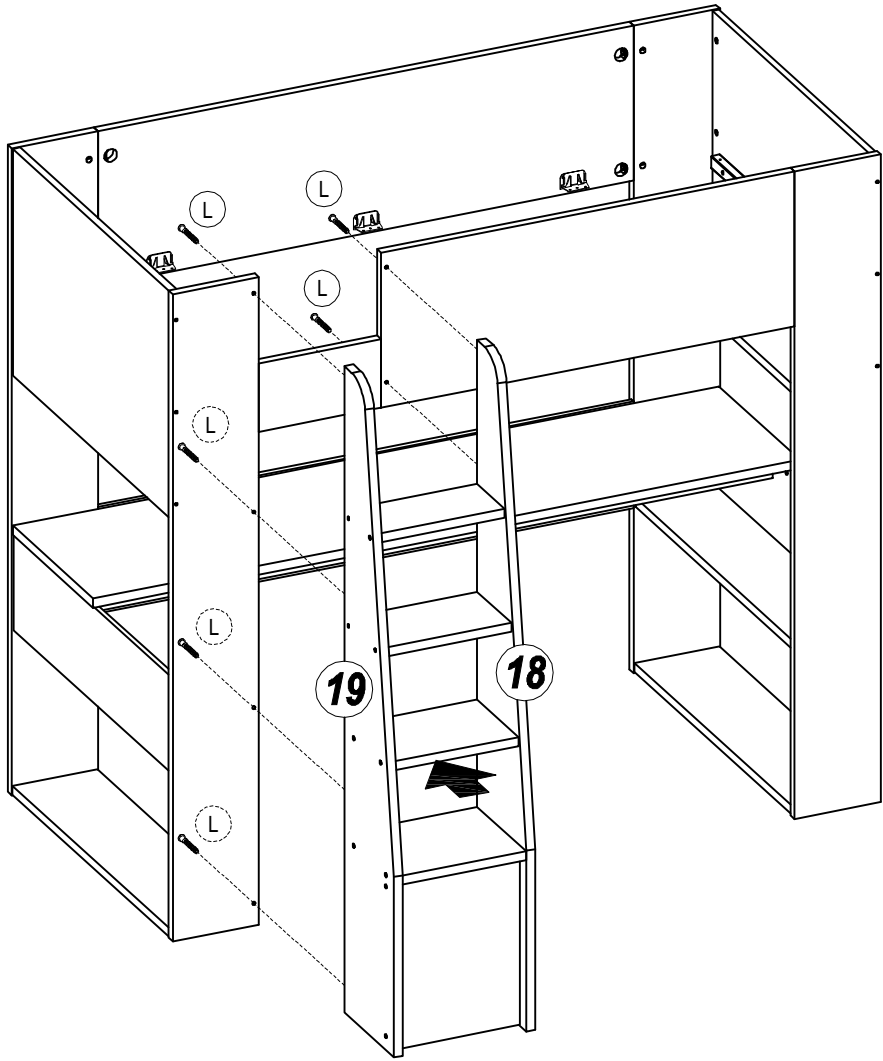


<b>C</b> x 1	<b>J</b> x 2
	

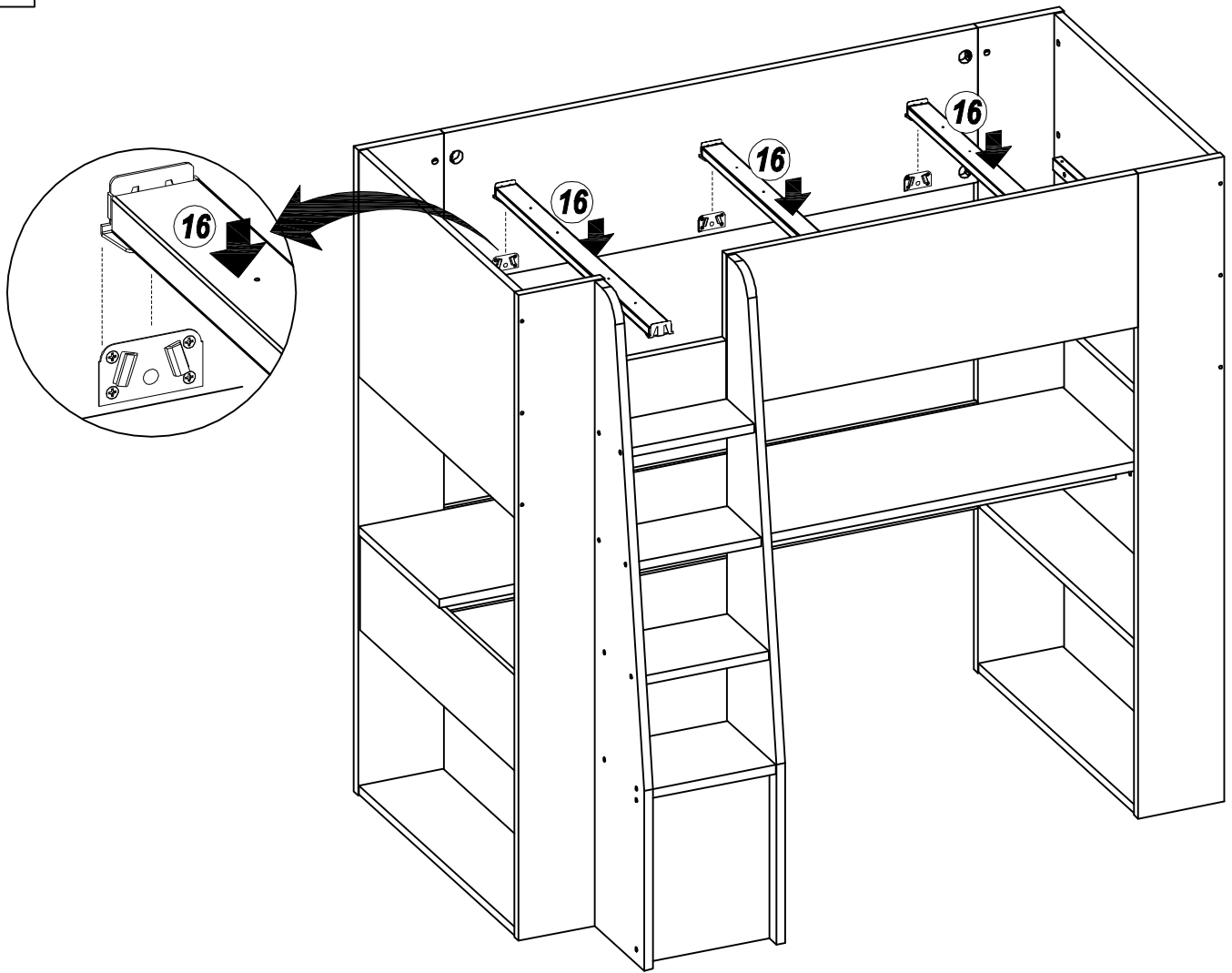
21



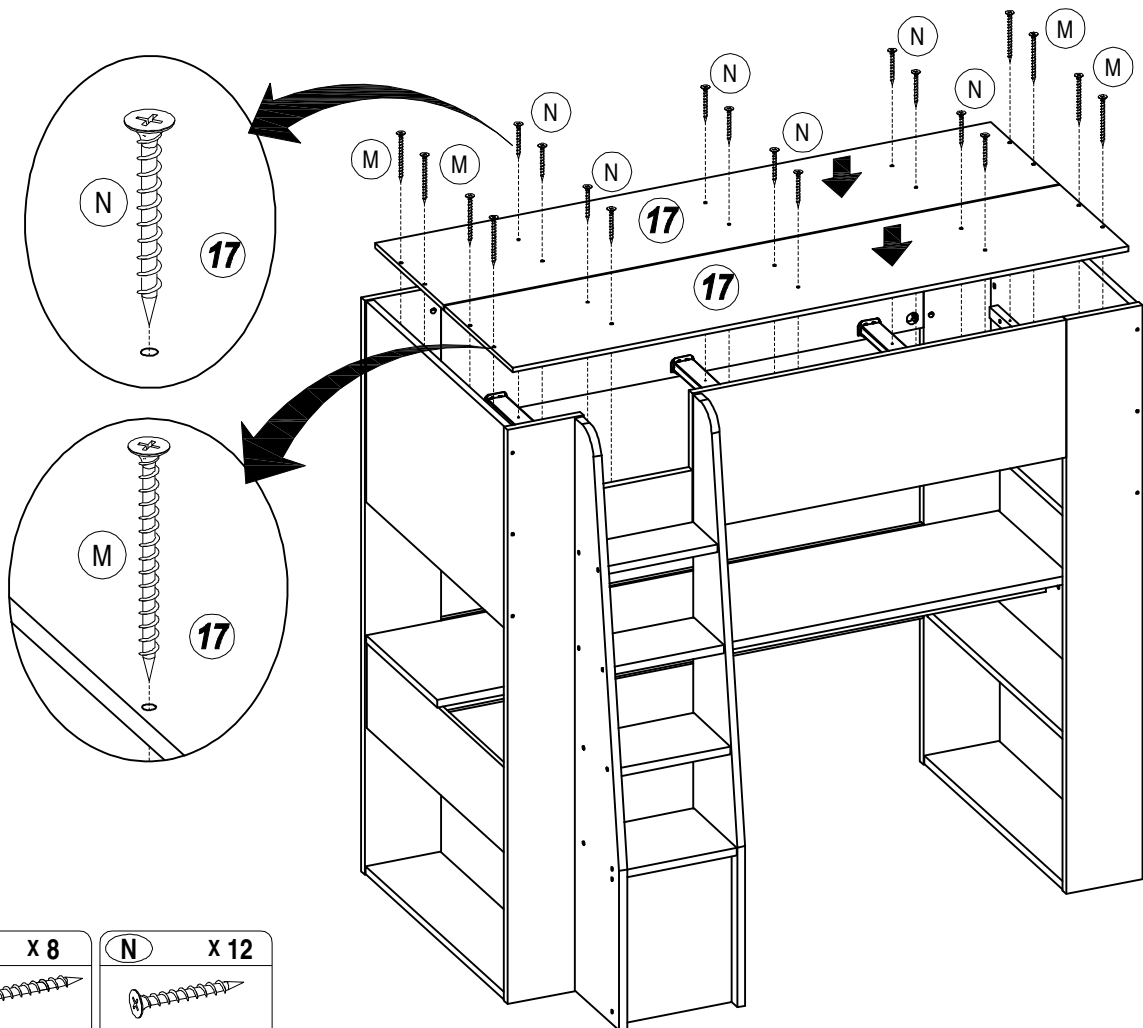
22



23



24



M x 8

N x 12



25

