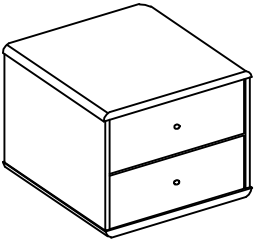

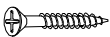





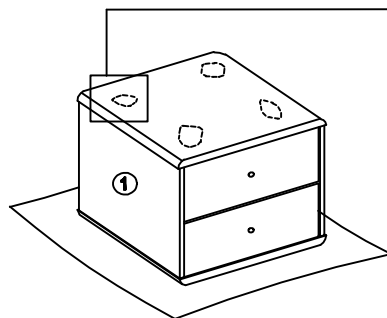
ASSEMBLY INSTRUCTION

ANIKA BEDSIDE TABLE

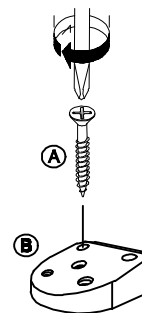
NO.	PART LIST	QTY
1	NIGHTSTAND	1 PC
		
2	WOOD LEG 	4 PCS

NO.	HARDWARE LIST	QTY
A	CB Screw M4 x 32mm 	16 PCS
B	Plastic 	4 PCS
C	Handle 	2 PCS
D	Handle Screw PH4 x 24mm 	2 PCS

STEP 1

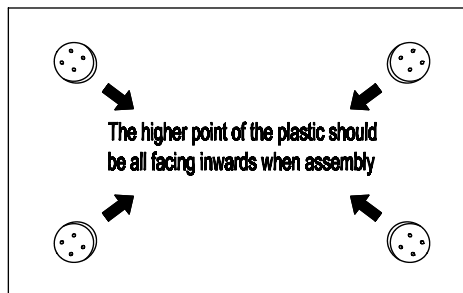
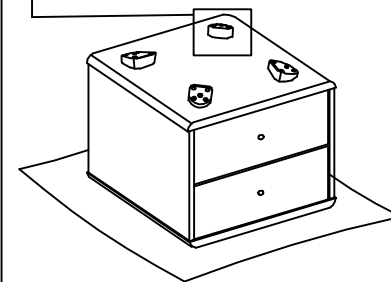
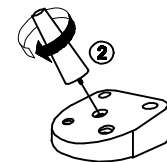


x 16

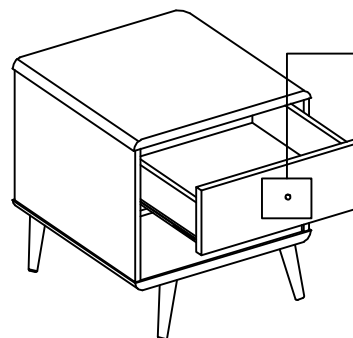


STEP 2

x 4



STEP 3



x 2

