

ASSEMBLY INSTRUCTIONS

ALEXIS

1 drawer bedside table

BEFORE YOU START,
HERE IS SOME
HELPFUL ADVICE

We suggest you spend a short time reading through this leaflet and follow the simple step-by-step assembly instructions.

Do not discard any of the packaging until you have checked that you have all the parts and the pack of fittings.

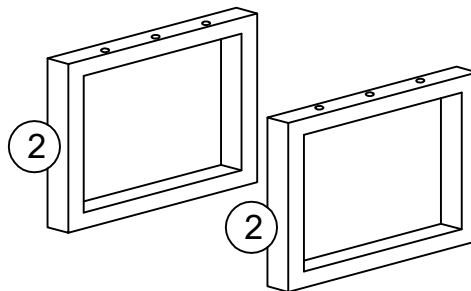
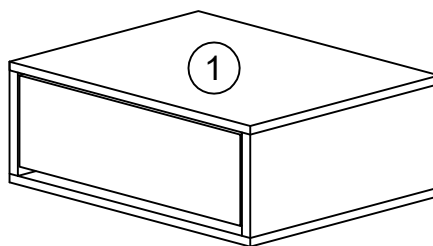
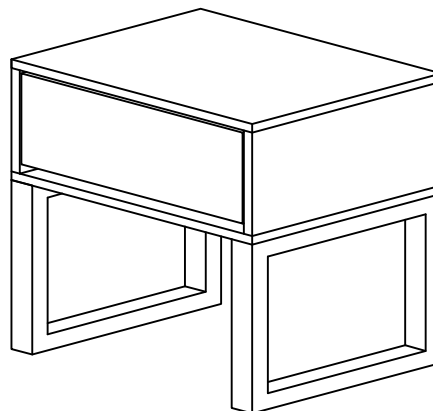
Assemble this product on a flat surface.

Assemble all parts loosely before tightening any bolts.

Discard all extra fittings and keep fittings out of reach of children.

To clean, wipe clean with a damp cloth.

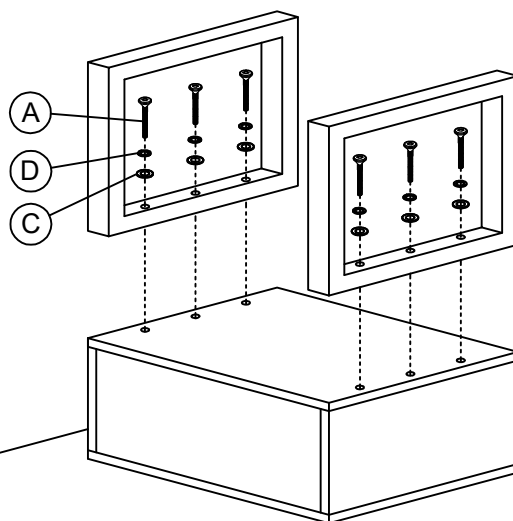
Retain Assembly Instruction for future reference.



PARTS AND FITTINGS LIST

PARTS LIST		
CODE	DESCRIPTION	QTE.
1	DRAWER CASE	1
2	LEGS	2

FITTINGS LIST		
CODE	DESCRIPTION	QTE.
A	 M8 JCBB X 35	6
B	 ALLEN KEY M8	1
C	 FLAT WASHER M8 X 17	6
D	 SPRING WASHER 5/16	6



Useful tips : assemble the furniture on the packing carton to prevent scratches.

CARTON