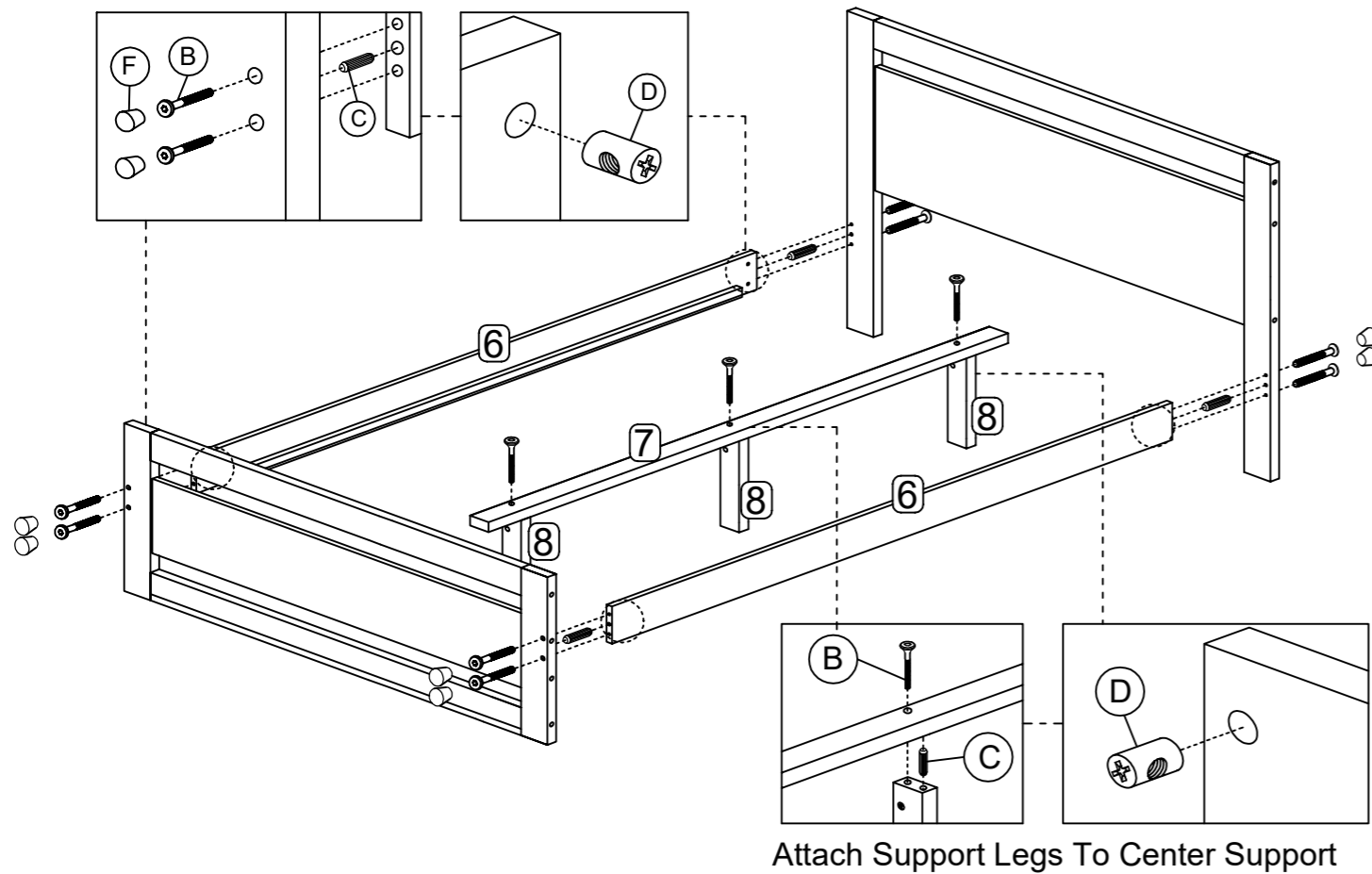
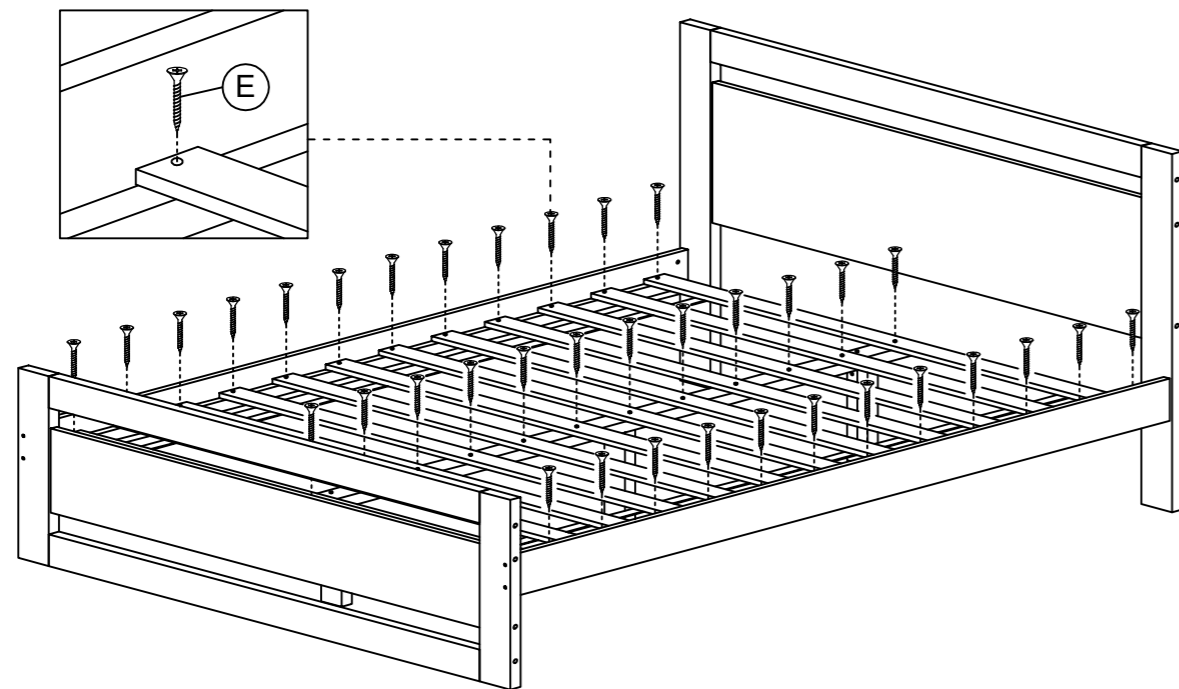


**STEP 5** Required Fittings : B x 11 pcs C x 7 pcs D x 11 pcs F x 8 pcs  
 Attach Head & Footboard With Side Rails



**STEP 6** Required Fittings : E x 36 pcs  
 Attach Slats To Bed Frame.

- Useful Tips :
- Carefully place those slats onto the bed frame to prevent scratches.
  - Slot in the assembled center support from underneath the bed.
  - Drill in the first and last piece of slats in order to hold the position before drilling the rest of the slats.



**ASSEMBLY INSTRUCTIONS**

**ALEXIS**

Double size bed frame

BEFORE YOU START,  
 HERE IS SOME  
 HELPFUL ADVICE

We suggest you spend a short time reading through this leaflet and follow the simple step-by-step assembly instructions.

Do not discard any of the packaging until you have checked that you have all the parts and the pack of fittings.

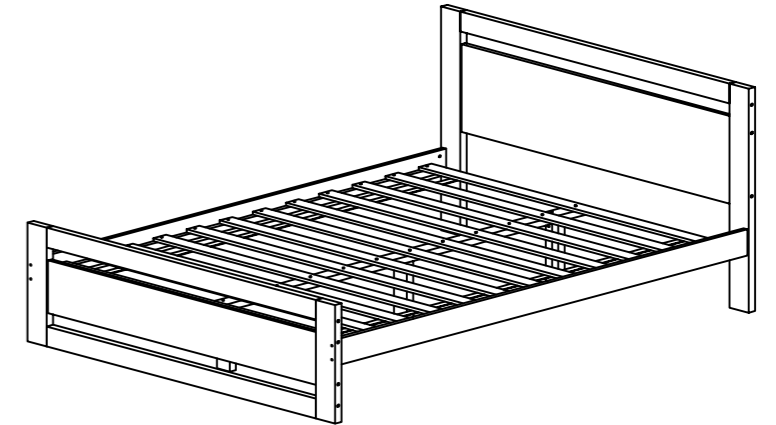
Assemble this product on a flat surface.

Assemble all parts loosely before tightening any bolts.

Discard all extra fittings and keep fittings out of reach of children.

To clean, wipe clean with a damp cloth.

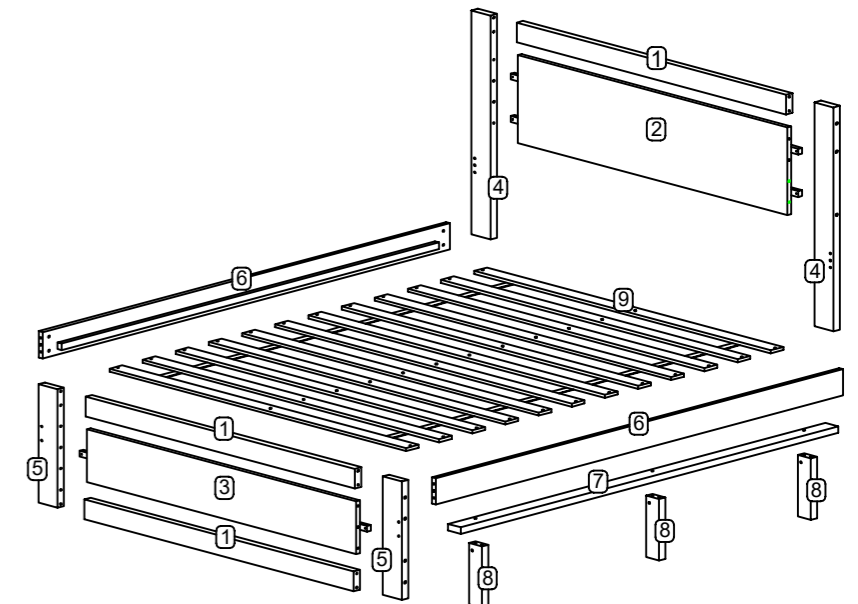
Retain Assembly Instruction for future reference.



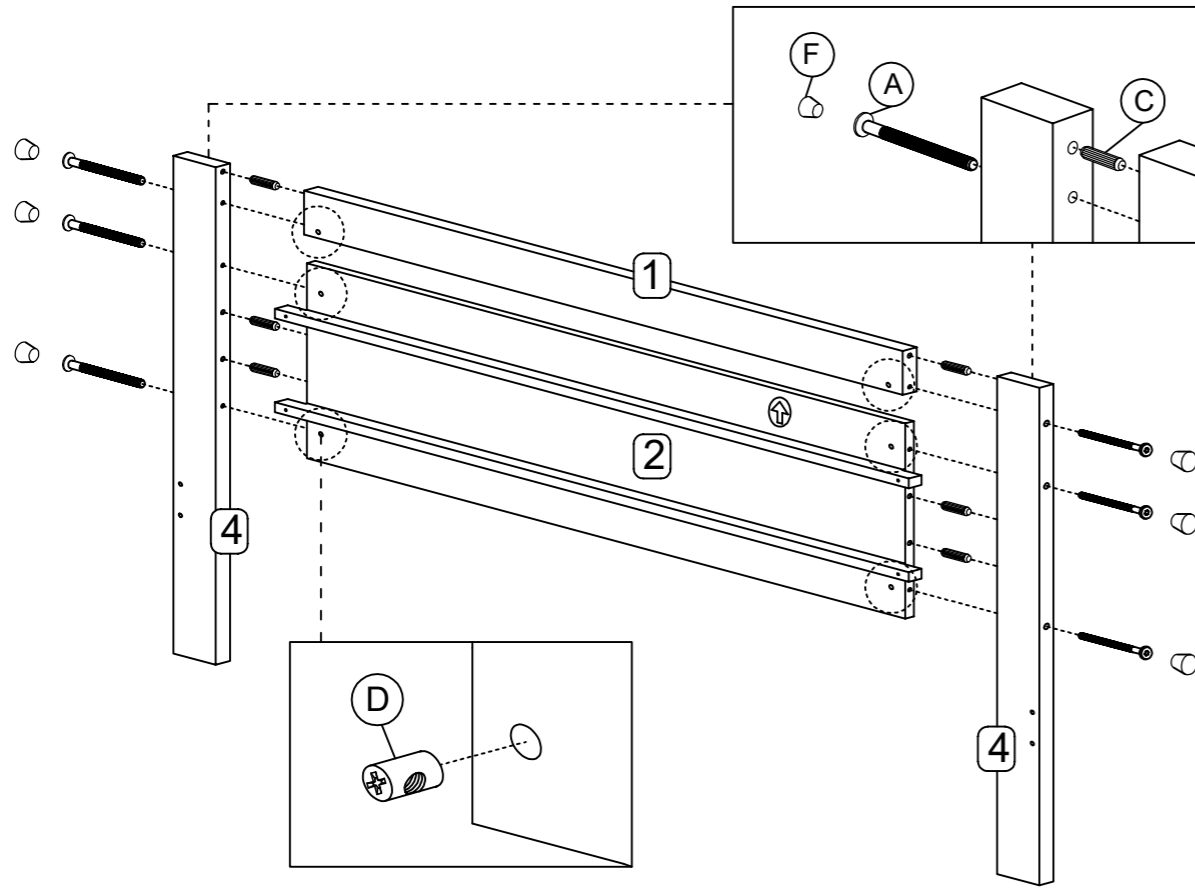
**PARTS AND FITTINGS LIST**

| PARTS LIST |                                  |       |
|------------|----------------------------------|-------|
| CODE       | DESCRIPTION                      | QTE.  |
| 1          | HEAD & FOOTBOARD HORIZONTAL RAIL | 3     |
| 2          | HEADBOARD PANEL                  | 1     |
| 3          | FOOTBOARD PANEL                  | 1     |
| 4          | HEADBOARD POST ( LEFT & RIGHT )  | 2     |
| 5          | FOOTBOARD POST ( LEFT & RIGHT )  | 2     |
| 6          | SIDE RAIL                        | 2     |
| 7          | CENTER SUPPORT                   | 1     |
| 8          | SUPPORT LEG                      | 3     |
| 9          | SLATS                            | 1 SET |

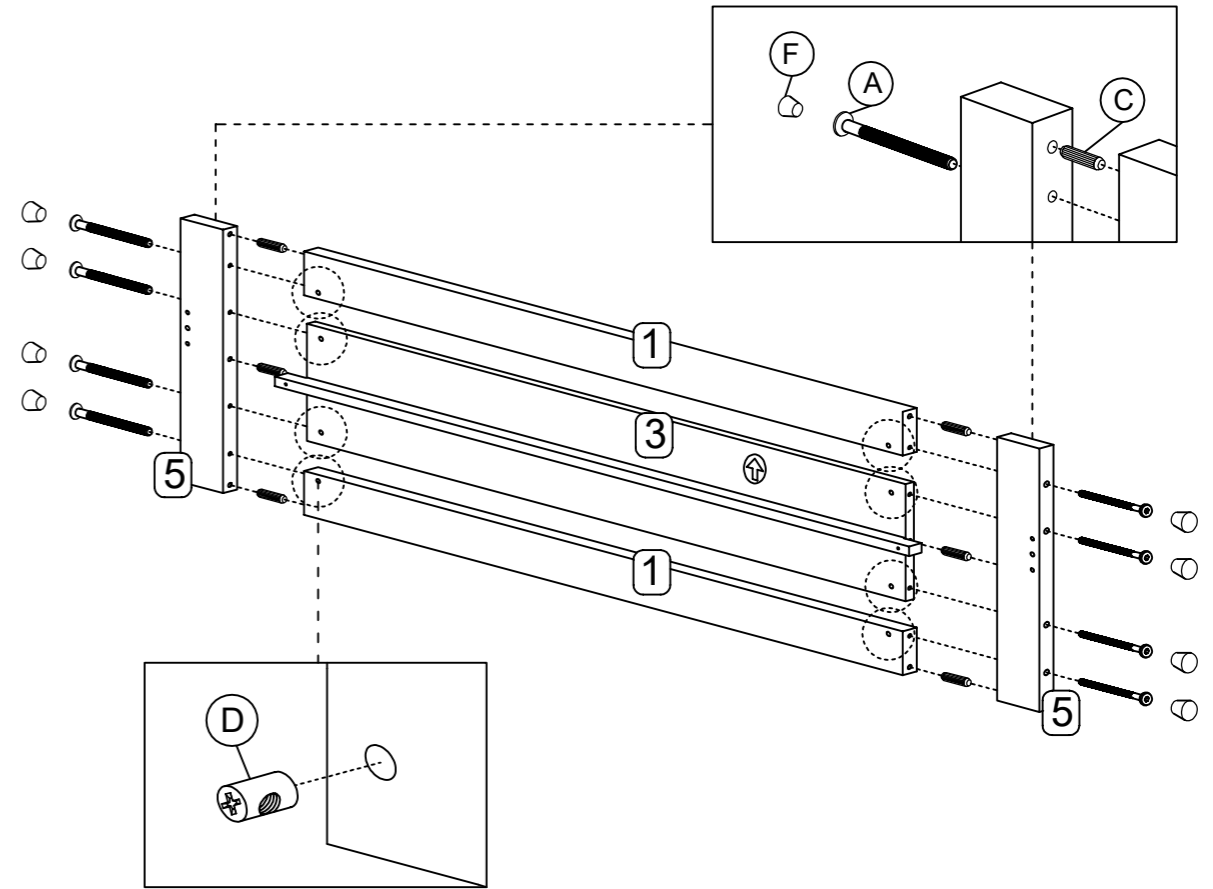
| FITTINGS LIST |                       |      |
|---------------|-----------------------|------|
| CODE          | DESCRIPTION           | QTE. |
| A             | JCBC 6 X 110          | 14   |
| B             | JCBC 6 X 70           | 11   |
| C             | DOWEL 10 X 30         | 19   |
| D             | BAREL NUT 6 X15       | 25   |
| E             | CHIBOARD SCREW 4 X 25 | 36   |
| F             | WOOD BUTTON           | 22   |
| G             | PAN HEAD SCREW 4 X 38 | 6    |
| H             | ALLEN KEY M4          | 1    |



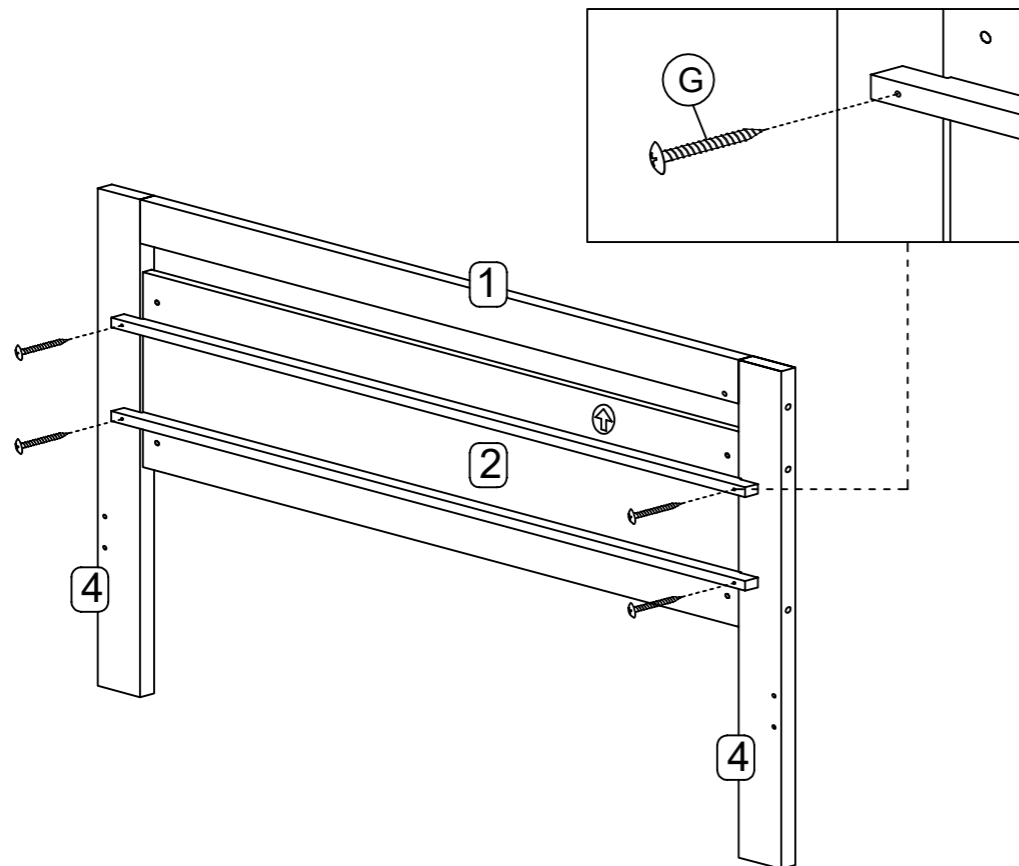
STEP 1 Required Fittings : A x 6 pcs C x 6 pcs D x 6 pcs F x 6 pcs  
Headboard Assembly



STEP 3 Required Fittings : A x 8 pcs C x 6 pcs D x 8 pcs F x 8 pcs  
Footboard Assembly



STEP 2 Required Fittings : G x 4 pcs  
Fitting Headboard Panel With Post



STEP 4 Required Fittings : G X 2 pcs  
Fitting Footboard Panel With Post

