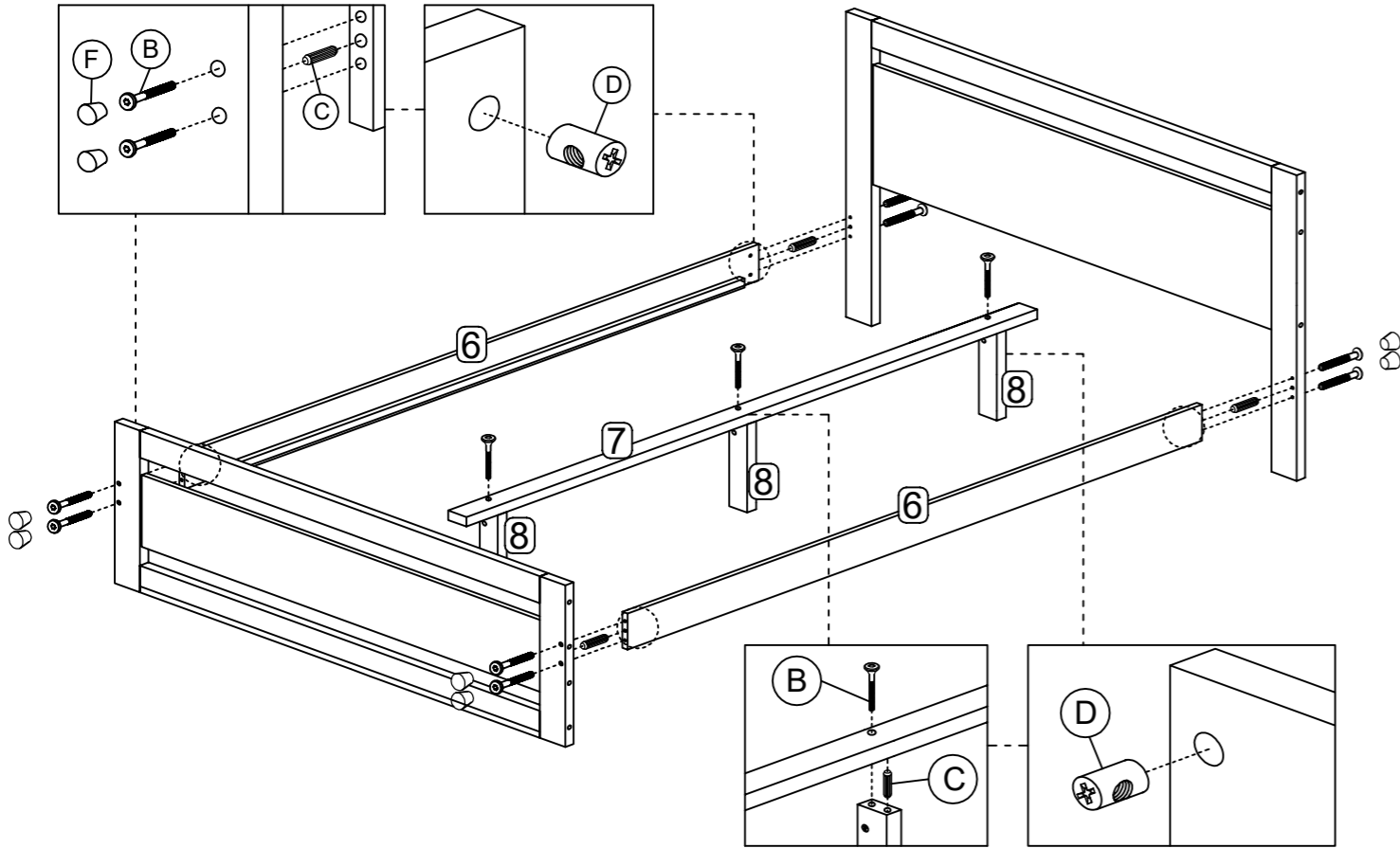


STEP 5 Required Fittings : B x 11 pcs C x 7 pcs D x 11 pcs F x 8 pcs
 Attach Head & Footboard With Side Rails



Attach Support Legs To Center Support

ASSEMBLY INSTRUCTIONS

ALEXIS

Queen size bed frame

BEFORE YOU START,
 HERE IS SOME
 HELPFUL ADVICE

We suggest you spend a short time reading through this leaflet and follow the simple step-by-step assembly instructions.

Do not discard any of the packaging until you have checked that you have all the parts and the pack of fittings.

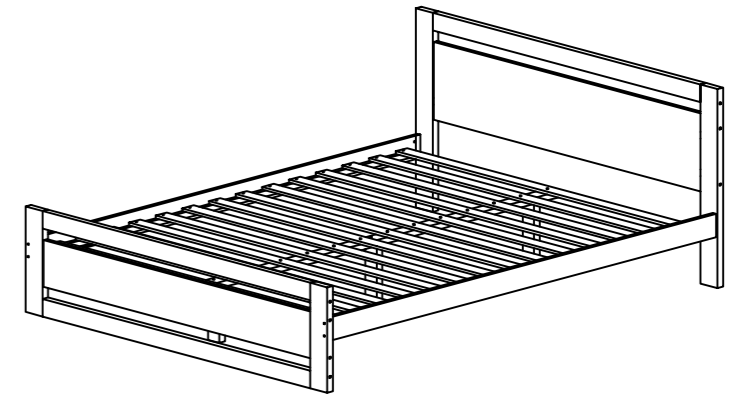
Assemble this product on a flat surface.

Assemble all parts loosely before tightening any bolts.

Discard all extra fittings and keep fittings out of reach of children.

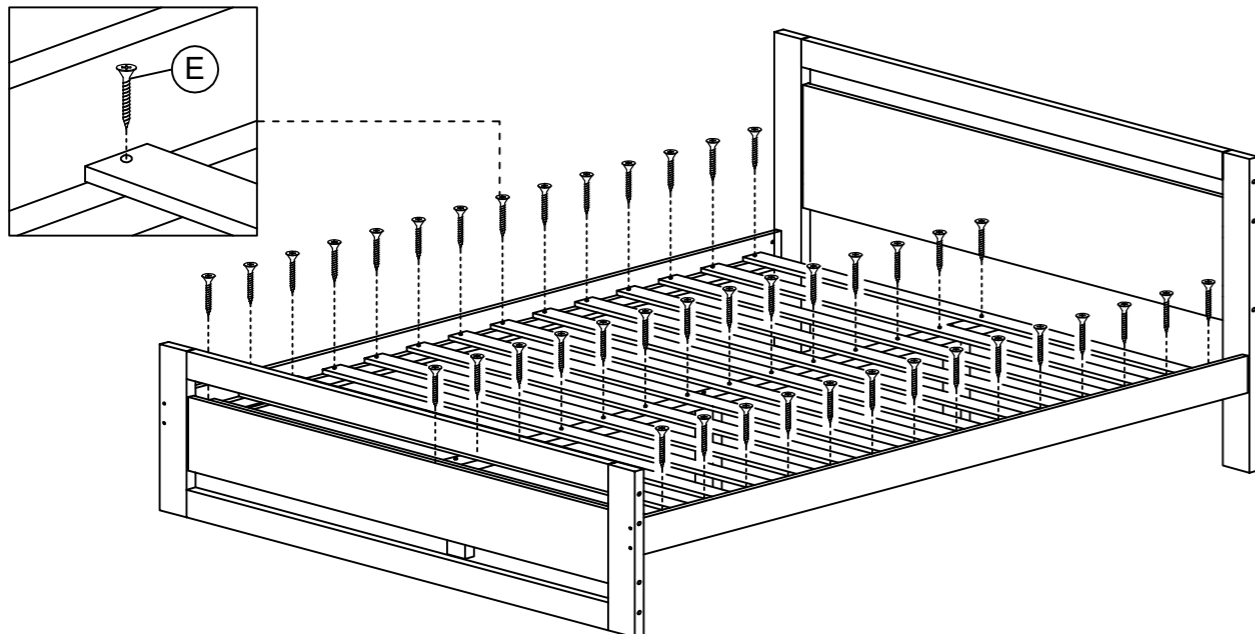
To clean, wipe clean with a damp cloth.

Retain Assembly Instruction for future reference.



STEP 6 Required Fittings : E x 42 pcs
 Attach Slats To Bed Frame.

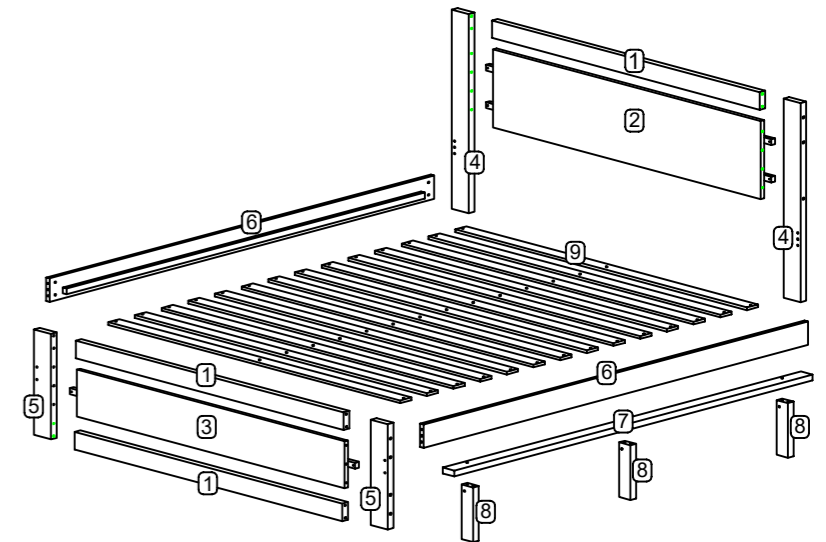
- Useful Tips :
- Carefully place those slats onto the bed frame to prevent scratches.
 - Slot in the assembled center support from underneath the bed.
 - Drill in the first and last piece of slats in order to hold the position before drilling the rest of the slats.



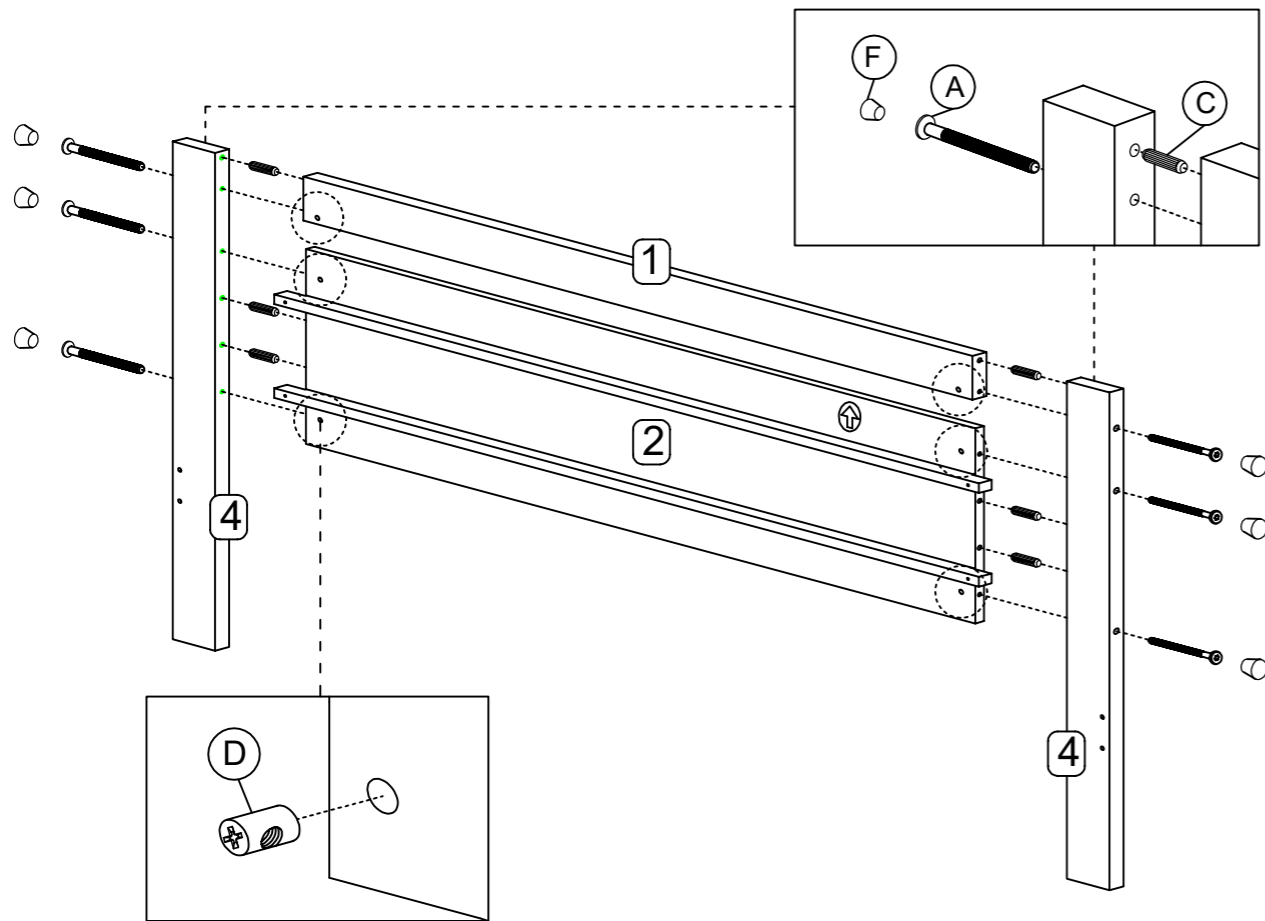
PARTS AND FITTINGS LIST

PARTS LIST		
CODE	DESCRIPTION	QTE.
1	HEAD & FOOTBOARD HORIZONTAL RAIL	3
2	HEADBOARD PANEL	1
3	FOOTBOARD PANEL	1
4	HEADBOARD POST (LEFT & RIGHT)	2
5	FOOTBOARD POST (LEFT & RIGHT)	2
6	SIDE RAIL	2
7	CENTER SUPPORT	1
8	SUPPORT LEG	3
9	SLATS	1 SET

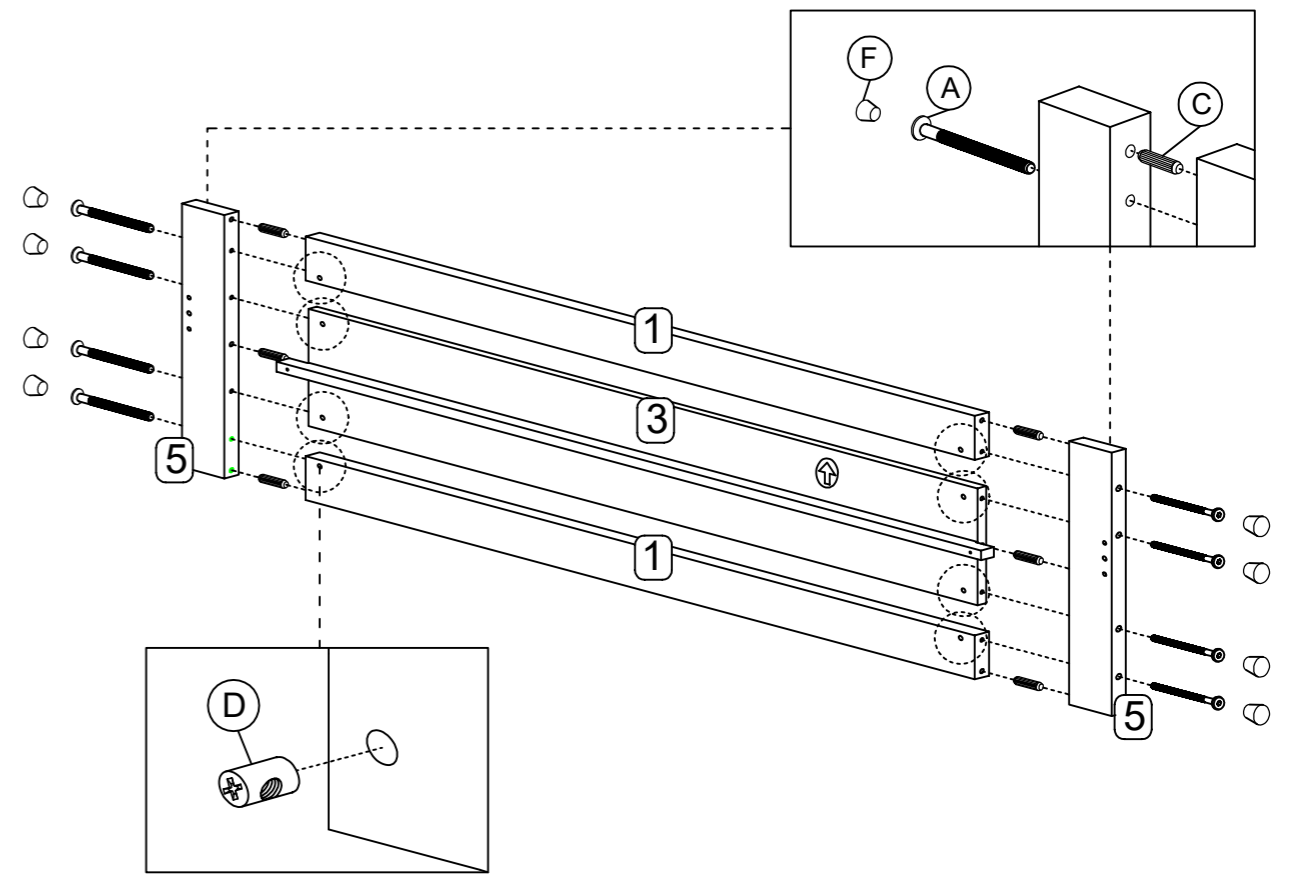
FITTINGS LIST		
CODE	DESCRIPTION	QTE.
A	JCBC 6 X 110	14
B	JCBC 6 X 70	11
C	DOWEL 10 X 30	19
D	BAREL NUT 6 X15	25
E	CHIBOARD SCREW 4 X 25	42
F	WOOD BUTTON	22
G	PAN HEAD SCREW 4 X 38	6
H	ALLEN KEY M4	1



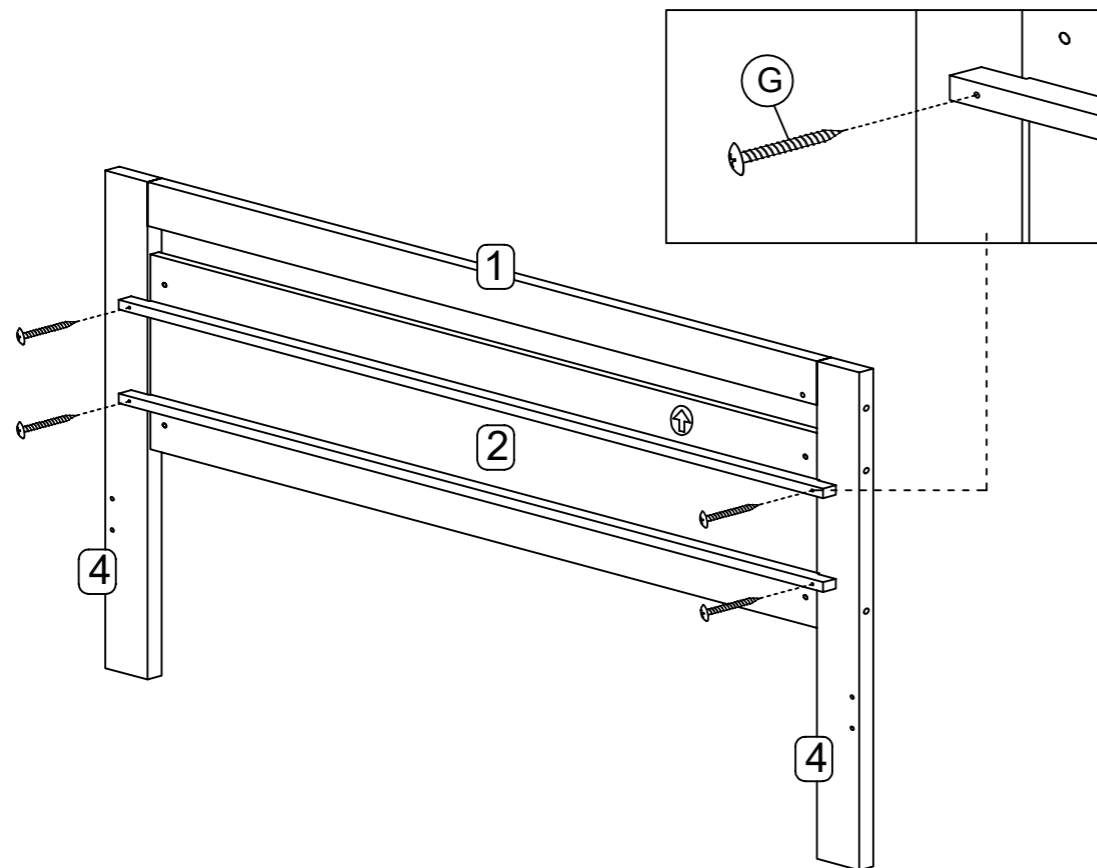
STEP 1 Required Fittings : A x 6 pcs C x 6 pcs D x 6 pcs F x 6 pcs
Headboard Assembly



STEP 3 Required Fittings : A x 8 pcs C x 6 pcs D x 8 pcs F x 8 pcs
Footboard Assembly



STEP 2 Required Fittings : G x 4 pcs
Fitting Headboard Panel With Post



STEP 4 Required Fittings : G X 2 pcs
Fitting Footboard Panel With Post

