

ASSEMBLY INSTRUCTIONS

ALEXIS

Single bed frame
**BEFORE YOU START,
 HERE IS SOME
 HELPFUL ADVICE**

We suggest you spend a short time reading through this leaflet and follow the simple step-by-step assembly instructions.

Do not discard any of the packaging until you have checked that you have all the parts and the pack of fittings.

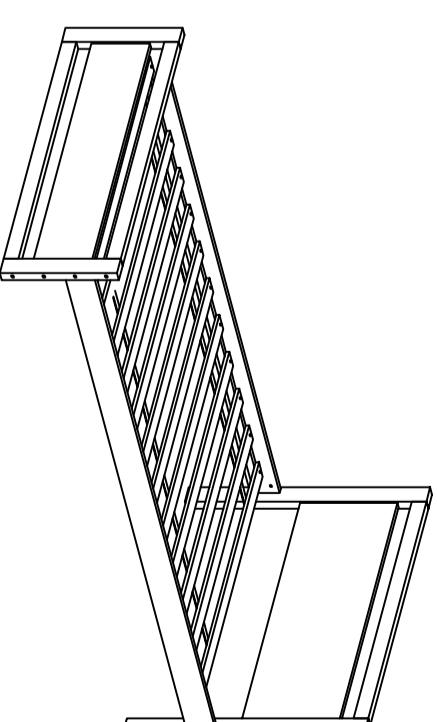
Assemble this product on a flat surface.

Assemble all parts loosely before tightening any bolts.

Discard all extra fittings and keep fittings out of reach of children.

To clean, wipe clean with a damp cloth.

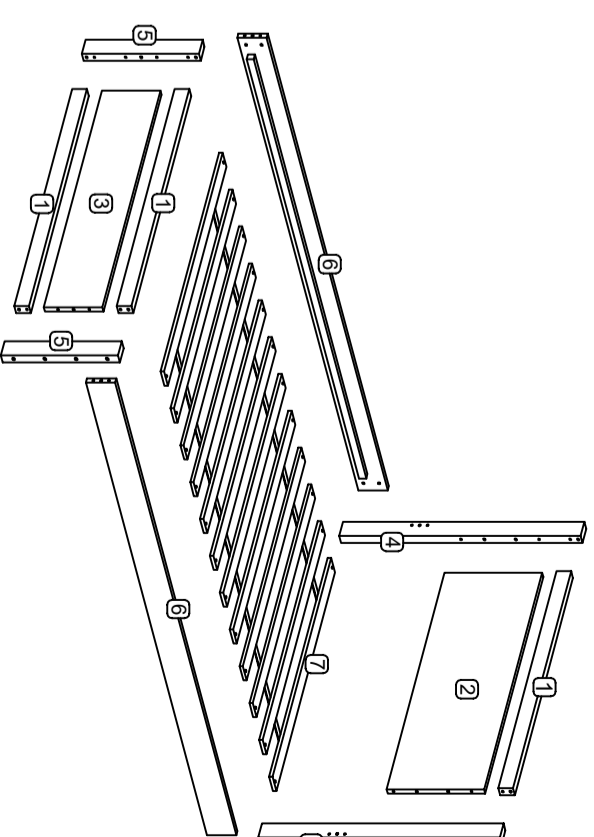
Retain Assembly Instruction for future reference.



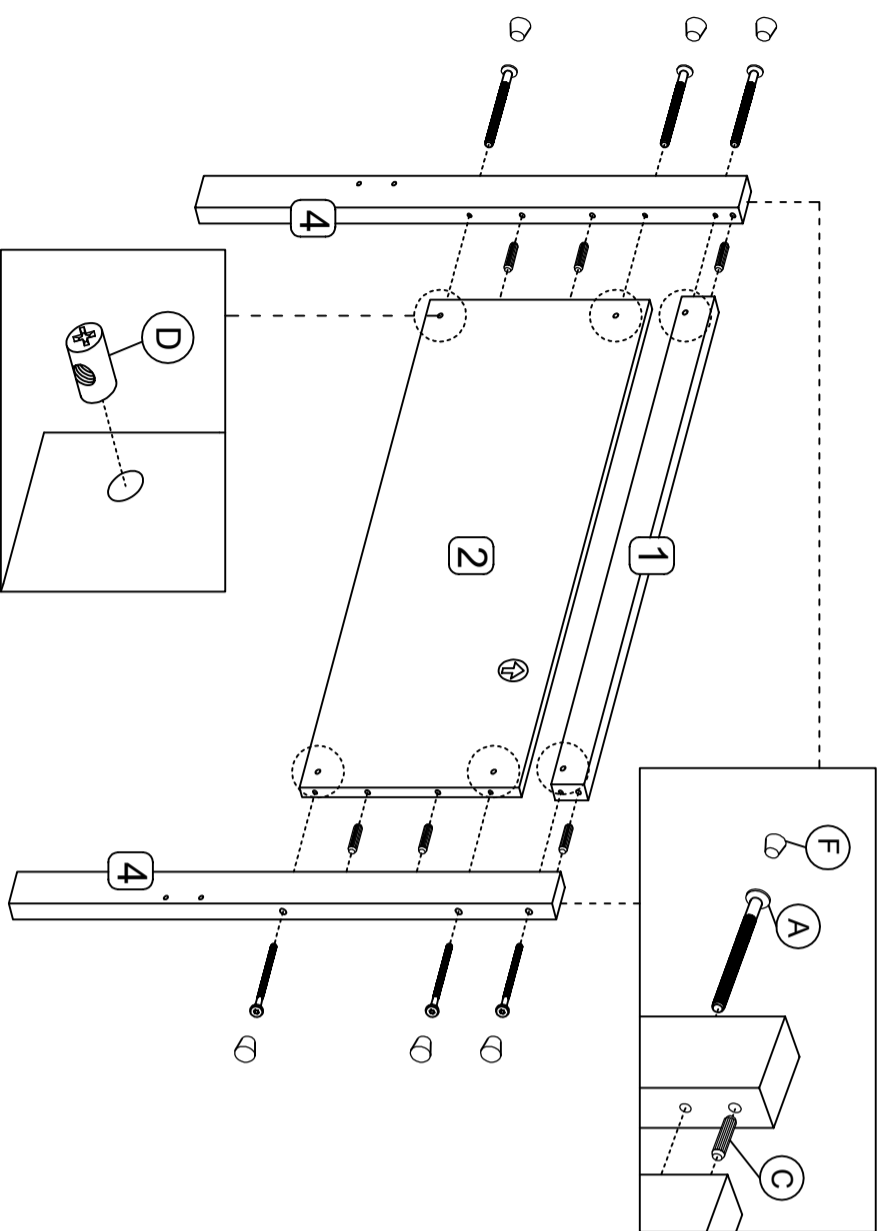
PARTS AND FITTINGS LIST

CODE	DESCRIPTION	QTE.
1	HEAD & FOOTBOARD HORIZONTAL RAIL	3
2	HEADBOARD PANEL	1
3	FOOTBOARD PANEL	1
4	HEADBOARD POST (LEFT & RIGHT)	2
5	FOOTBOARD POST (LEFT & RIGHT)	2
6	SIDE RAIL	2
7	SLATS	1 SET

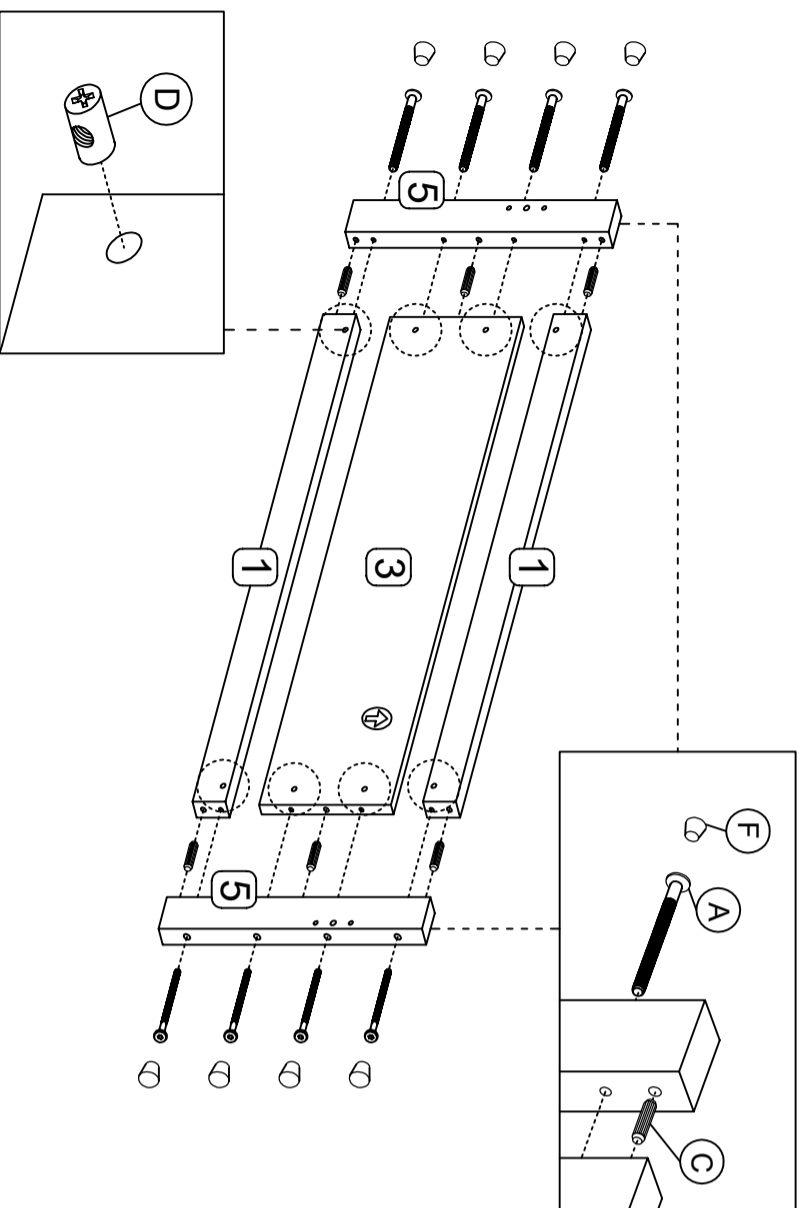
CODE	DESCRIPTION	QTE.
A	JGBC 6 X 90	14
B	JGBC 6 X 70	8
C	DOWEL 10 X 30	16
D	BARREL NUT 6 X15	22
E	CHIBOARD SCREW 4 X 25	24
F	WOOD BUTTON	22
G	ALLEN KEY M4	1



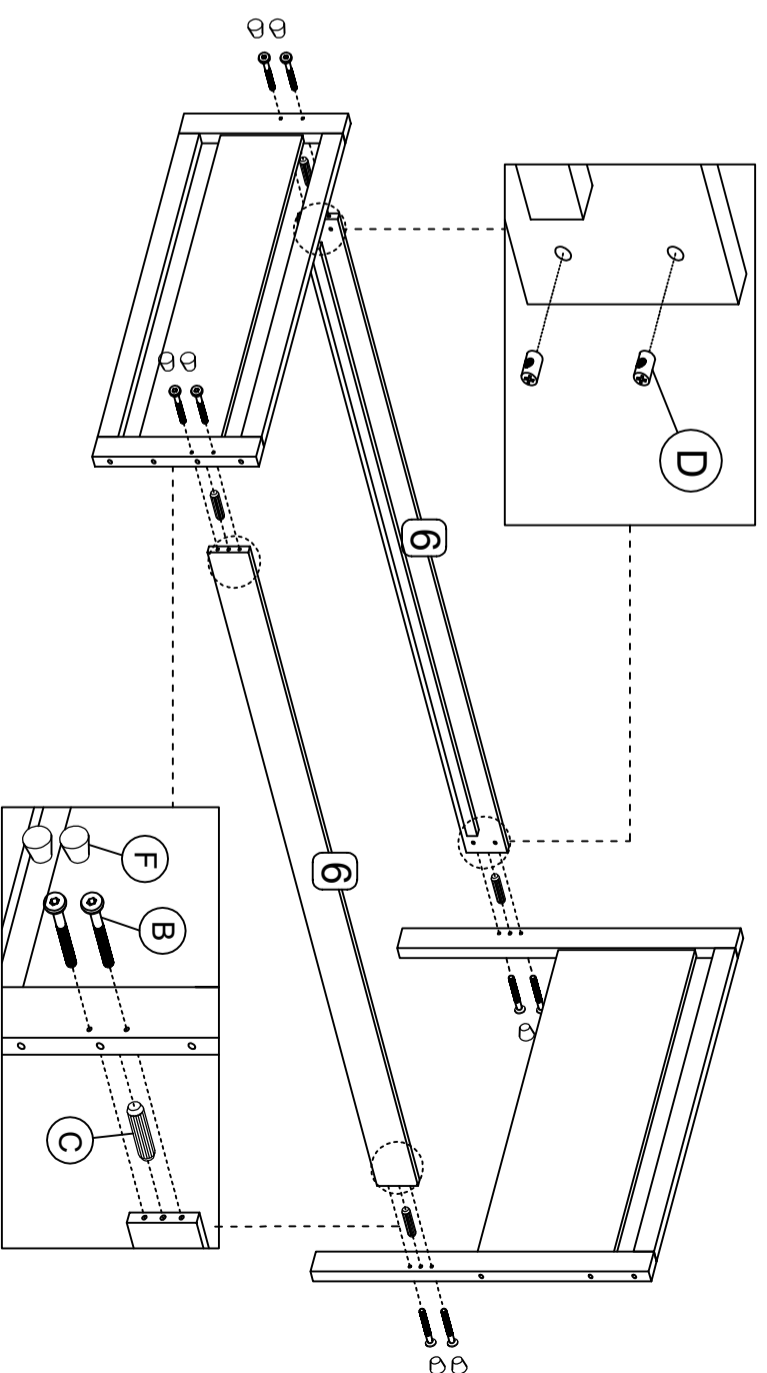
STEP 1 Required Fittings : A x 6 pcs C x 6 pcs D x 6 pcs F x 6 pcs
Headboard Assembly



STEP 2 Required Fittings : A x 8 pcs C x 6 pcs D x 8 pcs F x 8 pcs
Footboard Assembly



STEP 3 Required Fittings : B x 8 pcs C x 4 pcs D x 8 pcs F x 8 pcs
Attach Head & Footboard With Side Rails



STEP 4 Required Fittings : E x 24 pcs
Attach Slats To Bed Frame.

- Useful Tips :
1. Carefully place those slats onto the bed frame to prevent scratches.
 2. Slot in the assembled center support from underneath the bed.
 3. Drill in the first and last piece of slats in order to hold the position before drilling the rest of the slats.

