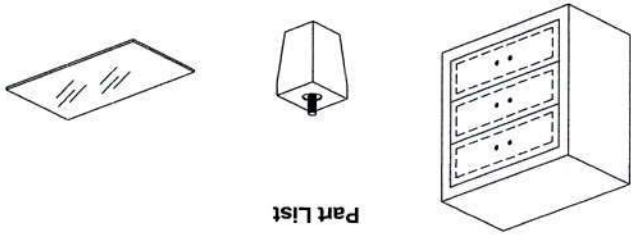


Amy Night Stand Assembly Instruction

Read this instruction carefully. Refer hardware and furniture parts list for guidance. Be sure all parts are complete, before assembling. Place all the parts on a clean and flat soft surface to prevent scratches. Refer steps provided as assembling guide.

Part List

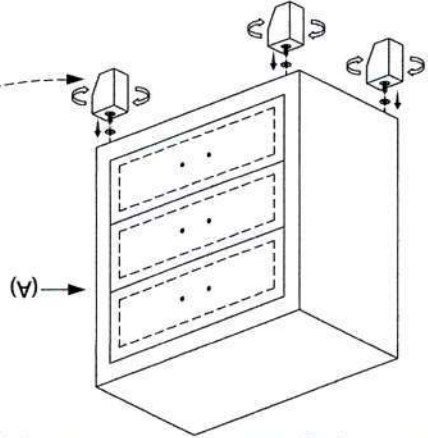
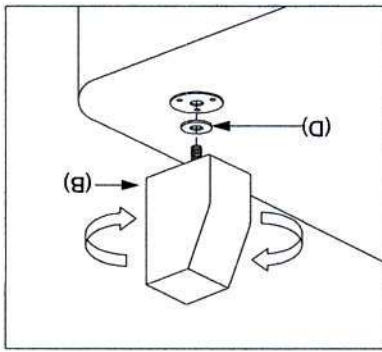


Item	Description	Qty.
D	Plastic washer	4 pcs
E	Handle	3 pcs
F	Screw handle	6 pcs
G	Flat washer	6 pcs

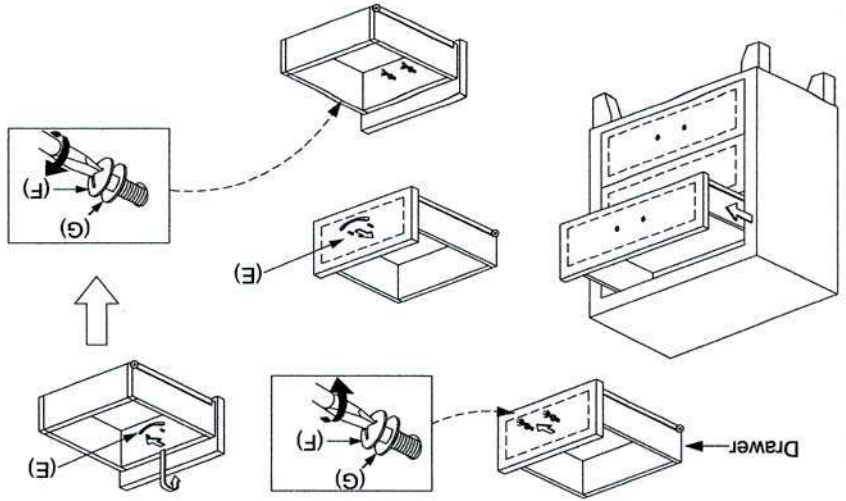
Hardware list

**** Handle & handle screw with washer already fix at the inside of drawer.**

Step 1
Insert plastic washer (D) into the feet (B) bolt and fix the feet (B) into the t-nut at the bottom of night stand (A) by turning clockwise direction until it fully tight. Make sure that the feet (B) must be aligned with front and side edges of the night stand (A).



Step 2
Move out the drawer and loosen the handle screw (F) & flat washer (G). Revert and position the handle (E) onto the drawer front and tighten with same screw & same washer.



Step 3
Finally, slot in all the drawers and place the glass (C) at the top of night stand (A).

