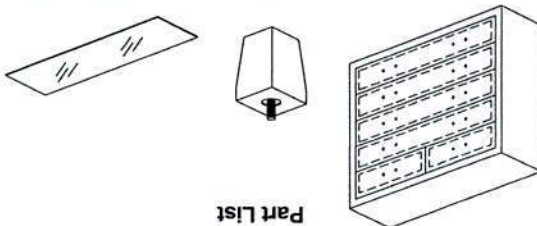
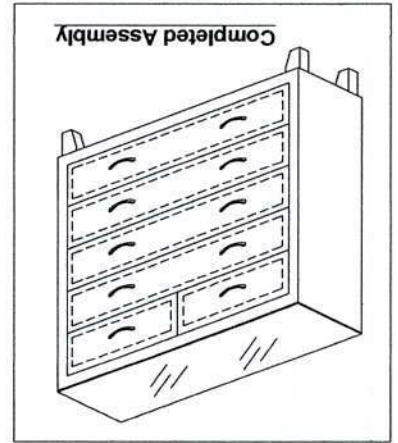


Amy Tallboy Assembly Instruction

Read this instruction carefully. Refer hardware and furniture parts list for guidance. Be sure all parts are complete, before assembling. Place all the parts on a clean and flat soft surface to prevent scratches. Refer steps provided as assembling guide.



Part List

Item	Description	Qty.
D	Plastic washer	4 pcs
E	Handle	10 pcs
F	Screw handle	20 pcs
G	Flat washer	20 pcs

**** Handle & handle screw with washer already fix at the inside of drawer.**

WARNING

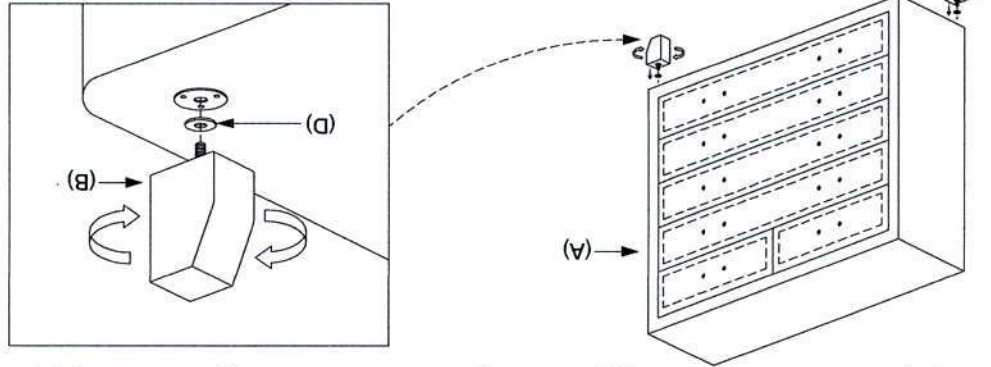
Serious or fatal crushing injuries can occur from furniture tip-over. To help prevent tip-over:

- Place heaviest items in the lowest drawers.
- Do not set TVs or other heavy objects on the top of this product, unless specifically designed to accommodate.
- Never allow children to climb or hang on drawers, doors, or shelves.
- Never open more than one drawer at a time (OTM).
- Do not detach or remove the drawer interlock system.

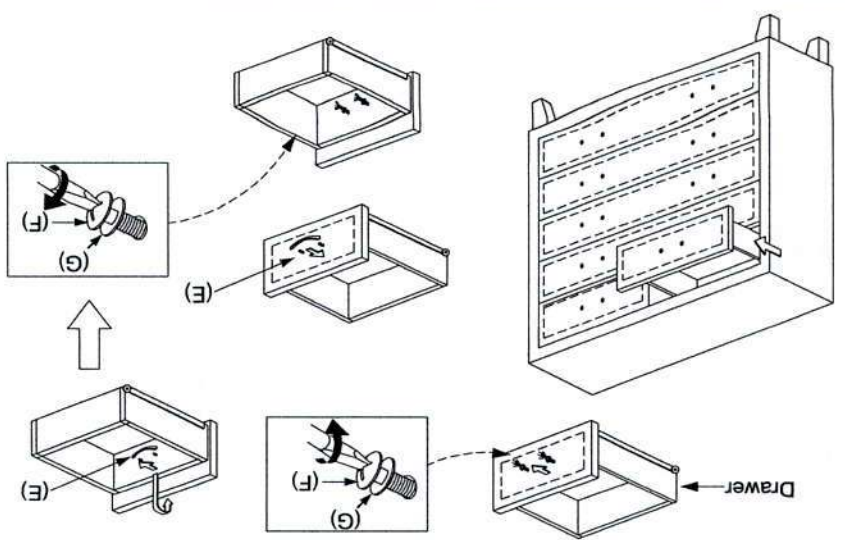
Use of tip-over restrains may only reduce, but not eliminate, the risk of tip-over.

This is a permanent label. Do not attempt to remove!

Step 1
Insert plastic washer (D) into the feet (B) and fix the feet (B) into the T-nut at the bottom of tallboy (A) by turning clock wise direction until it fully tight. Make sure that the feet (B) must be aligned with front and side edges of the tallboy (A).



Step 2
Move out the drawer and loosen the handle screw (F) & flat washer (G). Revert and position the handle (E) onto the drawer front and tighten with same screw & same washer.



Step 3
Finally, slot in all the drawers and place the glass (C) at the top of tallboy (A).

