

ASSEMBLY INSTRUCTION

A-1pc

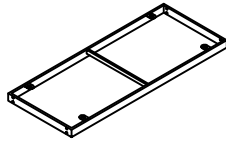
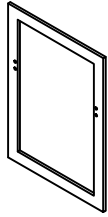
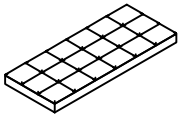
B-2pcs

C-1pc

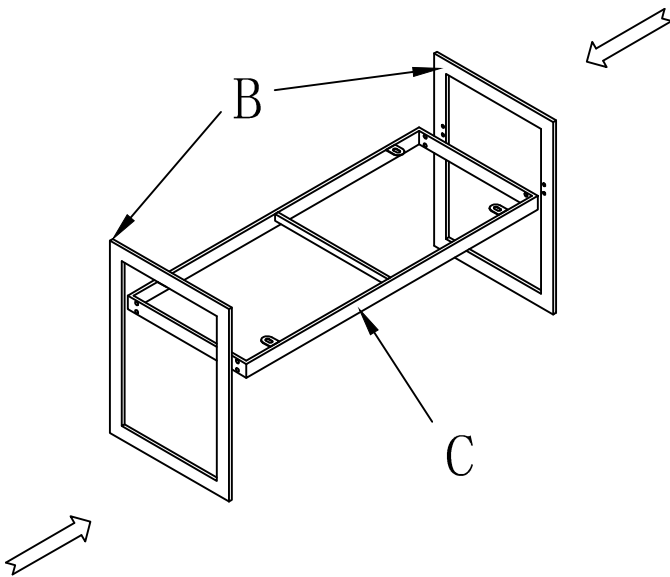
D-12pcs

E-12pcs

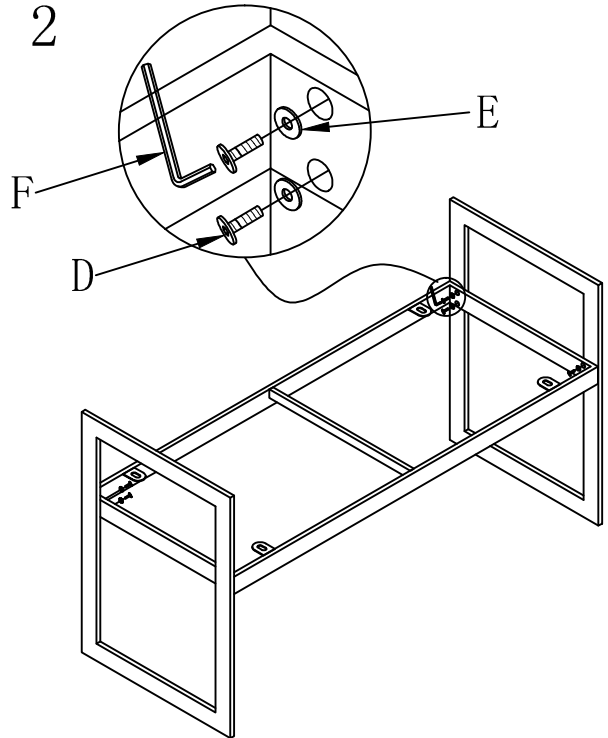
F-1pc



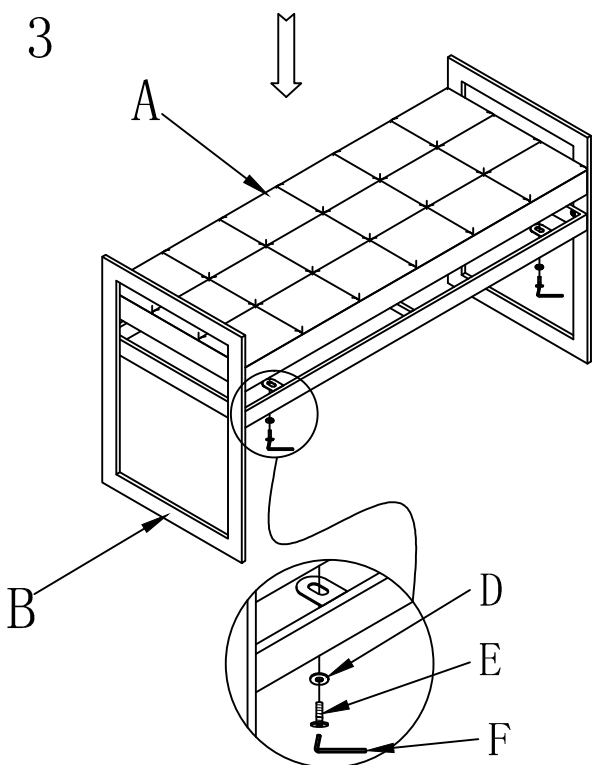
1



2



3



4

