
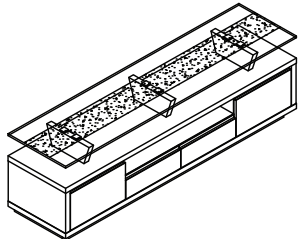



	2150	510
235		
470	<p>Imported by</p>  <p>MAYGAR BUSINESS PARK, BROADMEADOWS VIC AUSTRALIA 3047</p> <p>ASSEMBLED SIZE:2100*450*560MM CARTON SIZE:2155*530*490MM GROSS WEIGHT: 73 KG FACTORY NO.60 MADE IN CHINA</p>  <p style="text-align: center;">SOLD EXCLUSIVELY TO HARVEY NORMAN.</p>	 <div style="text-align: right; border: 1px solid black; border-radius: 50%; width: 30px; height: 30px; display: flex; align-items: center; justify-content: center; margin: 0 auto;">60</div> <p>BETA ENT.UNIT 2100 ITEM NO.:BETEU2100 CARTON: 1 OF 2 CONTENT: MAIN UNIT COLOUR: WHITE MATERIAL :MDF PO#:</p>
235		



BETEU2100地柜 2-1