

# ASSEMBLY INSTRUCTION

## DESCRIPTION: Type 131 BOOM GRANDE P6--BG

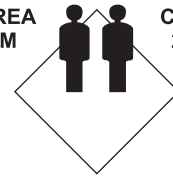
### 2.5 hrs

APPROXIMATE ASSEMBLY TIME  
EXCLUDING GLUE SETTING TIME

2 PERSON ASSEMBLY

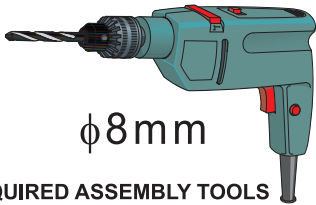


FLOOR AREA  
2,5M X 2,5M



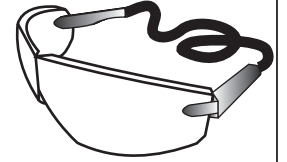
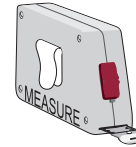
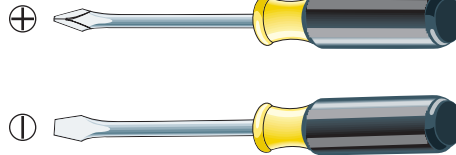
CEILING HEIGHT  
2,0M

REQUIRED ASSEMBLY SPACE

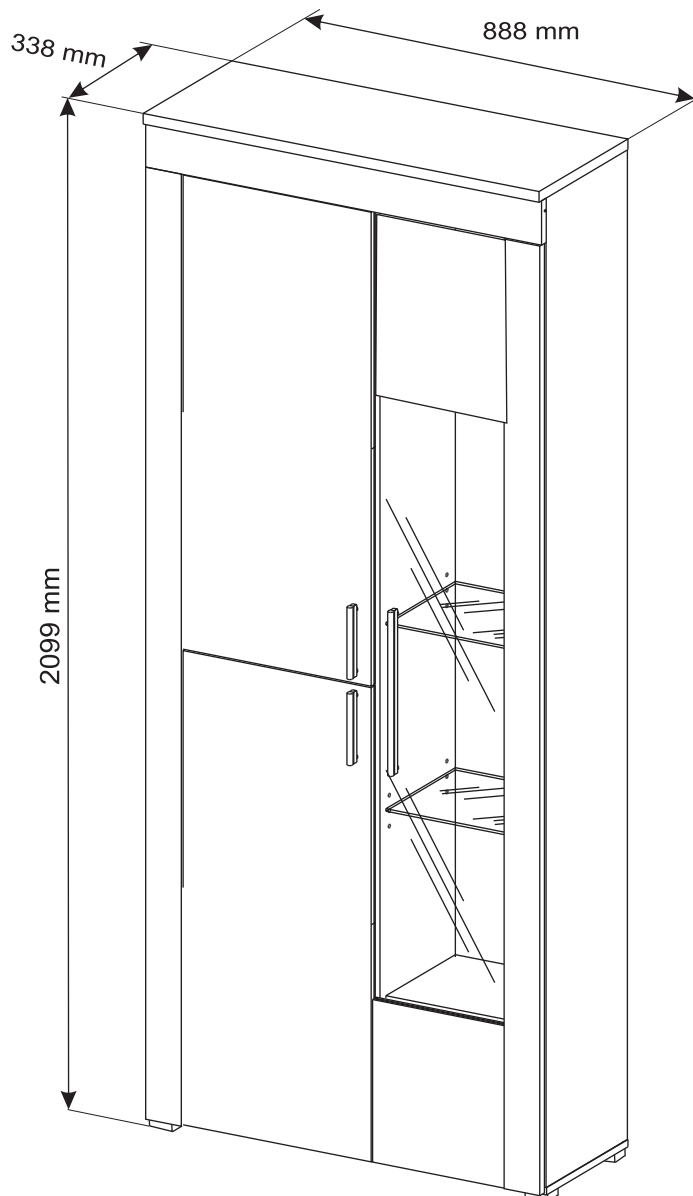


$\phi 8\text{mm}$

REQUIRED ASSEMBLY TOOLS



ASSEMBLED DIMENSIONS



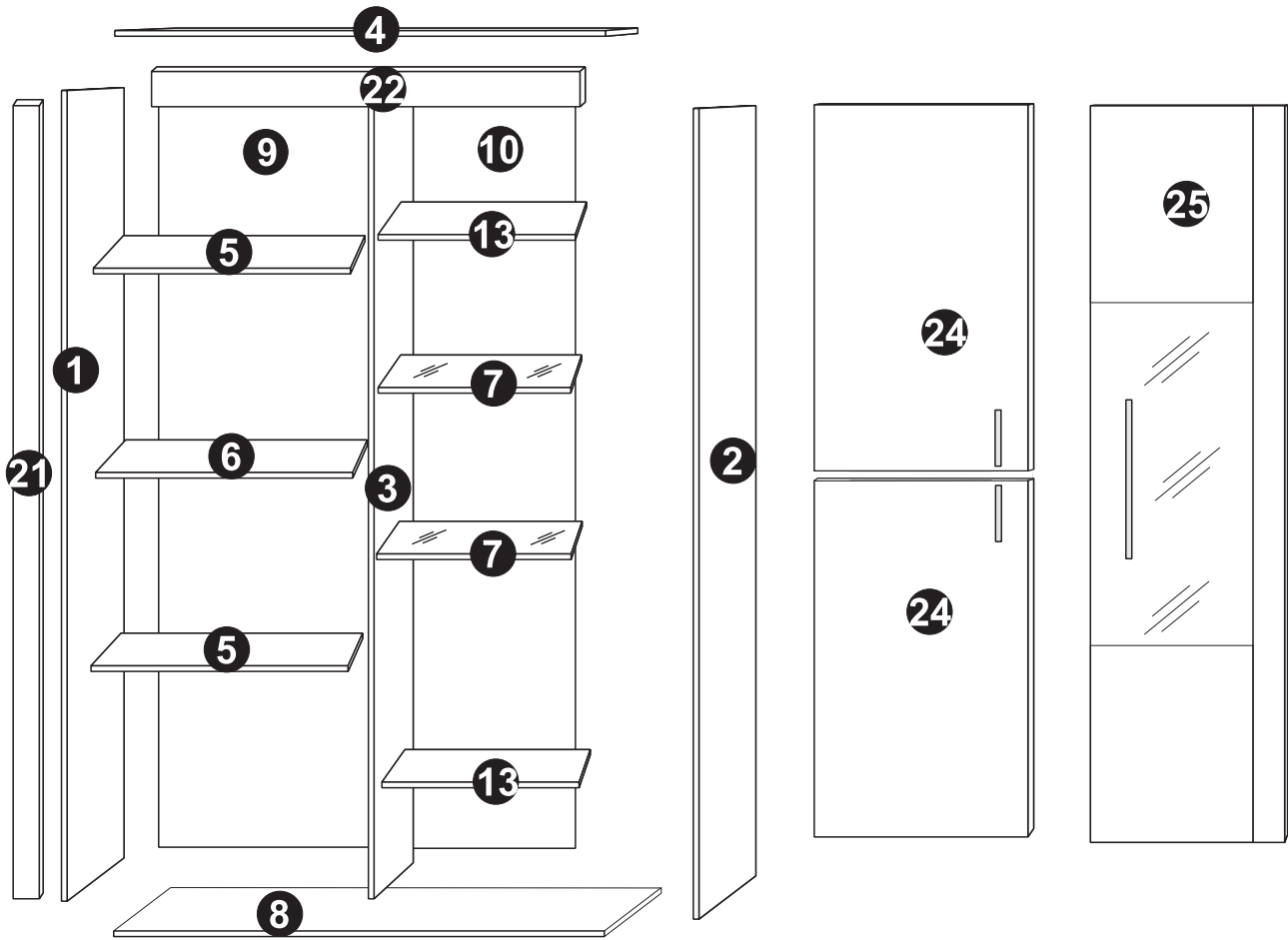
### PACK 1

CONSISTS OF PARTS :  
4, 5, 6, 7, 8, 13, 22, 24,  
Fittings

### PACK 2

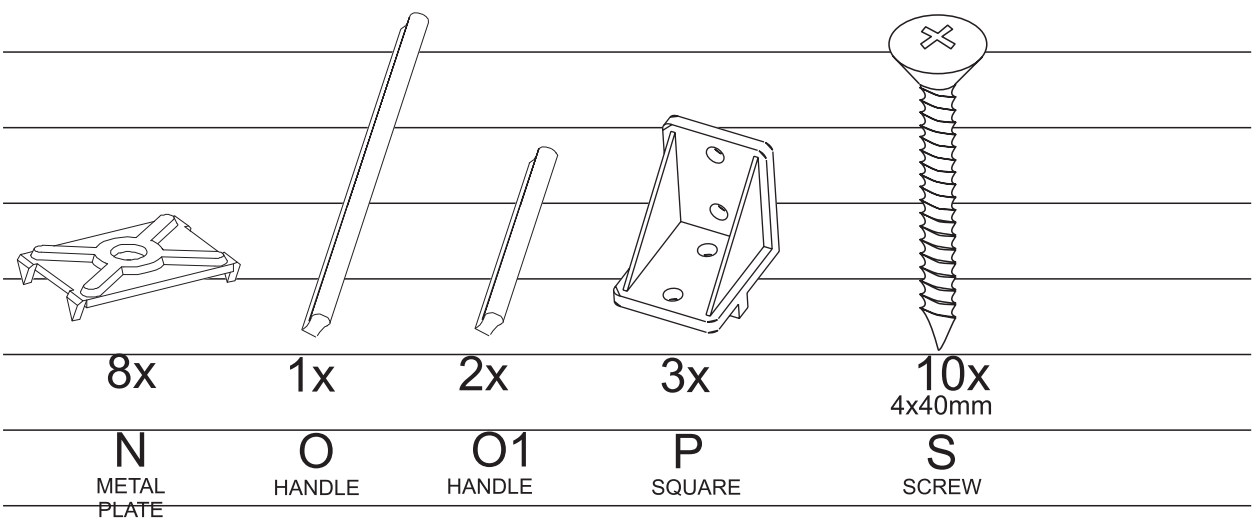
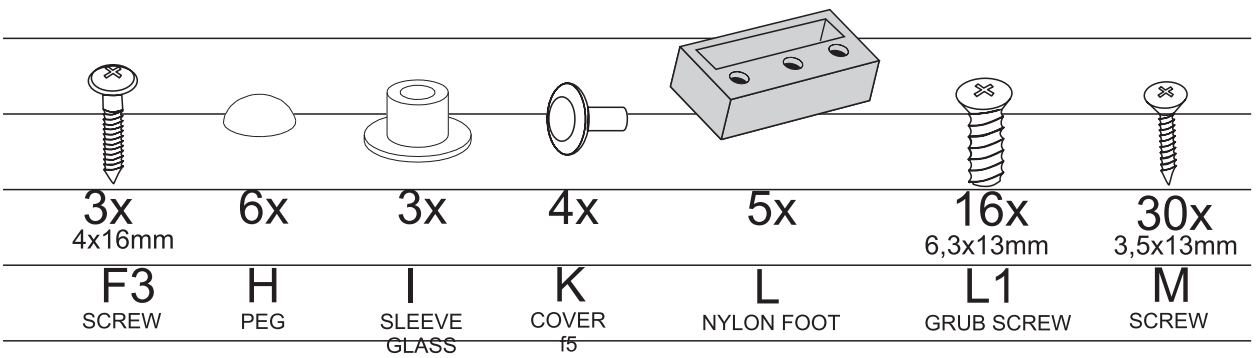
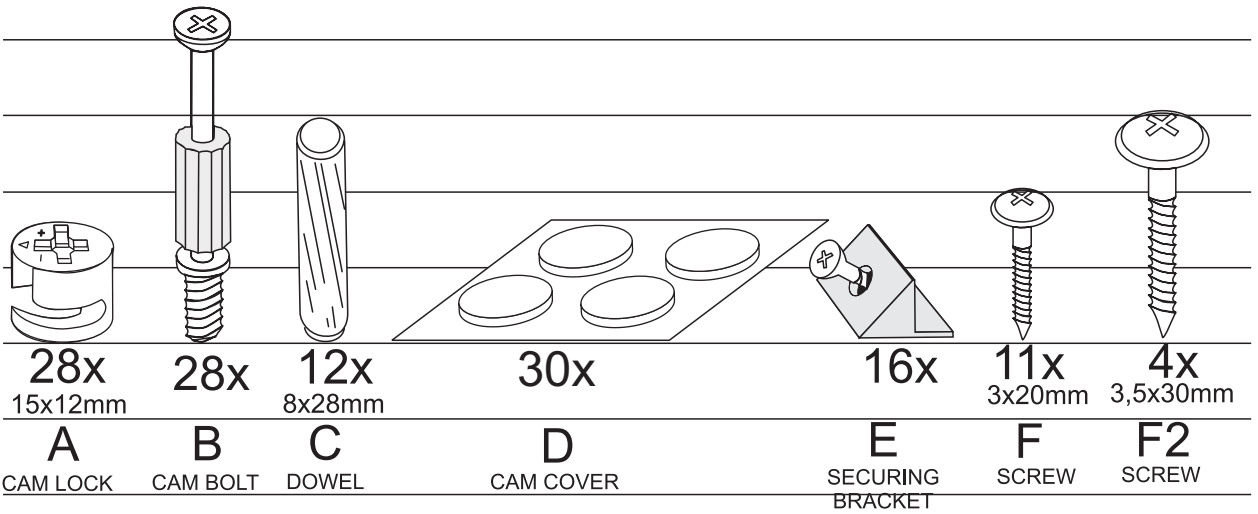
CONSISTS OF PARTS :  
1, 2, 3, 9, 10, 21, 25.

# PART LIST

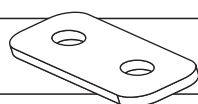


NO. PARTS LIST	QTY	NO. PARTS LIST	QTY
(1) LEFT SIDE PANEL	1	(22) PLINTH	1
(2) RIGHT SIDE PANEL	1	(24) LEFT DOOR	2
(3) CENTER DIVIDER	1	(25) RIGHT DOOR W/GLASS	1
(4) TOP PANEL	1		
(5) LEFT SHELF	2		
(6) LEFT HORIZONTAL DIVIDER	1		
(7) SHELF GLASS	2		
(8) BOTTOM PANEL	1		
(9) LEFT BACK PANEL	1		
(10) RIGHT BACK PANEL	1		
(13) RIGHT SHELF	2		
(21) LEFT PLINTH	1		

# HARDWARE LIST



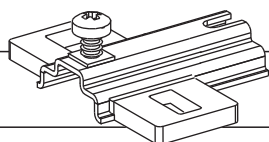
# HARDWARE LIST



1x

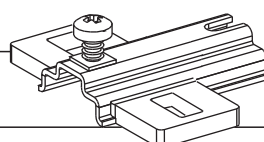
Q

METAL  
PLATE



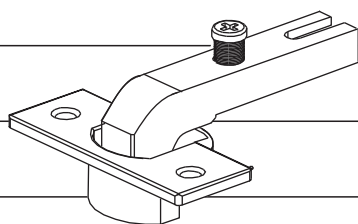
4x  
H-2  
V

HINGE PLATE

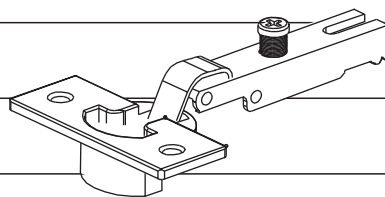


4x  
H-2  
V

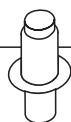
HINGE PLATE



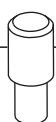
4x  
90°  
W  
HINGE



4x  
kr0  
W1  
HINGE



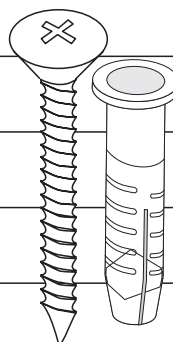
8x  
5x16mm  
Z  
SHELF  
SUPPORT



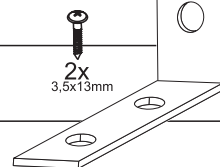
8x  
5x16mm  
Z1  
SHELF GLASS  
SUPPORT



2x  
X  
LEVEL QUOIN



1x  
4x35mm  
R  
PLASTIC  
DOWEL



2x  
3,5x13mm  
1x  
T  
ANGLE

## **Top Tips before you start!**

1. Please check that all parts are present before you start the assembly of your furniture, as once assembled, the furniture is exempt from our home approval policy.
2. For ease and speed of assembly, we recommend that before you commence each step of the assembly, that you identify all the parts required for that step.
3. For larger items, please ensure that you have sufficient space and people ( as indicated on page 1) to assemble your product safely.
4. We recommend that, where possible, all items are assembled near to the area in which they will be placed in use, to avoid moving the product unnecessarily once assembled.
5. For the protection of your furniture, particularly items of high gloss finish, we recommend that the product is placed on a protected surface during assembly to prevent any damage.
6. During assembly please take care not to over-tighten any fittings, as this may damage the product .

## **Care and Maintenance of your Furniture**

Please periodically check all fittings and re-tighten as necessary.

Please do not sit or stand on this item.

Never allow any kind of liquid to remain on your furniture. Absorption can cause wood to warp or finishes to de-laminate.

Please do not drag and pull your furniture.

# SPECIAL TIPS FOR FITTING CAM-LOCKS AND CAM-PILLARS

## CAM-LOCK

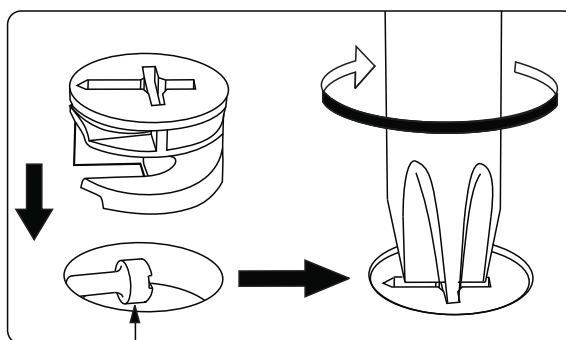


WHEN FITTING CAMS  
ENSURE STARTING POSITION IS CORRECT  
BEFORE YOU INSERT CONNECTING CAM-PILLAR  
TURN CLOCKWISE UNTIL SECURE

✓ ✗

CORRECT WRONG

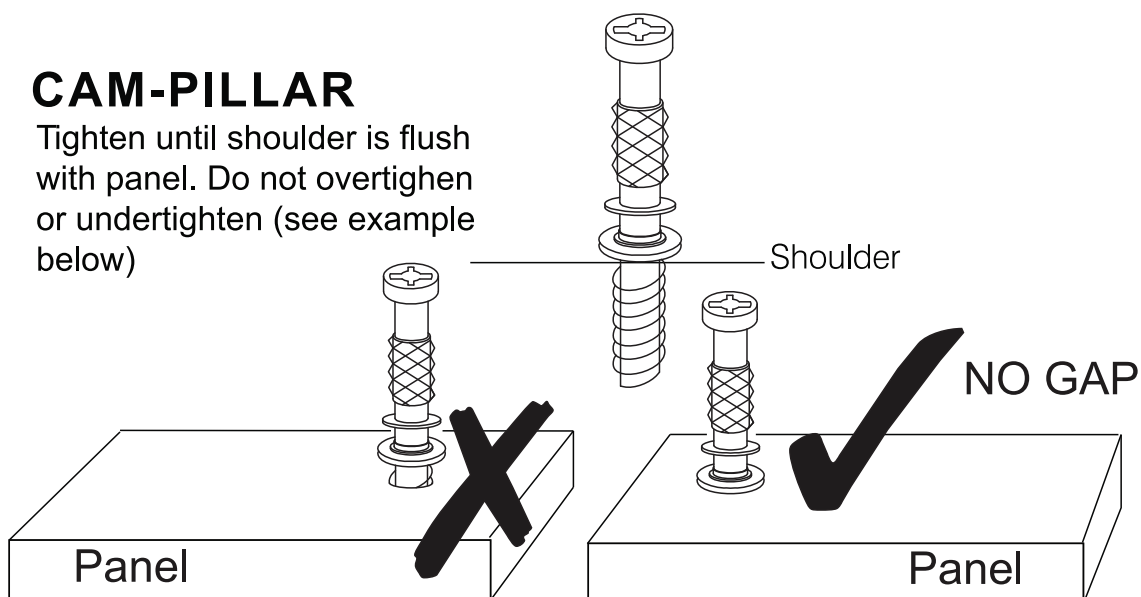
Align with long point of cross



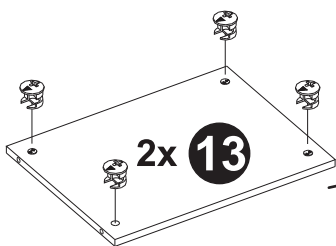
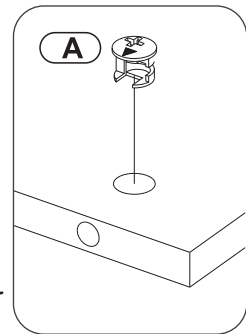
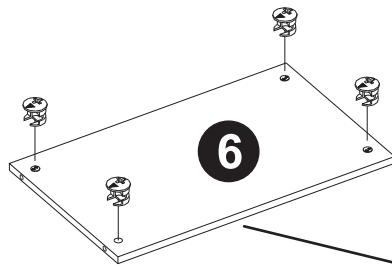
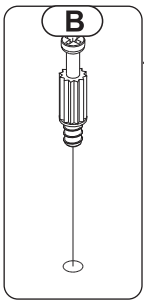
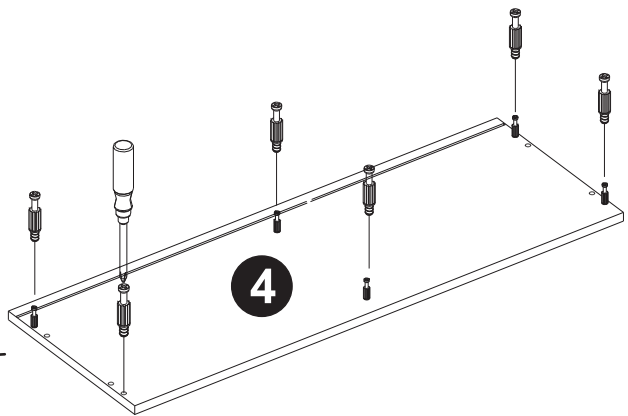
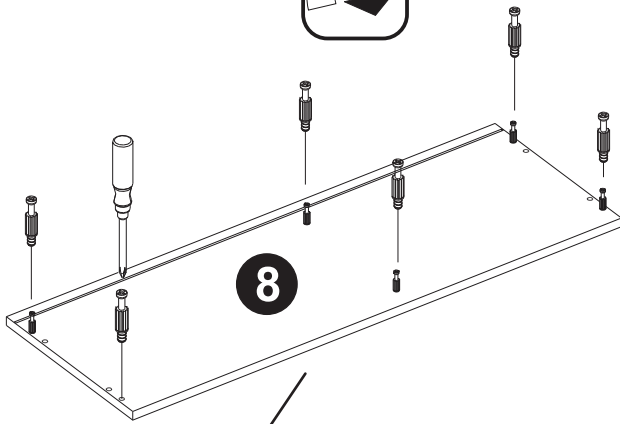
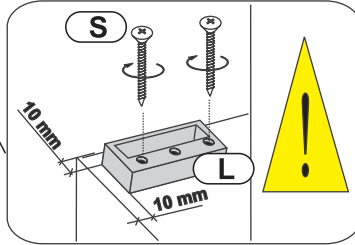
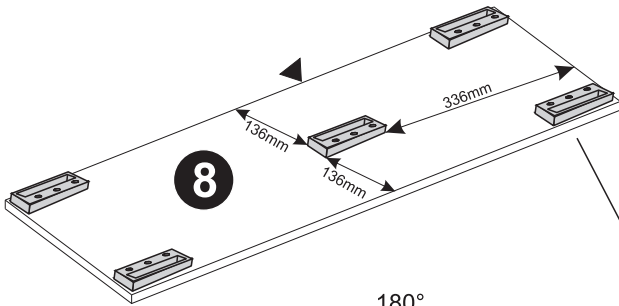
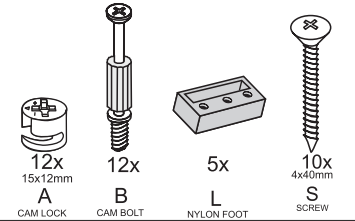
Pillar head needs to be in centre

## CAM-PILLAR

Tighten until shoulder is flush with panel. Do not overtighten or undertighten (see example below)

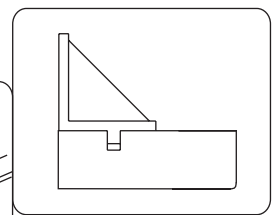
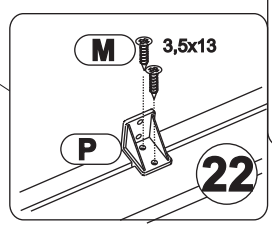
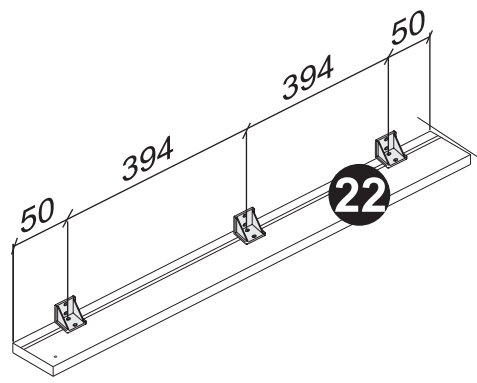
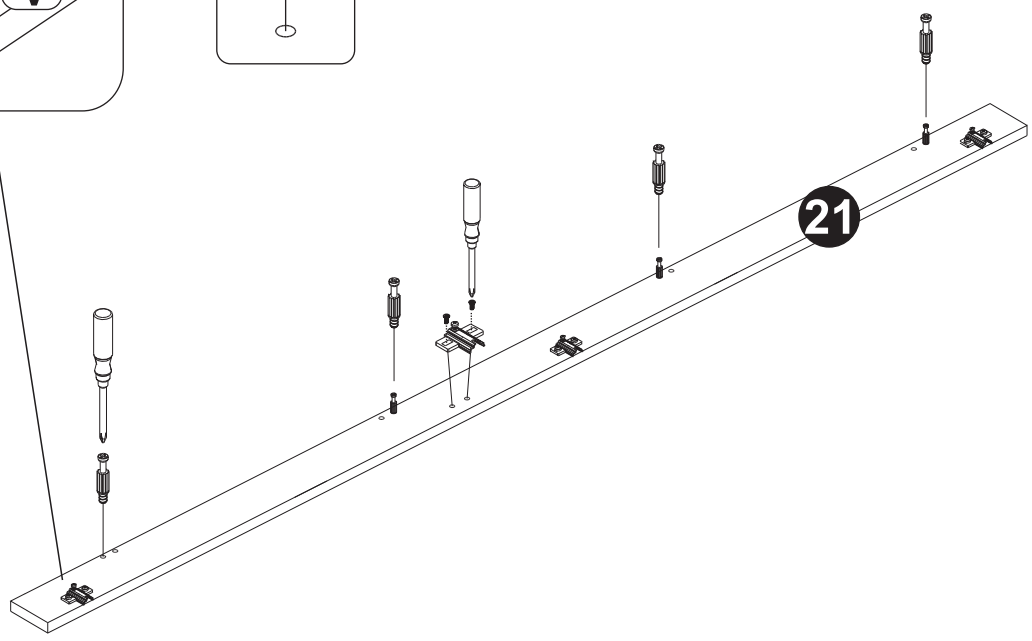
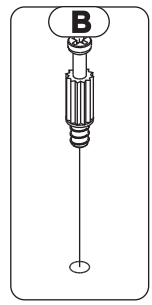
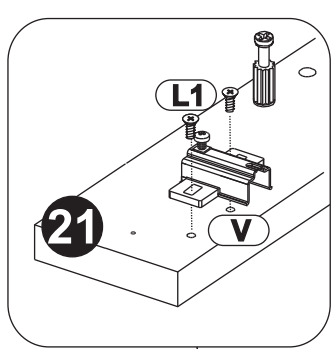


# STEP 1

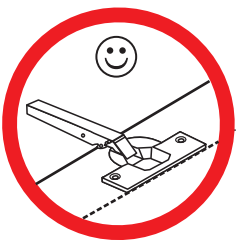
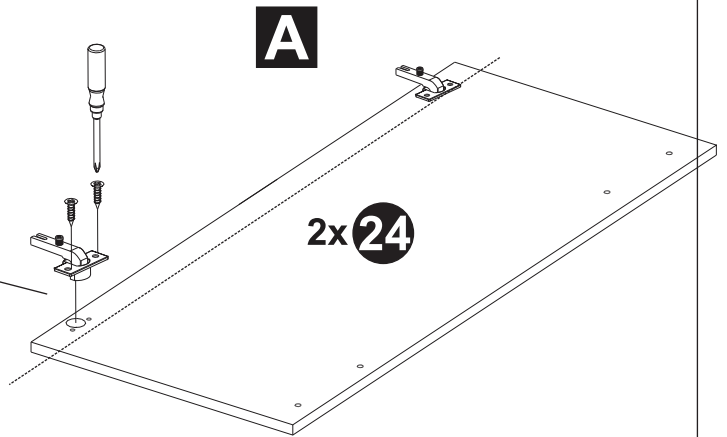
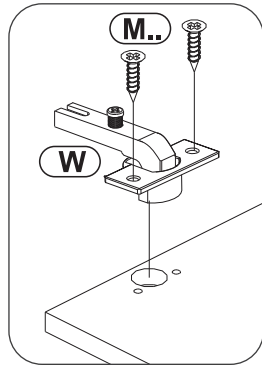
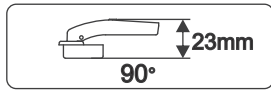
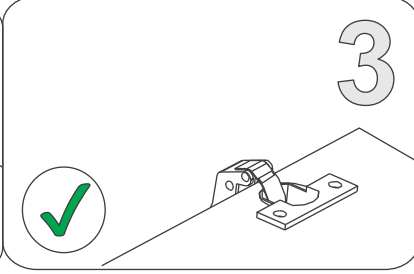
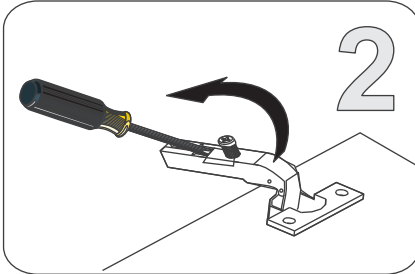
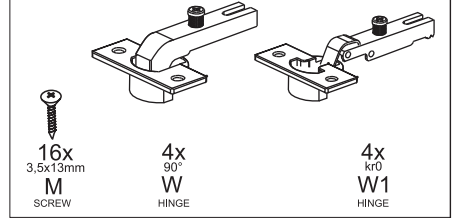
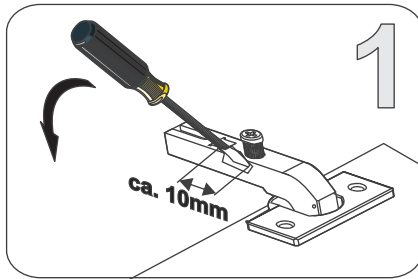


# STEP 2

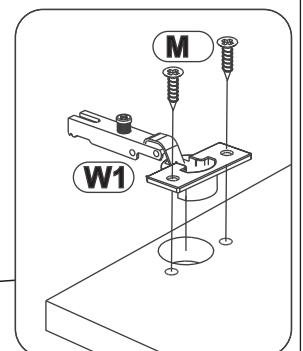
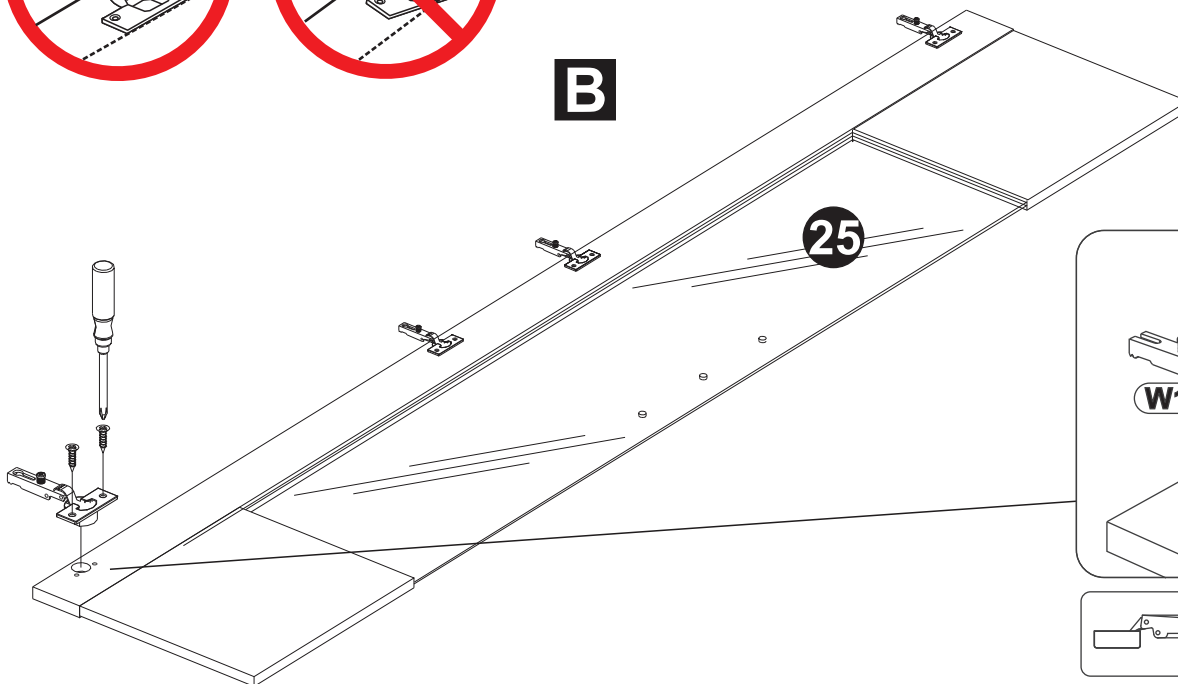
- 4x B CAM BOLT
- 6x 3,5x13mm M SCREW
- 8x 6,3x13mm L1 GRUB SCREW
- 3x P SQUARE
- 4x H-2 V HINGE PLATE







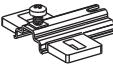
# STEP 3

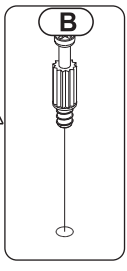
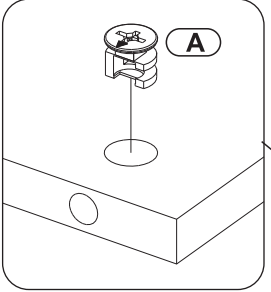
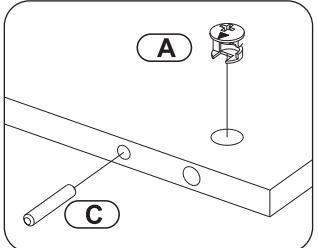
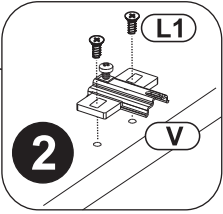
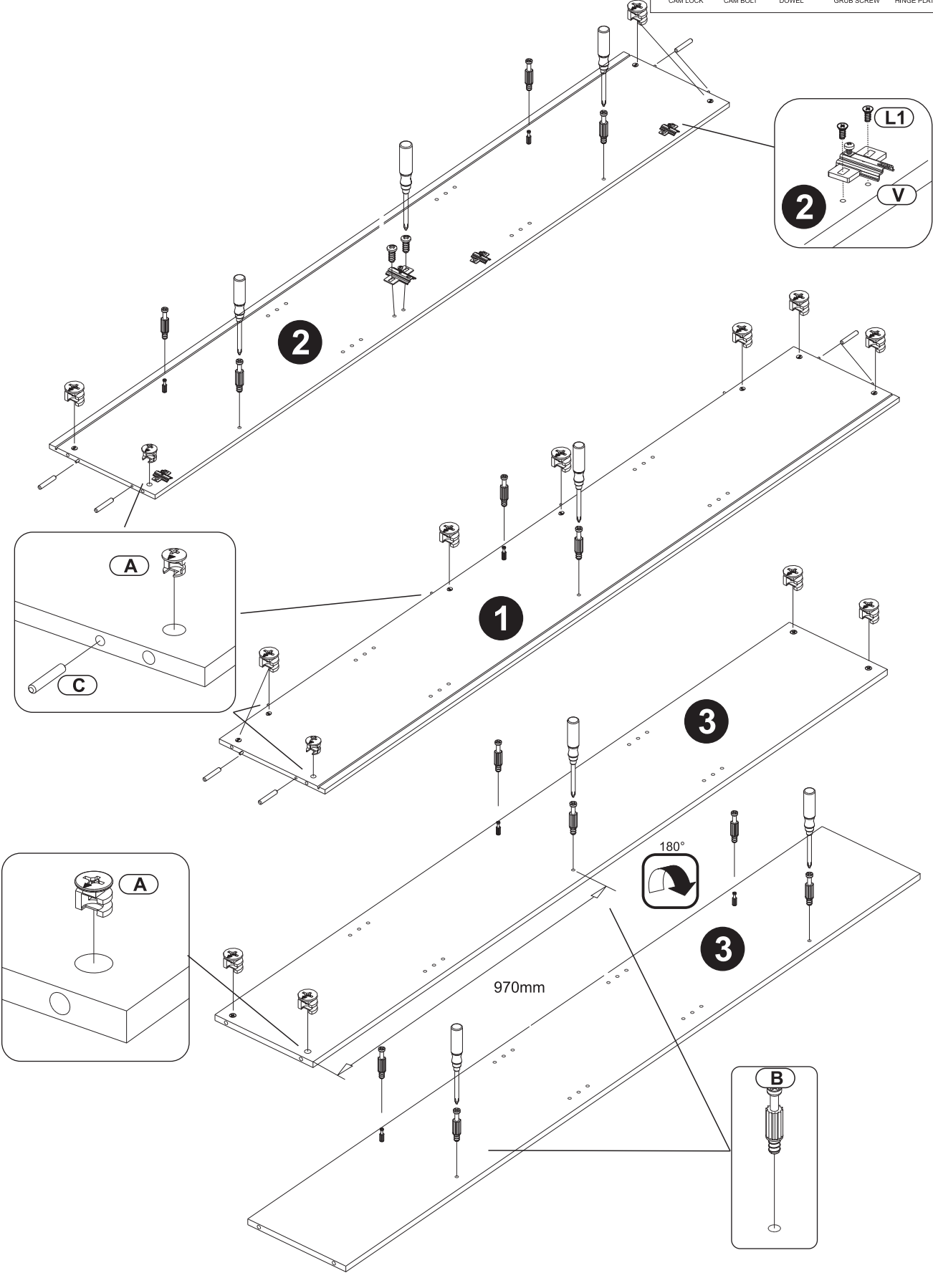


B



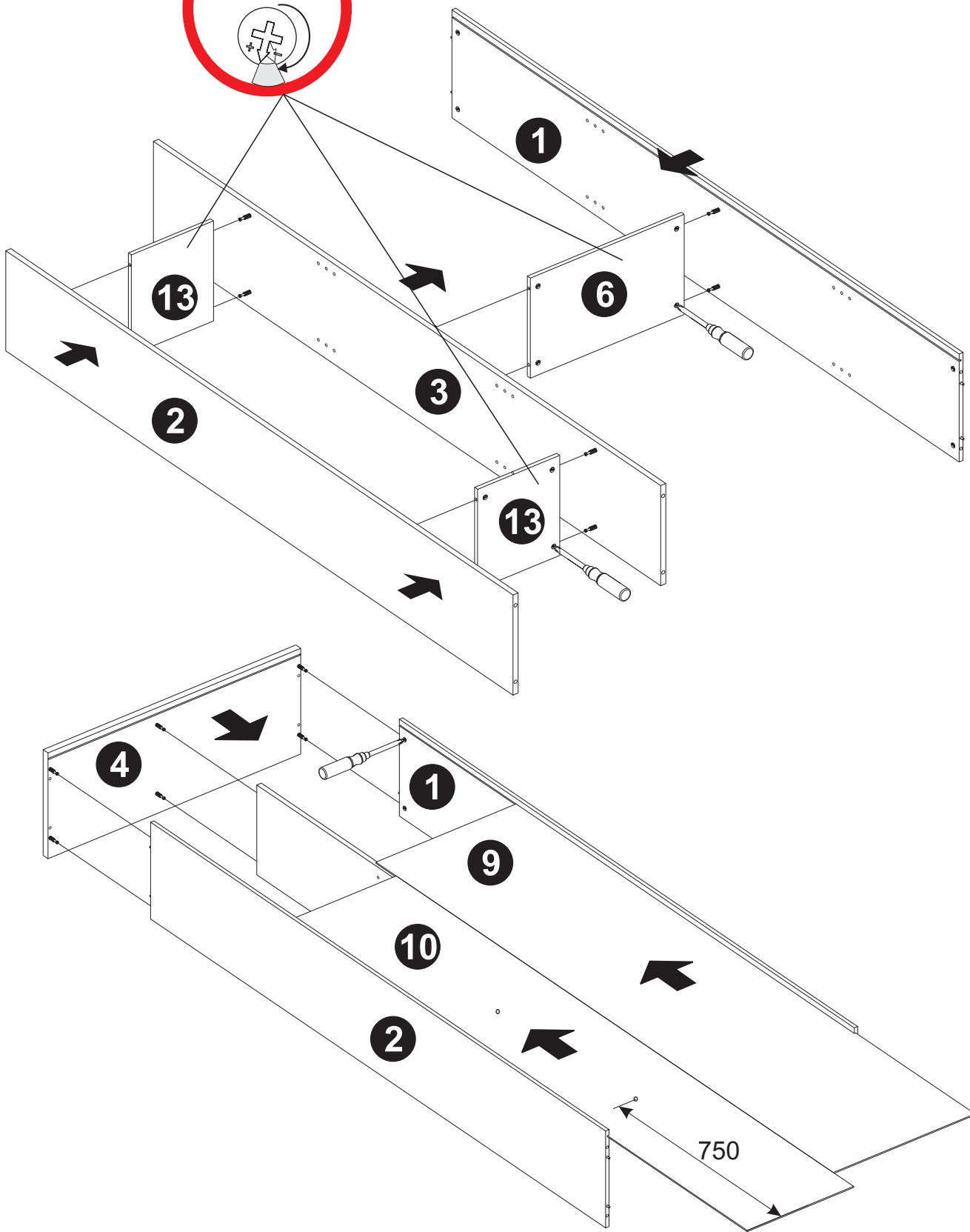
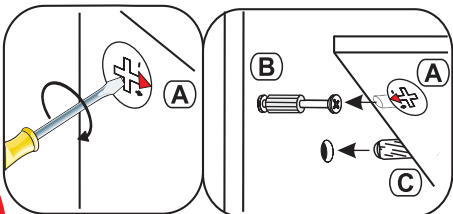
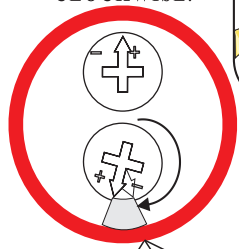
# STEP 4

-   
**16x**  
 15x12mm  
**A**  
 CAM LOCK
-   
**12x**  
**B**  
 CAM BOLT
-   
**12x**  
 8x28mm  
**C**  
 DOWEL
-   
**8x**  
 6,3x13mm  
**L1**  
 GRUB SCREW
-   
**4x**  
 H-2  
**V**  
 HINGE PLATE

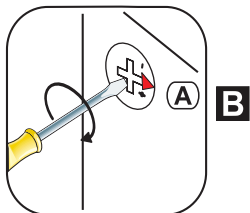
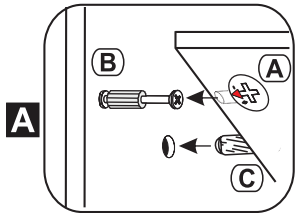
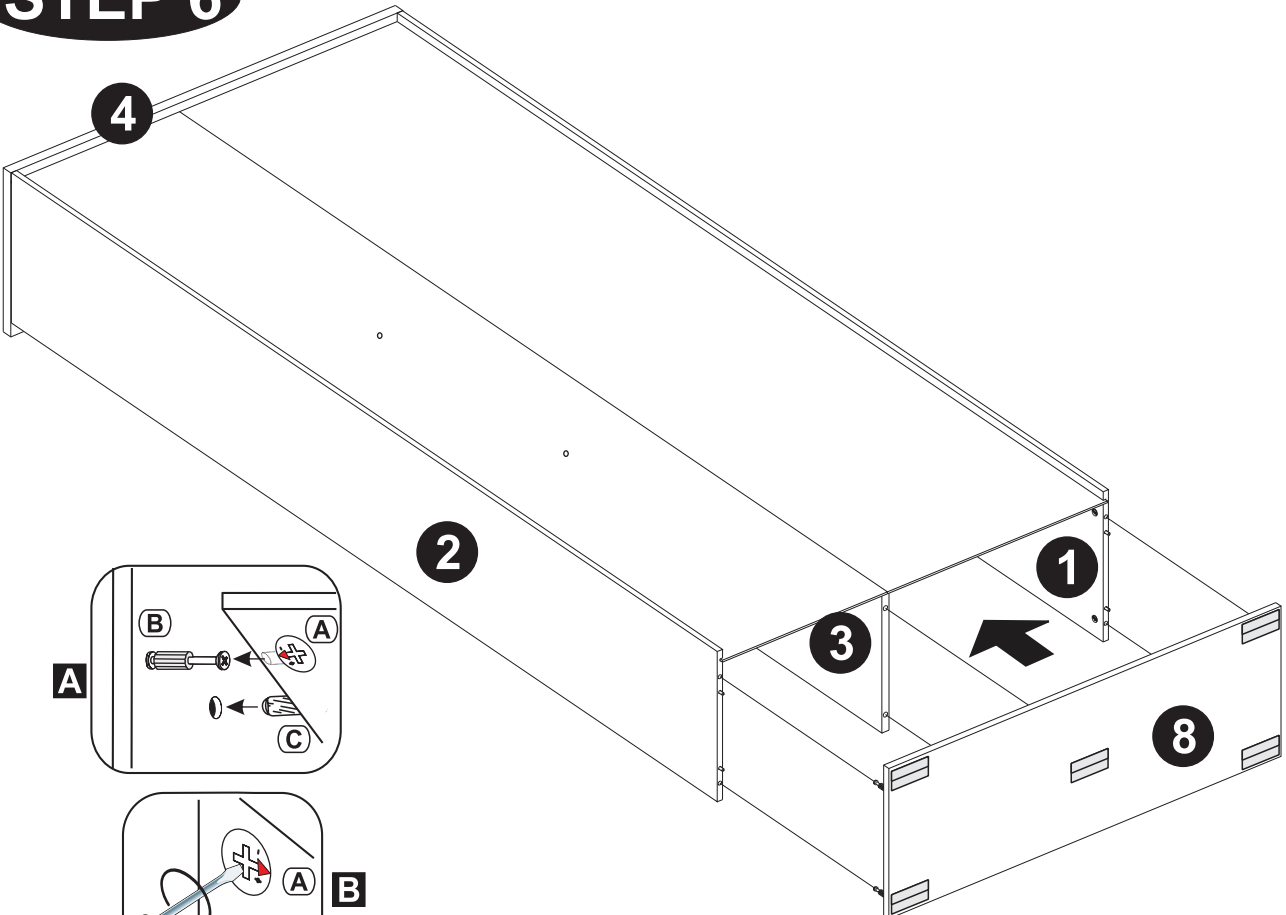


# STEP 5

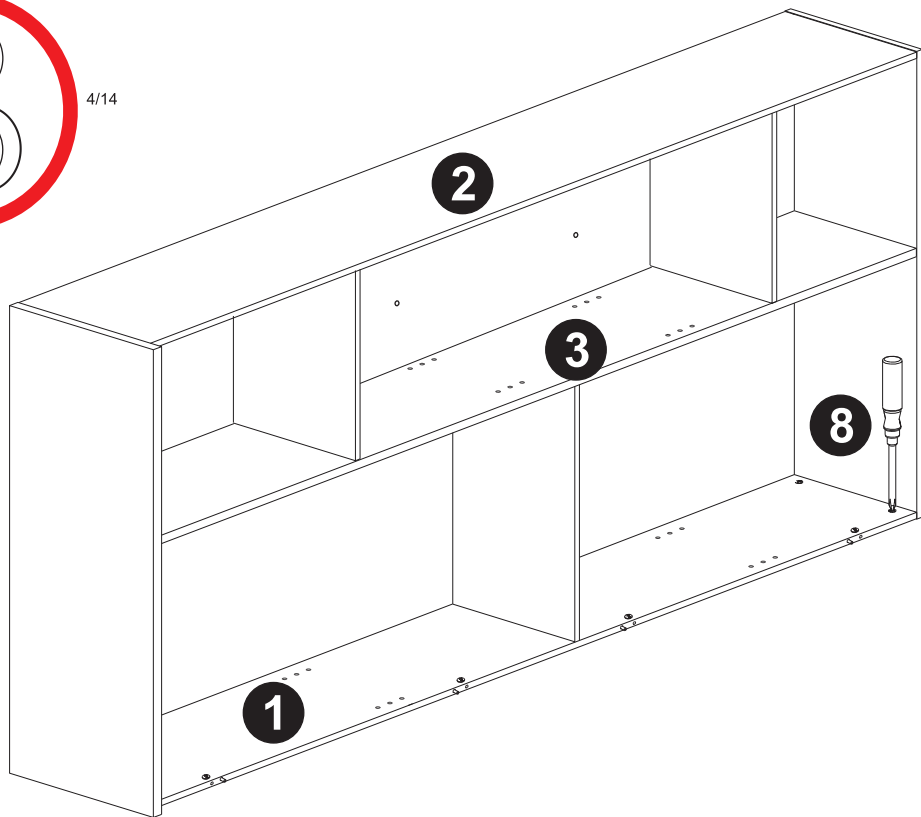
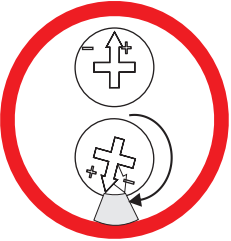
1/2 TURN  
CLOCKWISE.



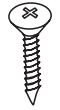
# STEP 6



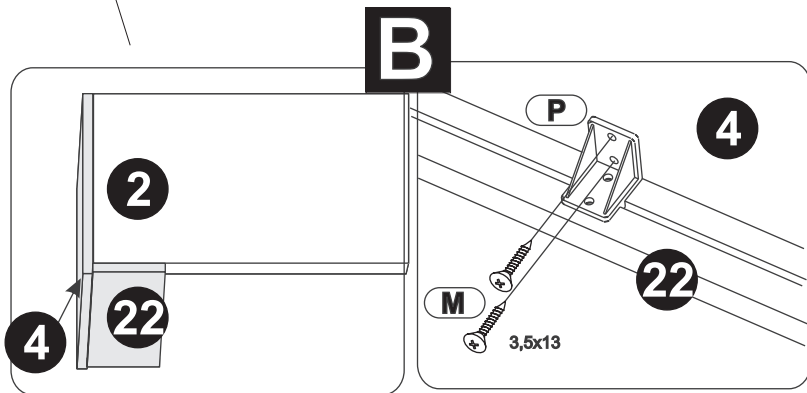
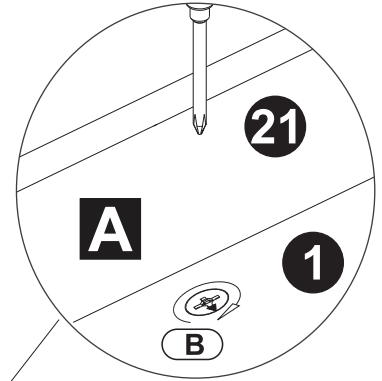
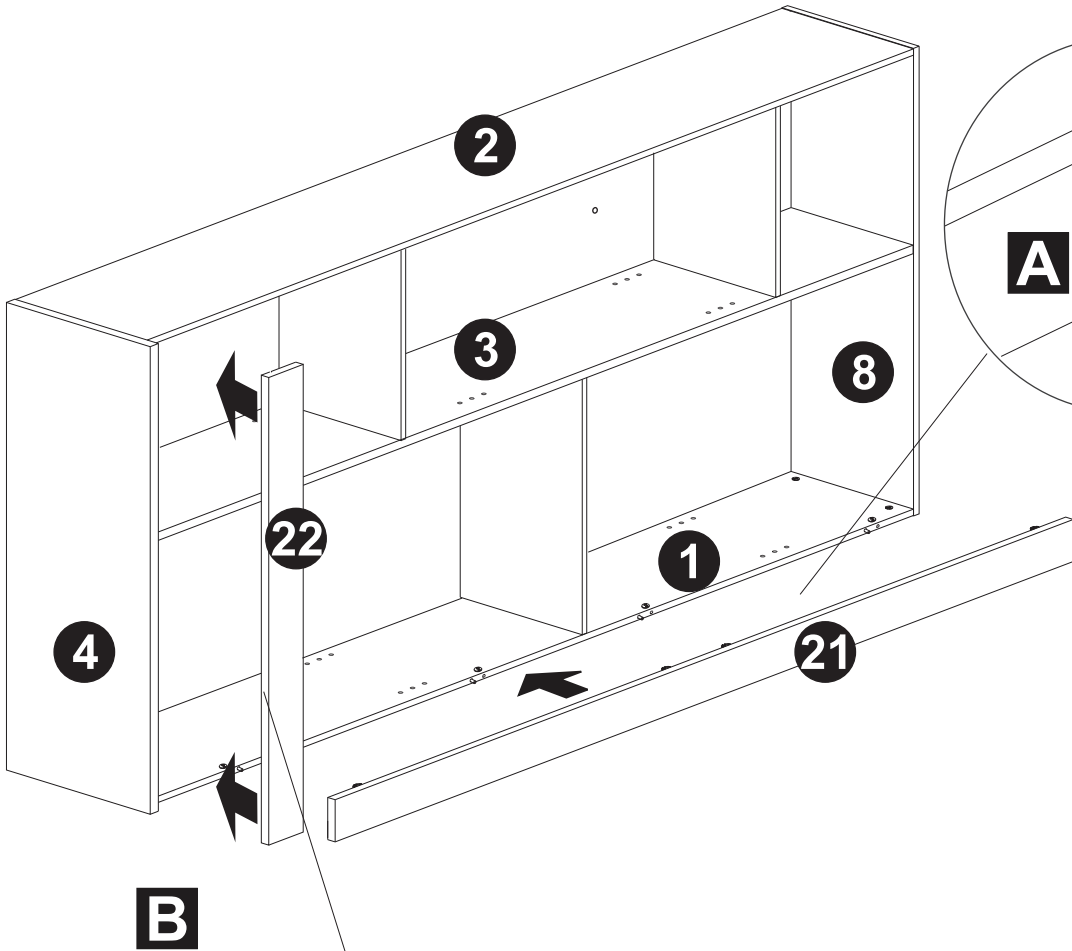
1/2 TURN  
CLOCKWISE.



# STEP 7



6x  
3,5x13mm  
M  
SCREW



# STEP 8



8x

N  
METAL  
PLATE



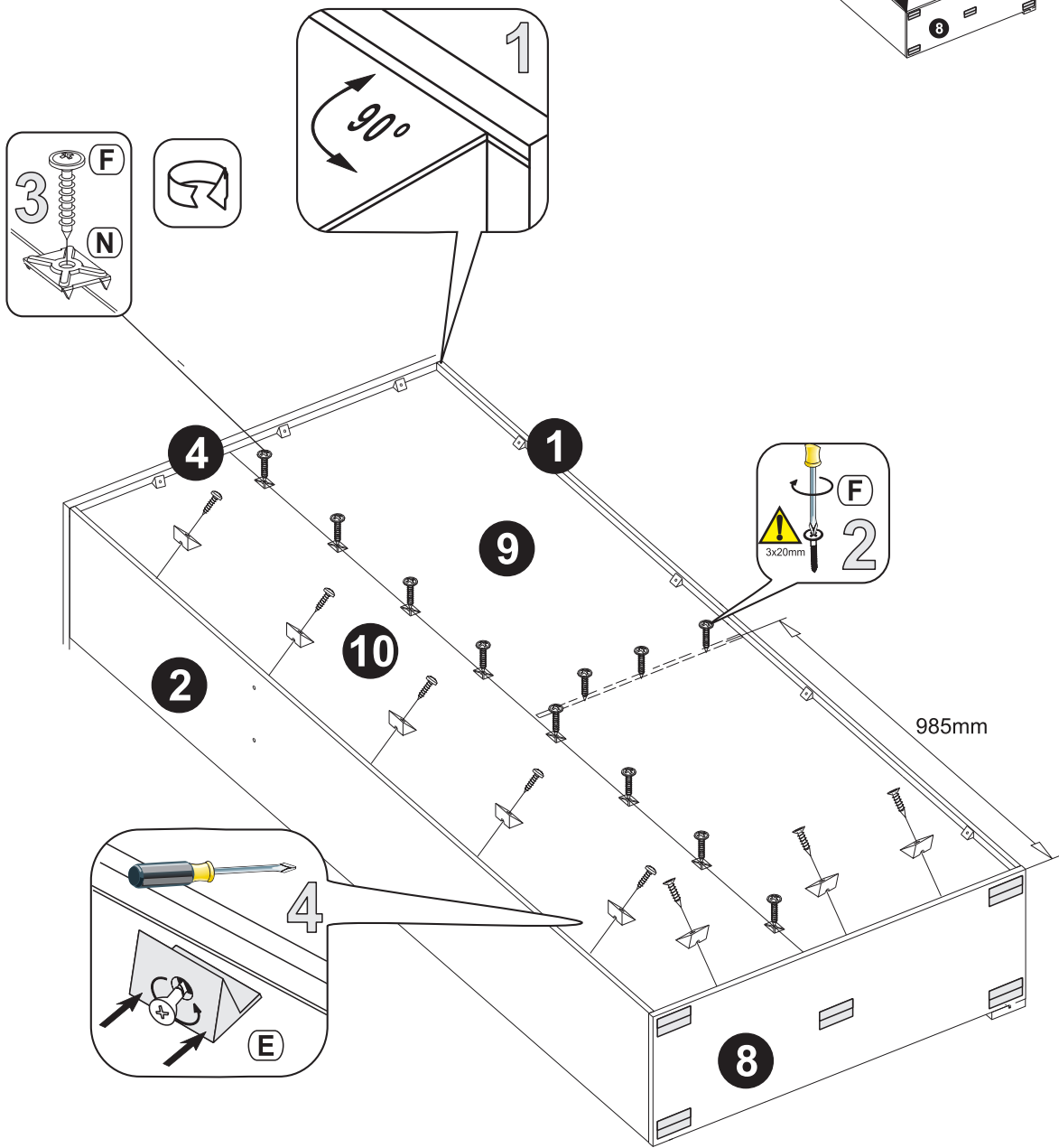
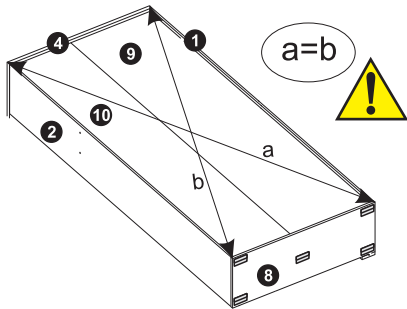
16x

E  
SECURING  
BRACKET



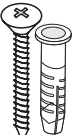
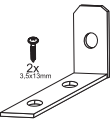



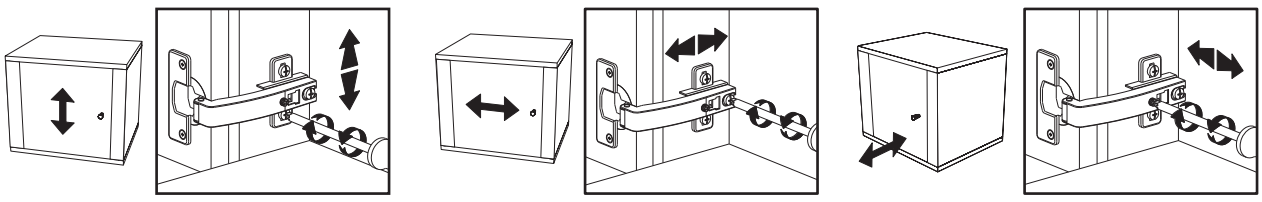
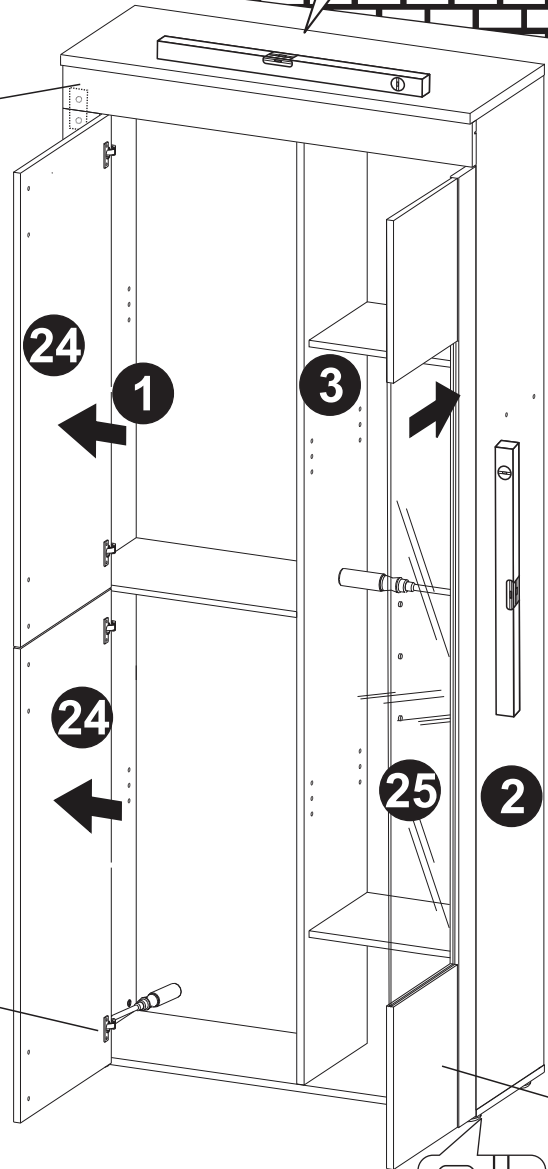
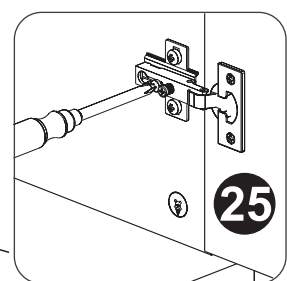
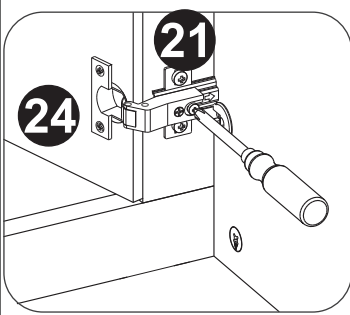
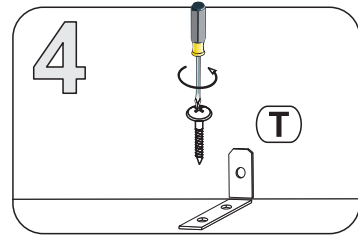
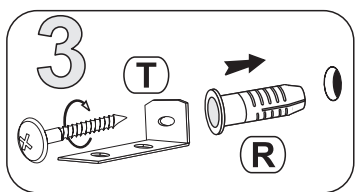
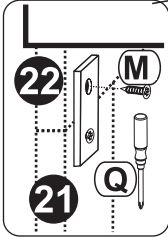
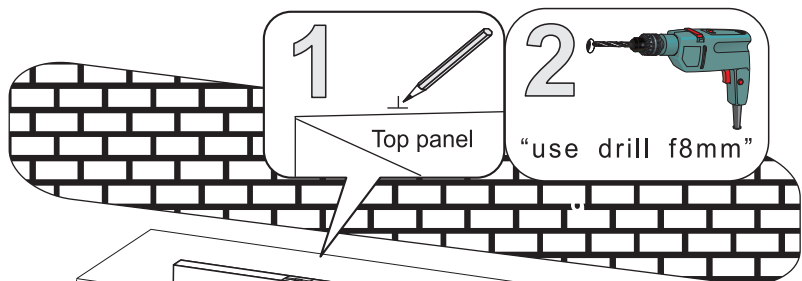
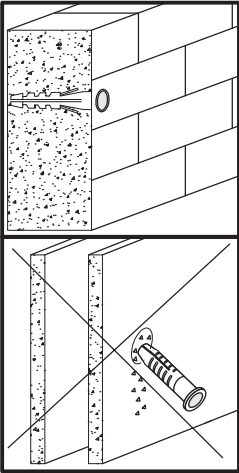
11x  
3x20mm

F  
SCREW



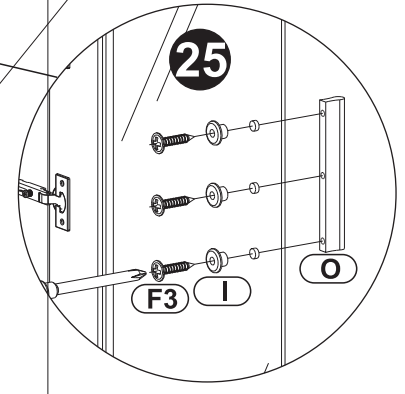
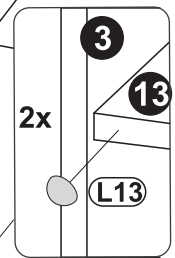
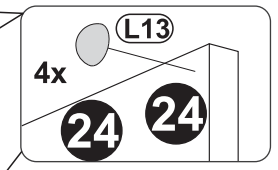
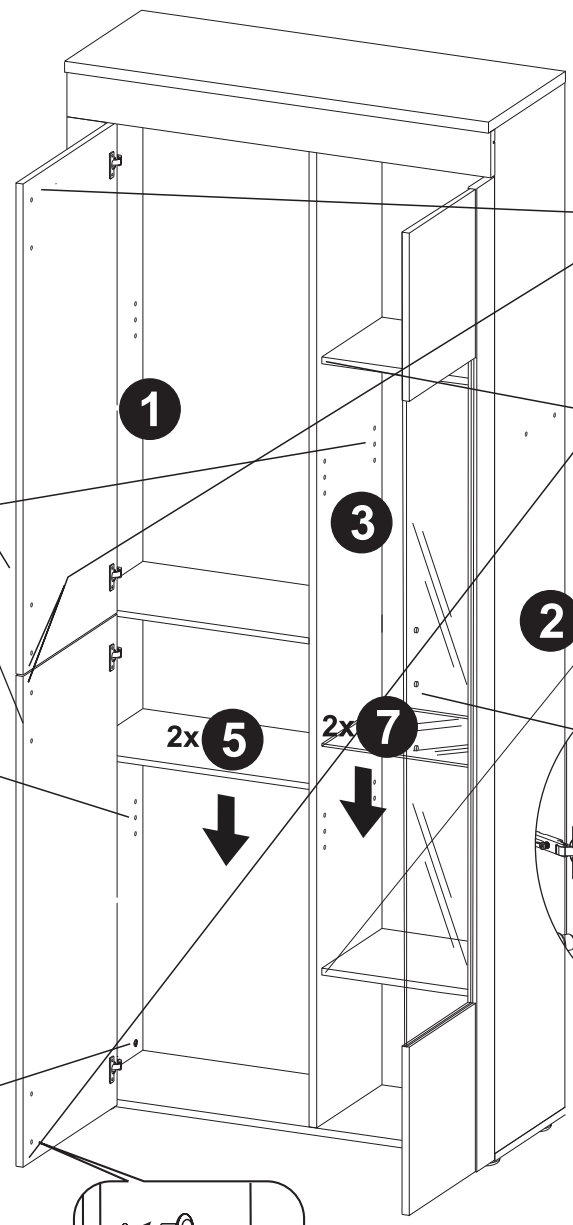
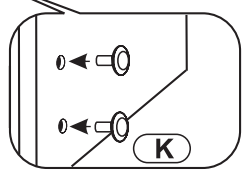
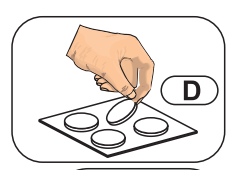
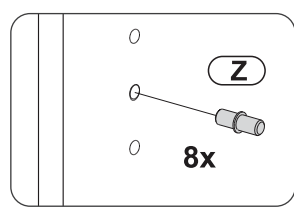
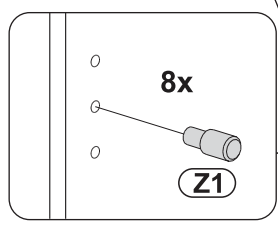
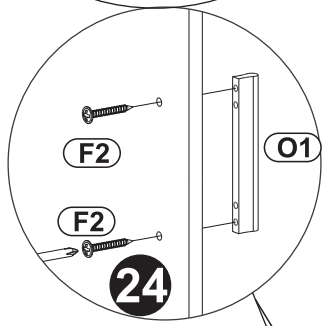
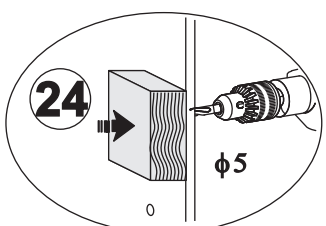
# STEP 9

-   
 2x  
 3,5x13mm  
**M**  
 SCREW
-   
 1x  
**Q**  
 METAL  
 PLATE
-   
 1x  
 4x35mm  
**R**  
 PLASTIC  
 DOWEL
-   
 1x  
**T**  
 ANGLE
-   
 2x  
**X**  
 LEVEL  
 QUOIN



# STEP 10

28x	8x 5x15mm	8x 5x15mm	1x 1:2	2x 1:2	4x K	4x 3,5x30mm F2	3x 4x16mm F3	6x H	3x I
D CAM COVER	Z SHELF SUPPORT	Z1 SHELF GLASS SUPPORT	O HANDLE	O1 HANDLE	K COVER	F2 SCREW	F3 SCREW	H PEG	I SLEEVE GLASS



LED Lights in type 317

# STEP 11

