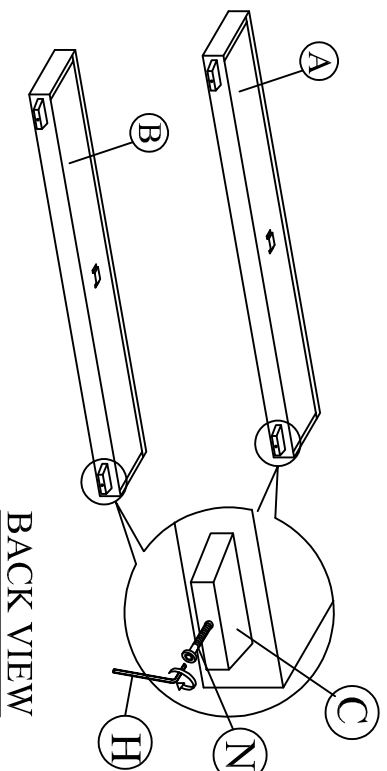


Model : CF 8977-C (46")

Assembly Instruction

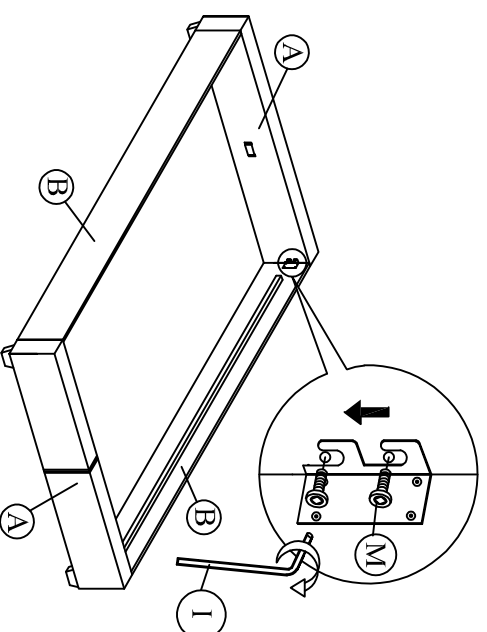
A	board	2 pcs
B	Side Rail	2 pcs
C	Legs	4 pcs
D	Center Rail	1 pc
E	15 Pcs Slat	1 pc
F	Support Legs	2 pcs
G	JCBC M6 x 40	2 pcs
H	Allen Key 100mm	1 pc
I	Allen Key 70mm	1 pc
J	CSK Screw 25mm	2 pcs
K	CSK Screw 32mm	33 pcs
L	Adjuster	2 pcs
M	JCBB M8 x 20	8 pcs
N	JCBC M6 x 50	4 pcs

Step 1 : Fix the board (A) with legs (C) as shown.

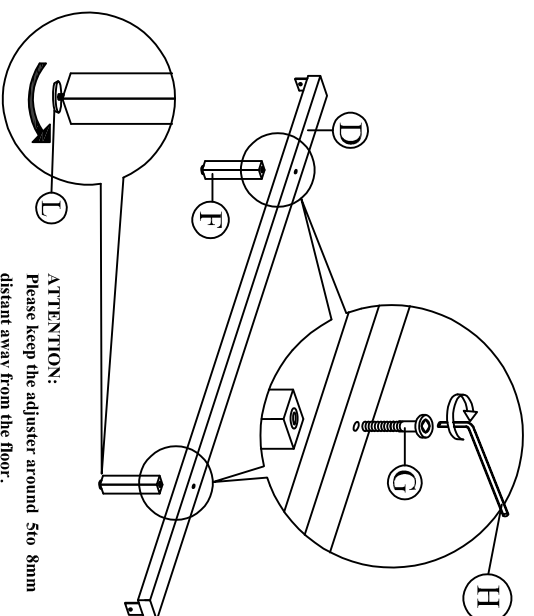


BACK VIEW

Step 2 : Attach side rail (B) to board (A) by pushing the bracket down to fit it.

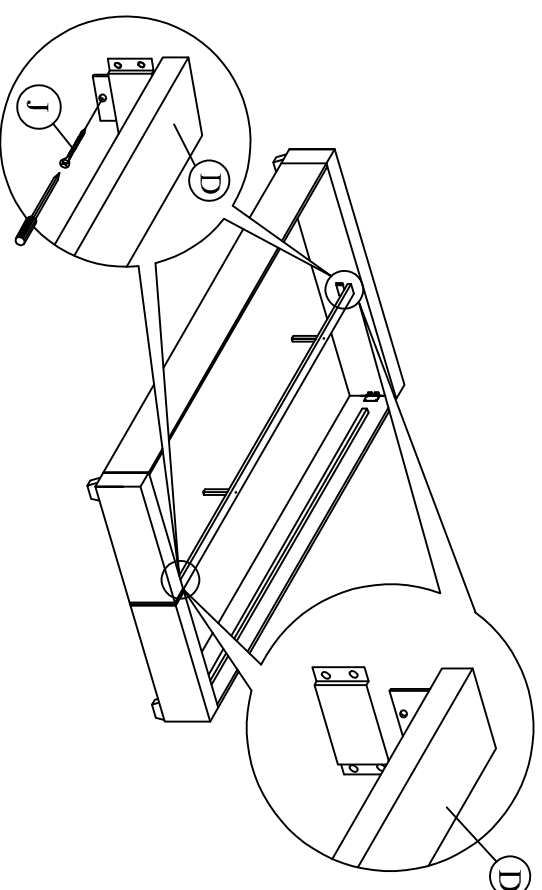


Step 3 : Attach the support legs (F) to the center rail (D).



ATTENTION:
Please keep the adjuster around 5to 8mm distant away from the floor.

Step 4 : Slide the center rail (D) to the headboard (A) and footboard (B). Tighten screws (J) using screw driver (not included) to the headboard (A) and footboard (B).



Step 5 : Affix the Slats (E) to the side rails and the center rail (D). Tighten all 4 corners.

