

ASSEMBLY INSTRUCTION

DESCRIPTION: Type 131 BOOM

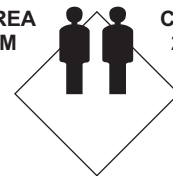
2.5 hrs

APPROXIMATE ASSEMBLY TIME
EXCLUDING GLUE SETTING TIME

2 PERSON ASSEMBLY

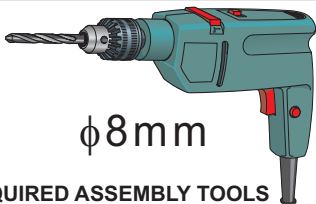


FLOOR AREA
2,5M X 2,5M



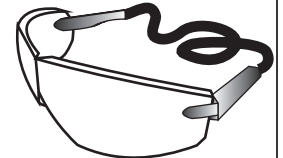
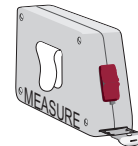
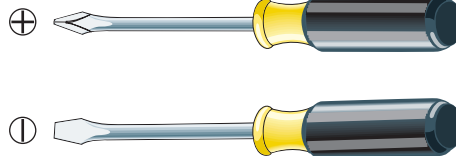
CEILING HEIGHT
2,0M

REQUIRED ASSEMBLY SPACE

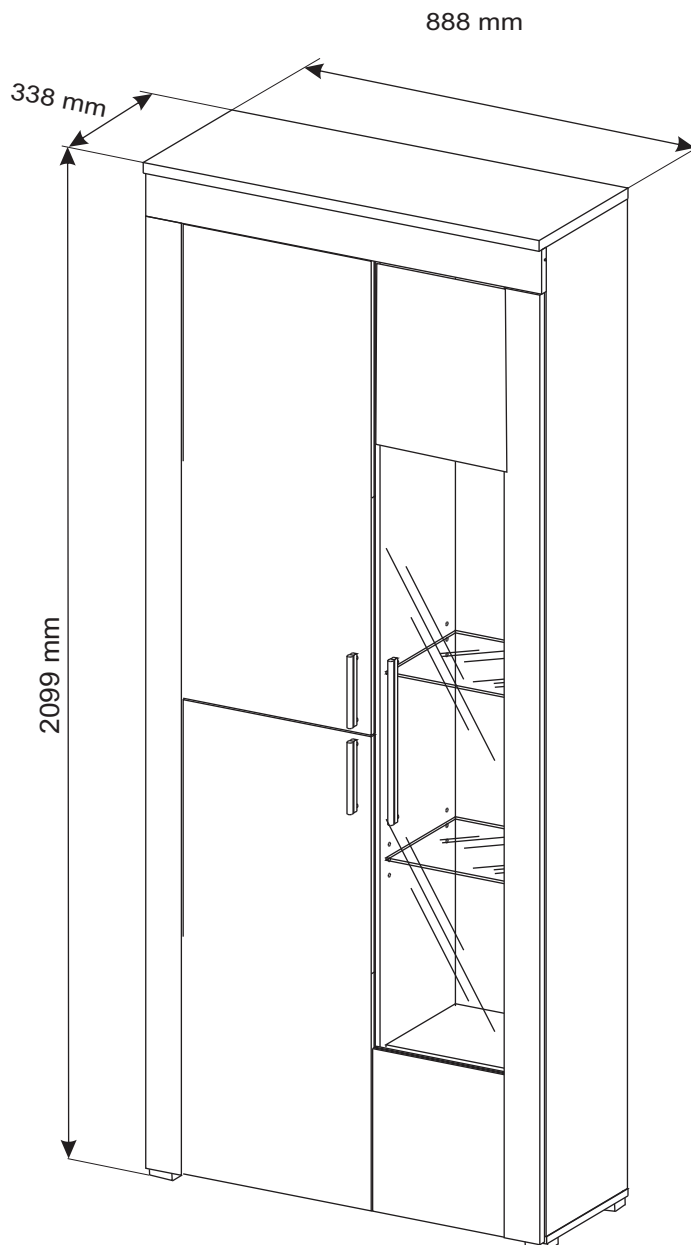


φ8mm

REQUIRED ASSEMBLY TOOLS



ASSEMBLED DIMENSIONS



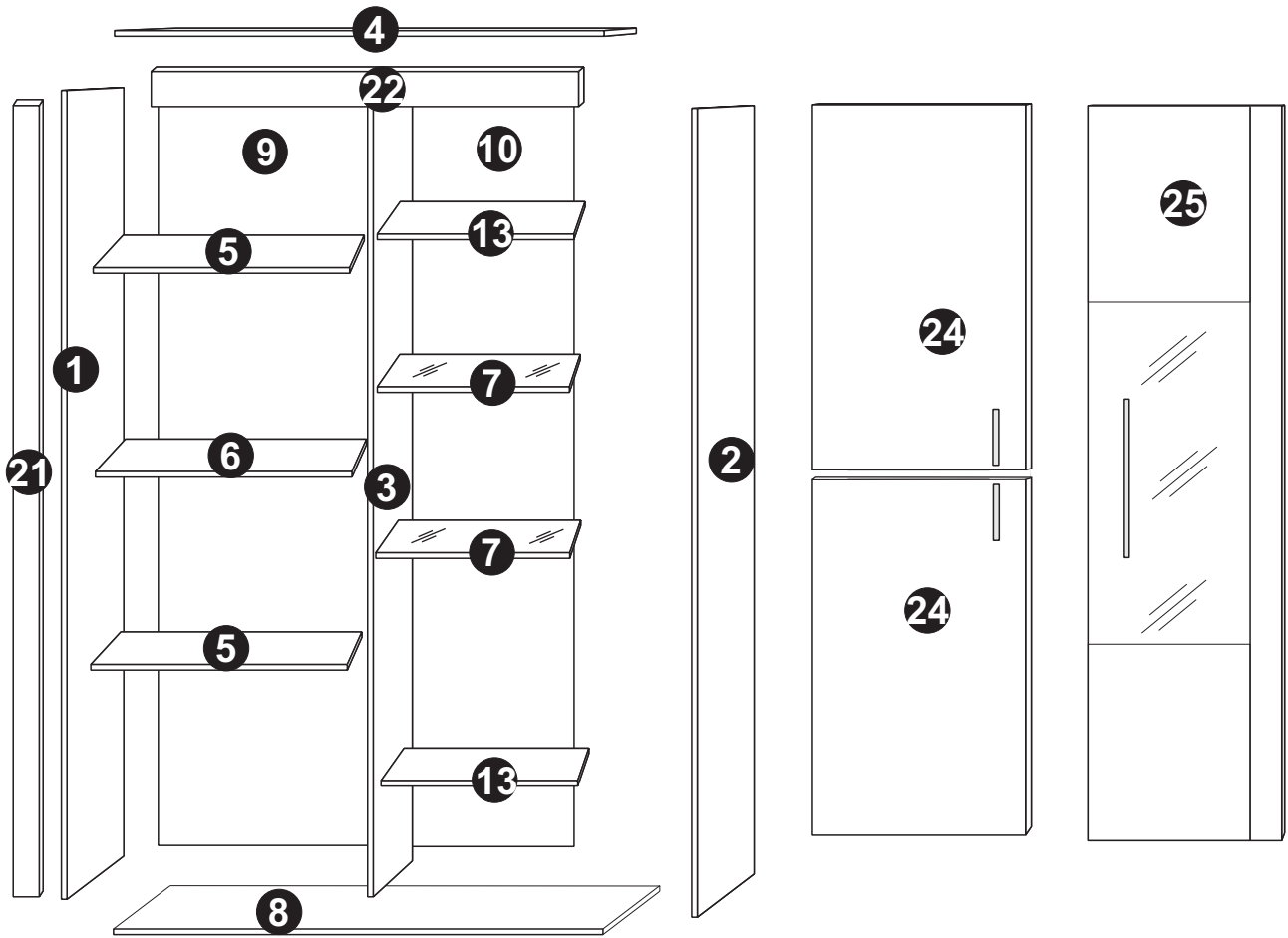
PACK 1

CONSISTS OF PARTS :
4, 5, 6, 7, 8, 13, 22, 24,
Fittings

PACK 2

CONSISTS OF PARTS :
1, 2, 3, 9, 10, 21, 25.

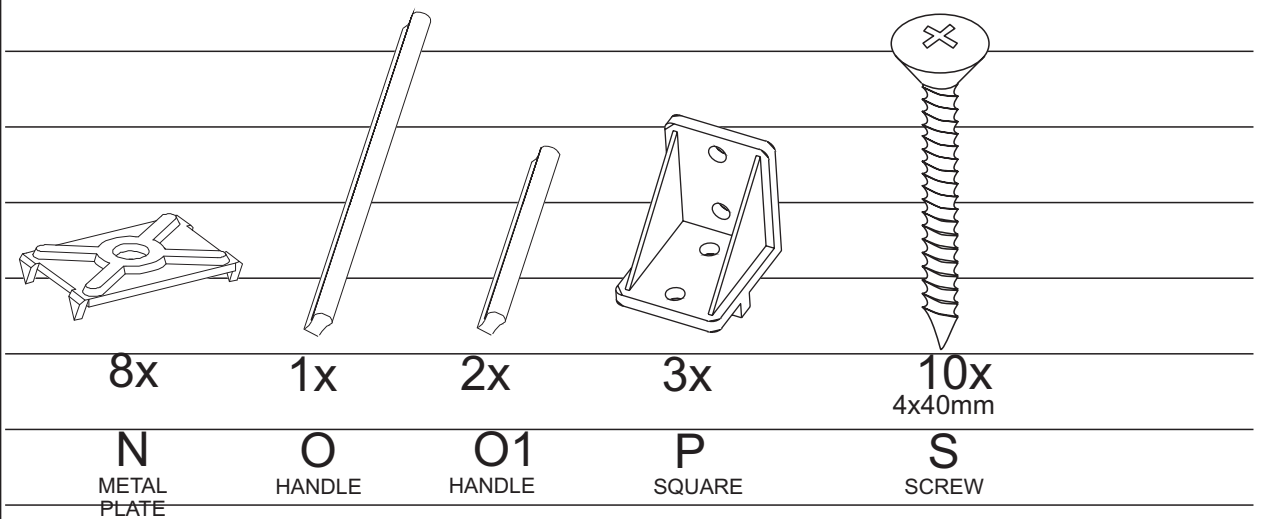
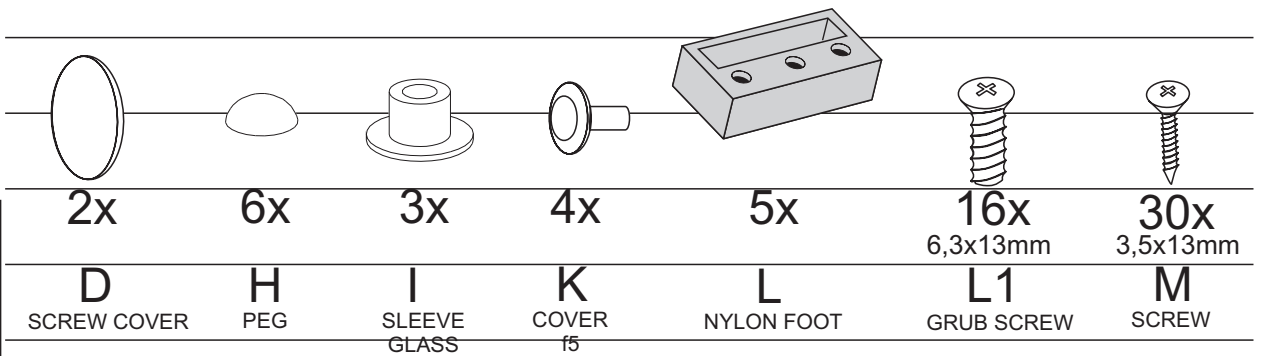
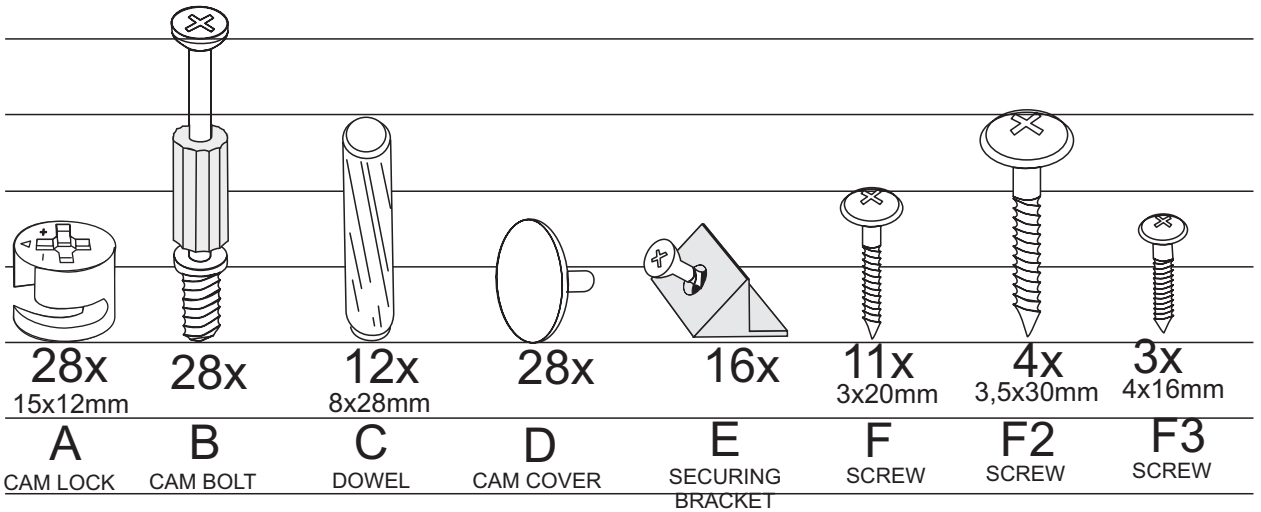
PART LIST



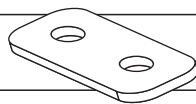
| NO. PARTS LIST | QTY | NO. PARTS LIST | QTY |
|-----------------------------|-----|-------------------------|-----|
| (1) LEFT SIDE PANEL | 1 | (22) PLINTH | 1 |
| (2) RIGHT SIDE PANEL | 1 | (24) LEFT DOOR | 2 |
| (3) CENTER DIVIDER | 1 | (25) RIGHT DOOR W/GLASS | 1 |
| (4) TOP PANEL | 1 | | |
| (5) LEFT SHELF | 2 | | |
| (6) LEFT HORIZONTAL DIVIDER | 1 | | |
| (7) SHELF GLASS | 2 | | |
| (8) BOTTOM PANEL | 1 | | |
| (9) LEFT BACK PANEL | 1 | | |
| (10) RIGHT BACK PANEL | 1 | | |
| (13) RIGHT SHELF | 2 | | |
| (21) LEFT PLINTH | 1 | | |



HARDWARE LIST

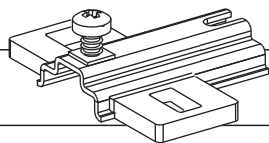


HARDWARE LIST



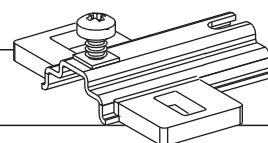
1x

Q
METAL
PLATE



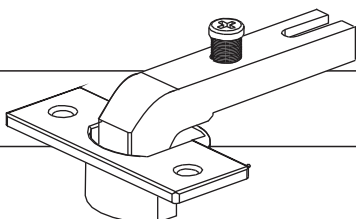
4x
H-2
V

HINGE PLATE



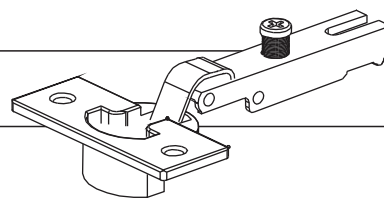
4x
H-2
V

HINGE PLATE



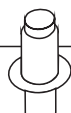
4x
90°
W

HINGE

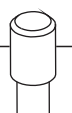


4x
kr0
W1

HINGE



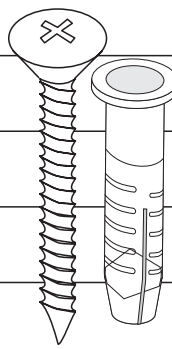
8x
5x16mm
Z
SHELF
SUPPORT



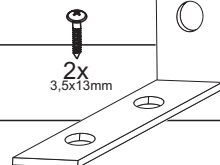
8x
5x16mm
Z1
SHELF GLASS
SUPPORT



2x
X
LEVEL QUOIN



1x
4x35mm
R
PLASTIC
DOWEL



2x
3,5x13mm
T
ANGLE

Top Tips before you start!

1. Please check that all parts are present before you start the assembly of your furniture, as once assembled, the furniture is exempt from our home approval policy.
2. For ease and speed of assembly, we recommend that before you commence each step of the assembly, that you identify all the parts required for that step.
3. For larger items, please ensure that you have sufficient space and people (as indicated on page 1) to assemble your product safely.
4. We recommend that, where possible, all items are assembled near to the area in which they will be placed in use, to avoid moving the product unnecessarily once assembled.
5. For the protection of your furniture, particularly items of high gloss finish, we recommend that the product is placed on a protected surface during assembly to prevent any damage.
6. During assembly please take care not to over-tighten any fittings, as this may damage the product .

Care and Maintenance of your Furniture

Please periodically check all fittings and re-tighten as necessary.

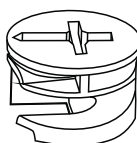
Please do not sit or stand on this item.

Never allow any kind of liquid to remain on your furniture. Absorption can cause wood to warp or finishes to de-laminate.



Please do not drag and pull your furniture.




SPECIAL TIPS FOR FITTING CAM-LOCKS AND CAM-PILLARS

CAM-LOCK



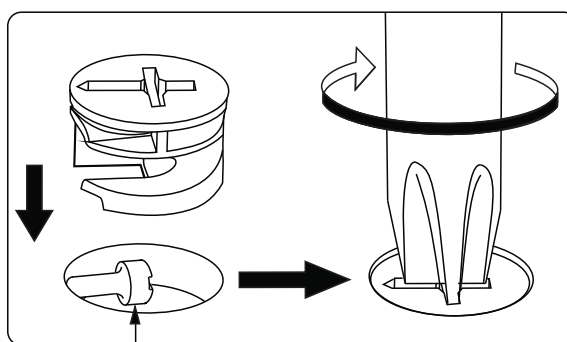
WHEN FITTING CAMS
ENSURE STARTING POSITION IS CORRECT
BEFORE YOU INSERT CONNECTING CAM-PILLAR
TURN CLOCKWISE UNTIL SECURE

✓   ✗

CORRECT WRONG

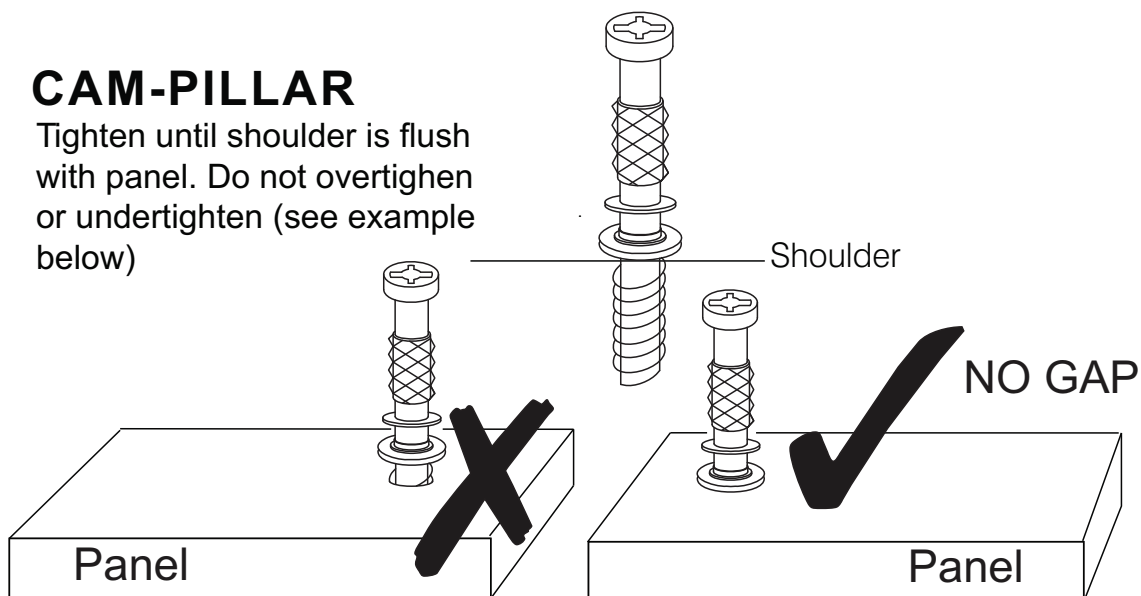
Align with long point of cross




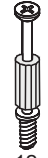
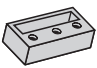

Pillar head needs to be in centre

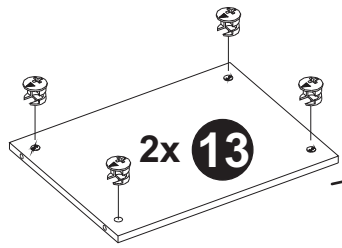
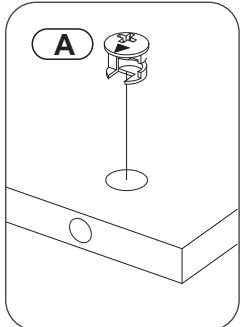
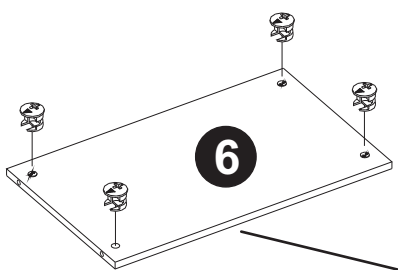
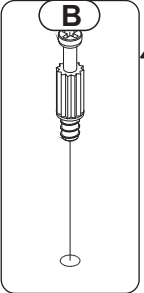
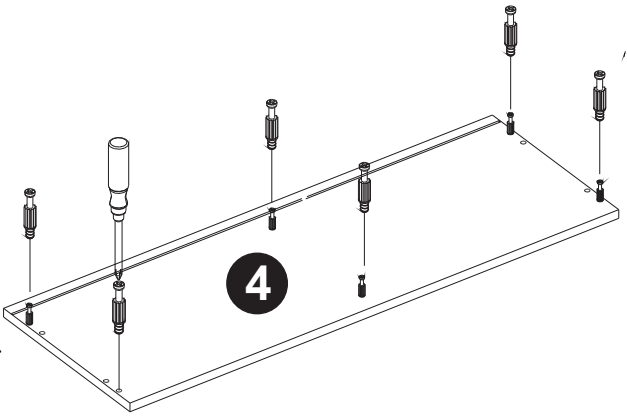
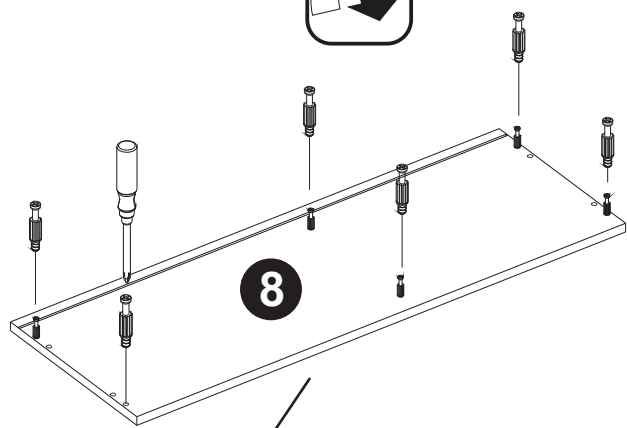
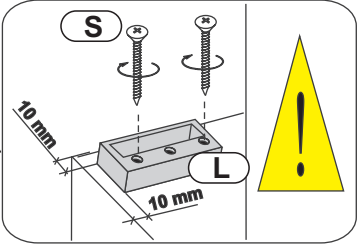
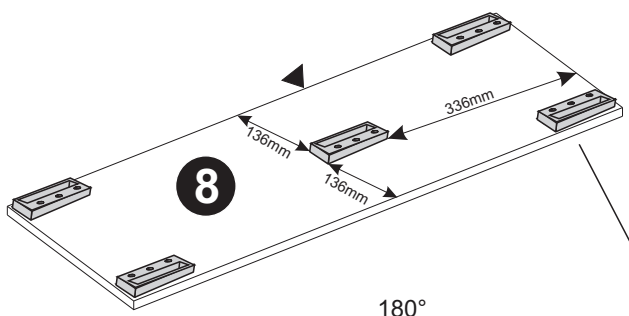
CAM-PILLAR

Tighten until shoulder is flush with panel. Do not overtighten or undertighten (see example below)



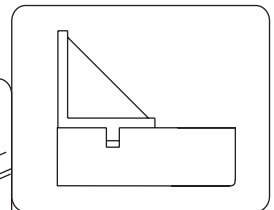
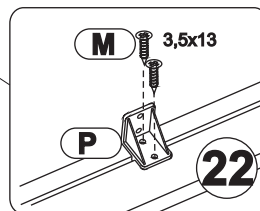
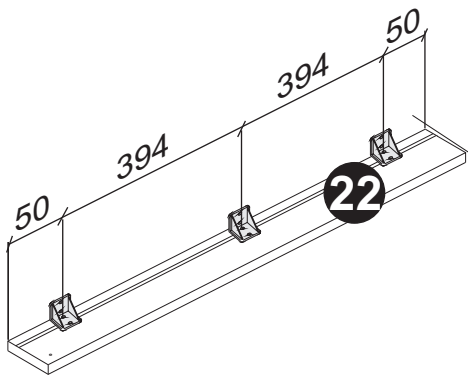
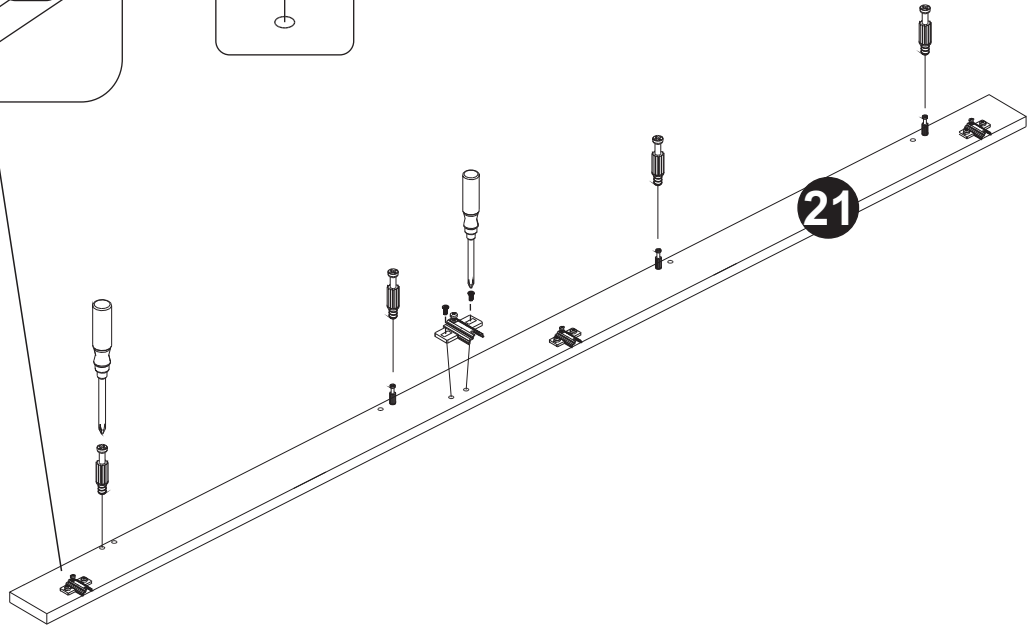
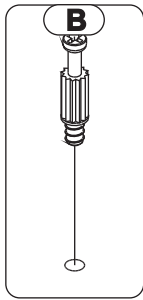
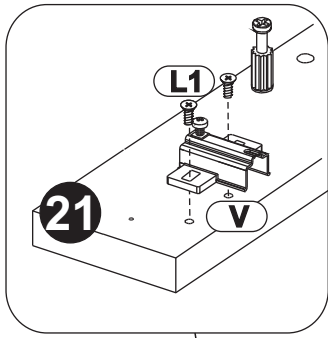
STEP 1

- 
12x
 15x12mm
A
 CAM LOCK
- 
12x
B
 CAM BOLT
- 
5x
L
 NYLON FOOT
- 
10x
 4x40mm
S
 SCREW

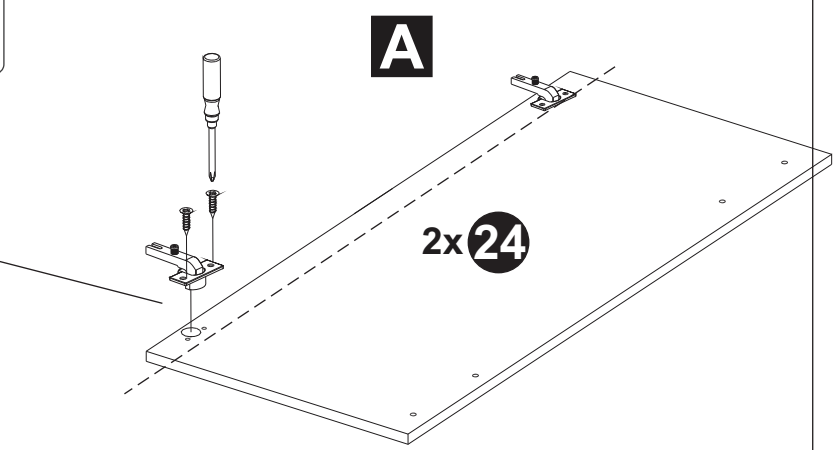
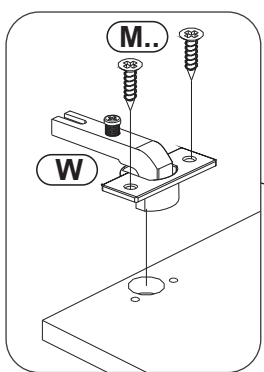
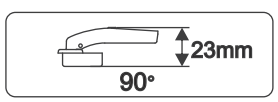
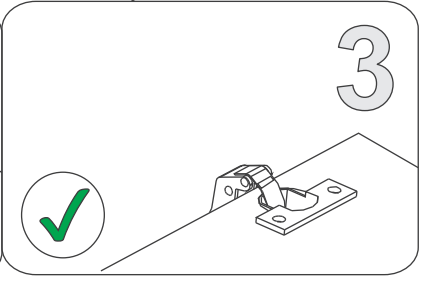
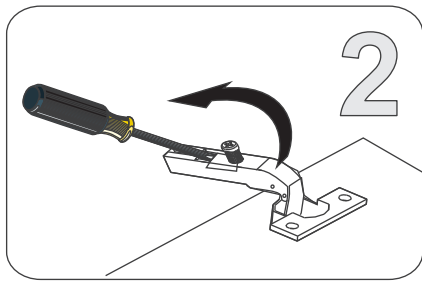
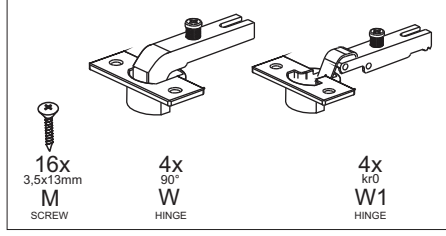


STEP 2

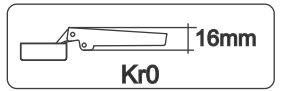
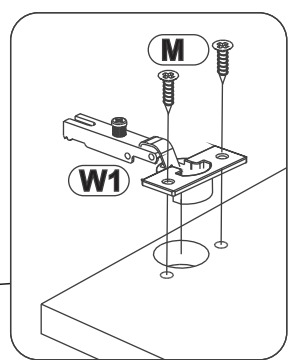
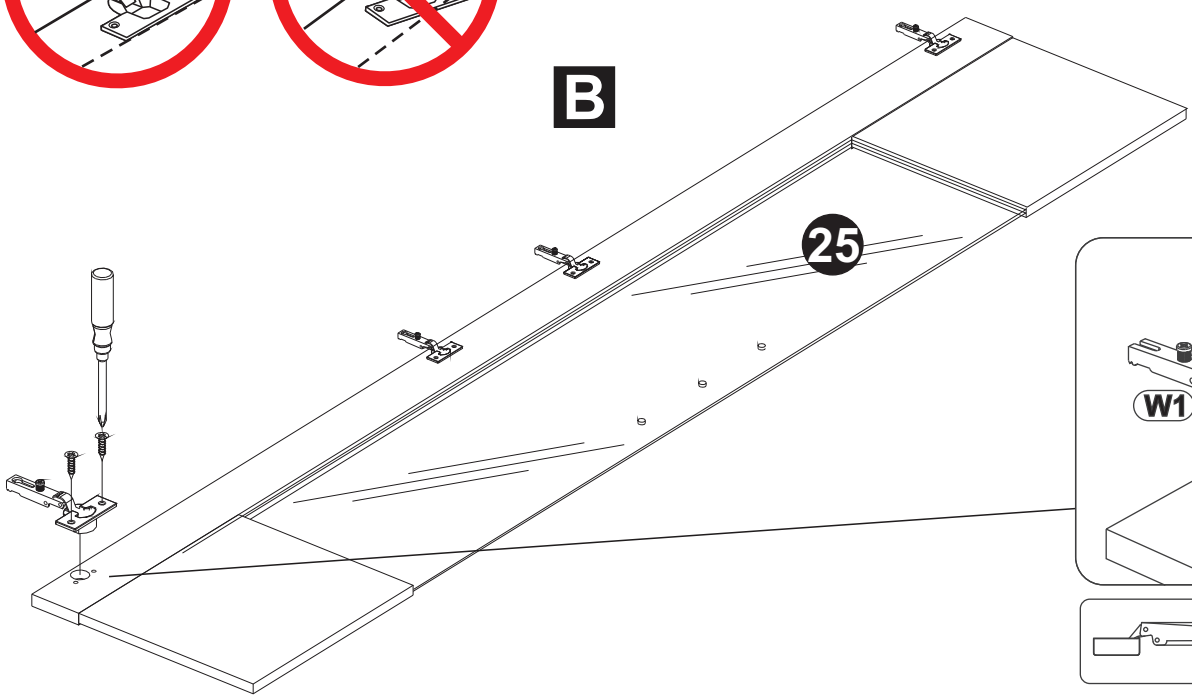
- 4x B CAM BOLT
- 6x 3,5x13mm M SCREW
- 8x 6,3x13mm L1 GRUB SCREW
- 3x P SQUARE
- 4x H-2 V HINGE PLATE







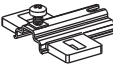
STEP 3

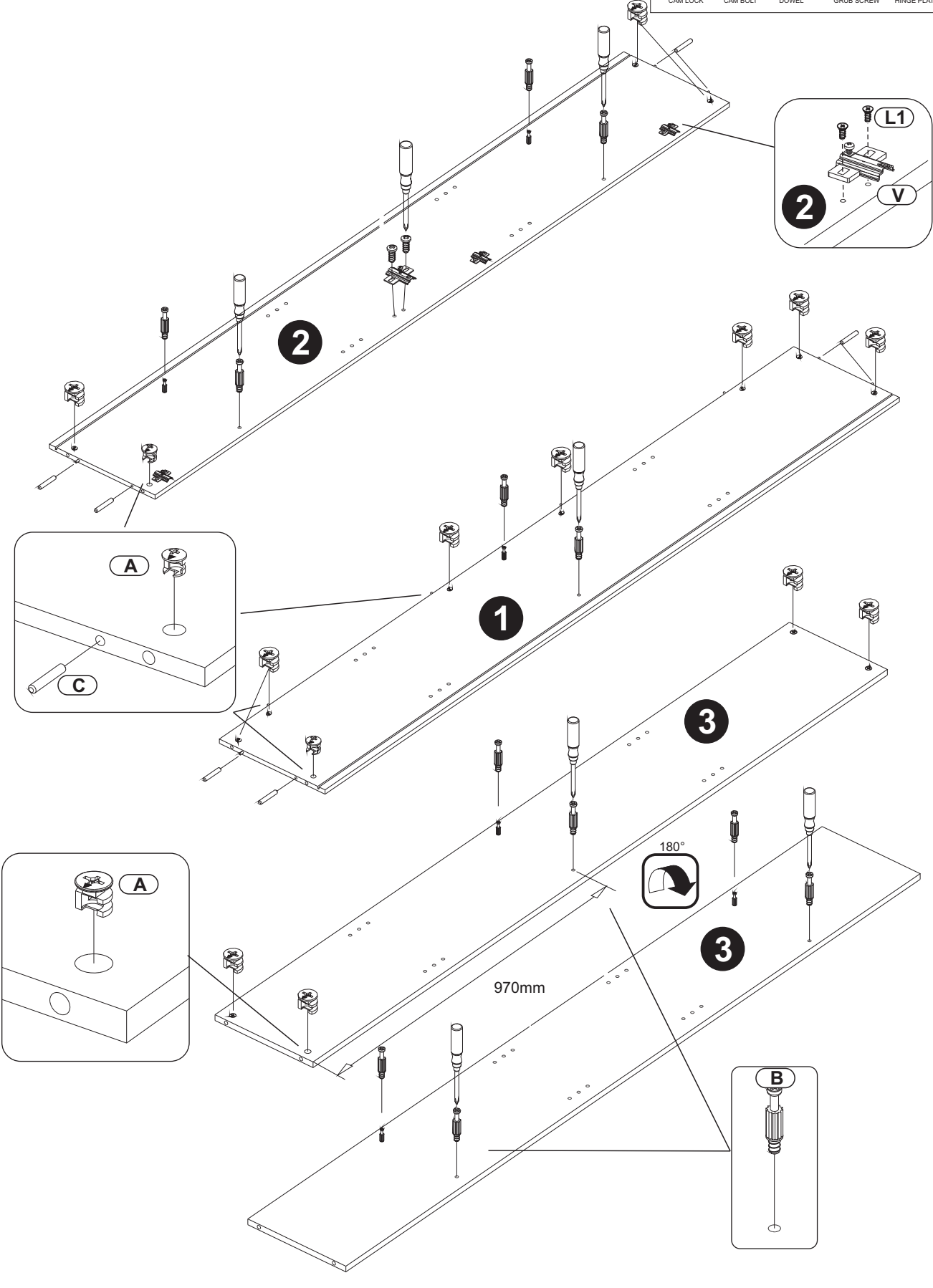


B



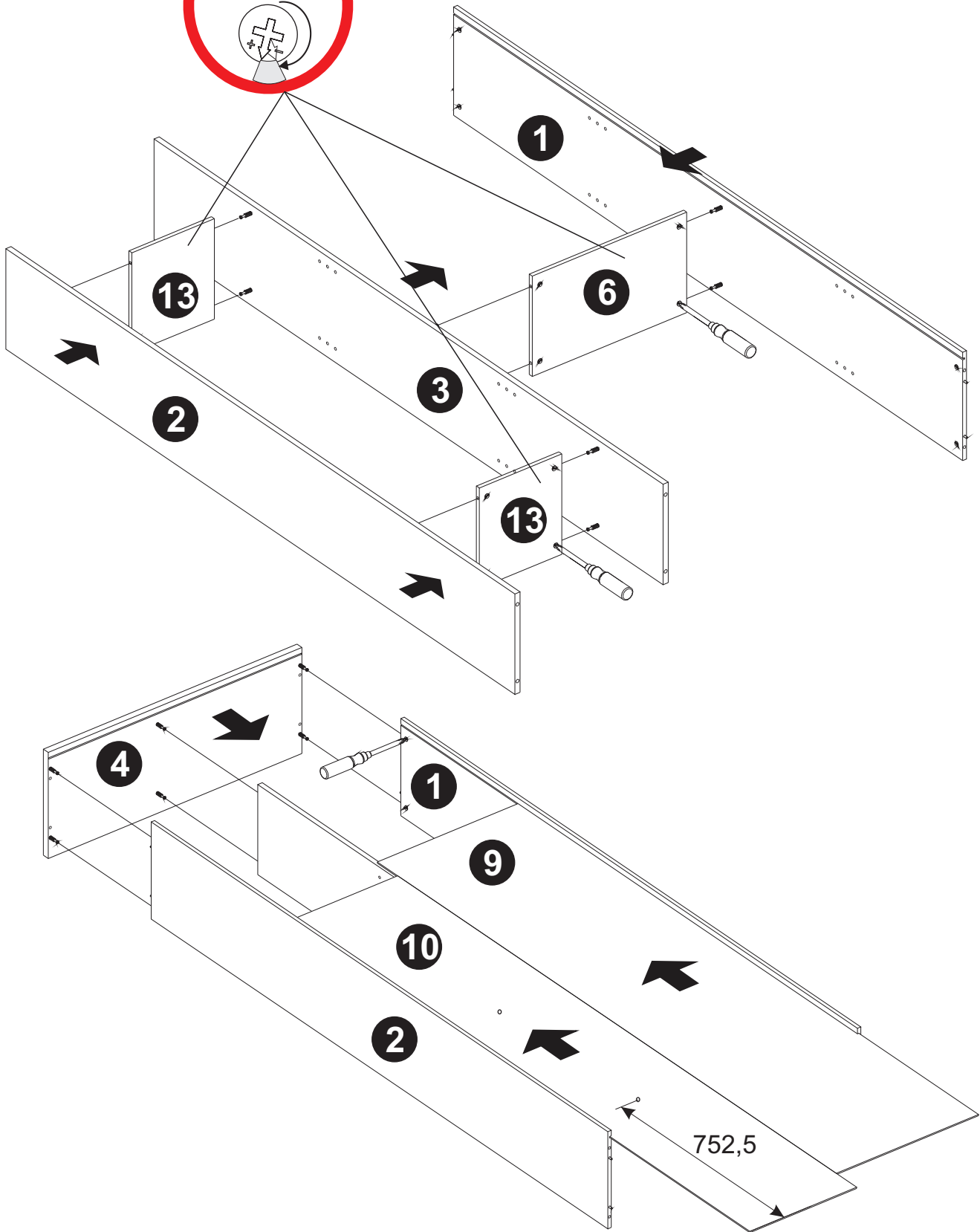
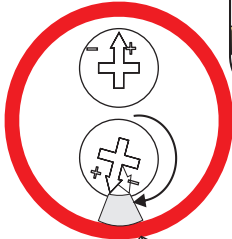
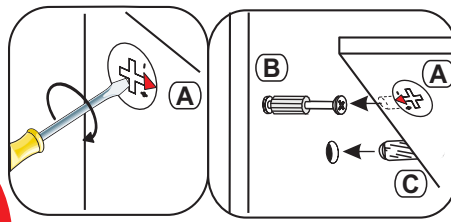
STEP 4

- 
16x
 15x12mm
A
 CAM LOCK
- 
12x
 CAM BOLT
B
- 
12x
 8x28mm
C
 DOWEL
- 
8x
 6,3x13mm
L1
 GRUB SCREW
- 
4x
 H-2
V
 HINGE PLATE

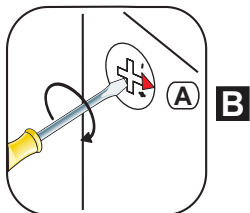
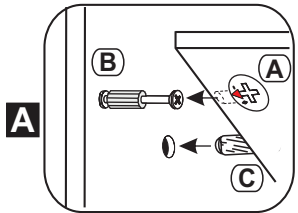
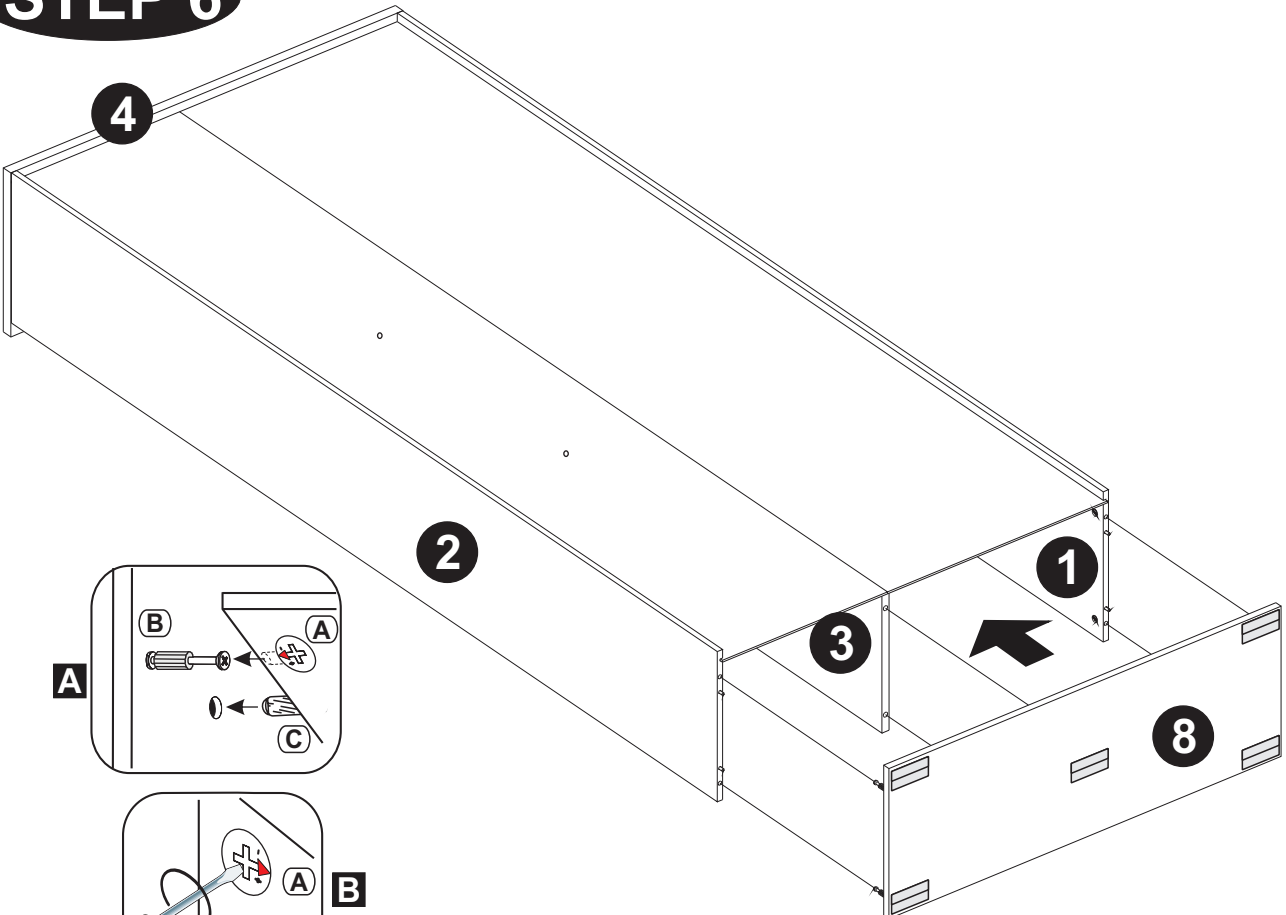


STEP 5

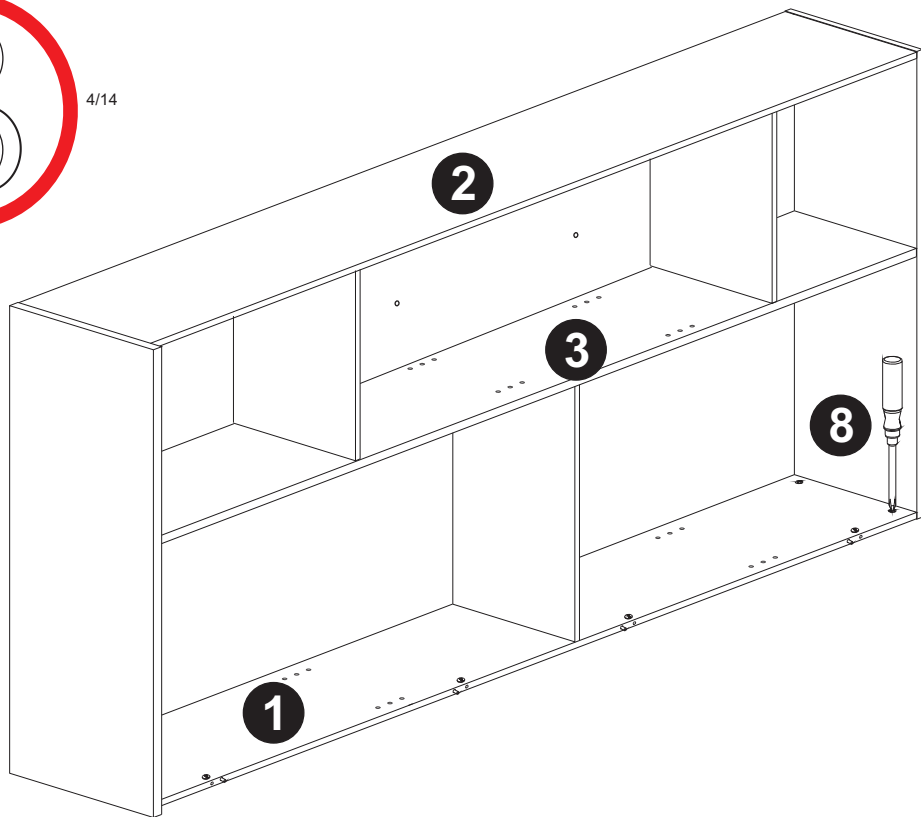
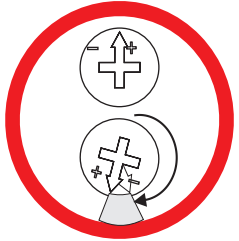
1/2 TURN
CLOCKWISE.




STEP 6

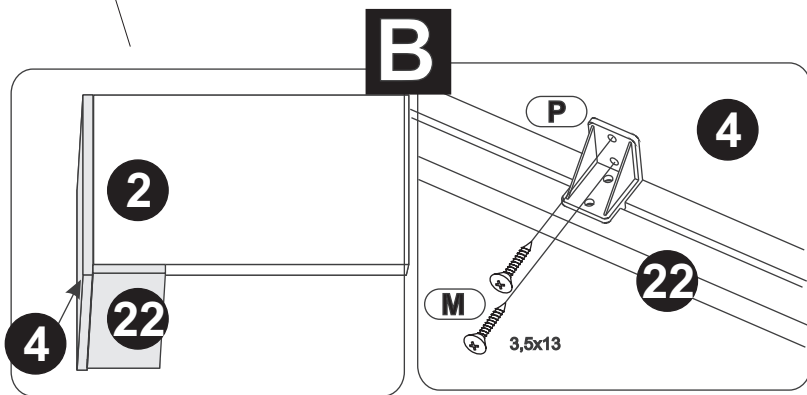
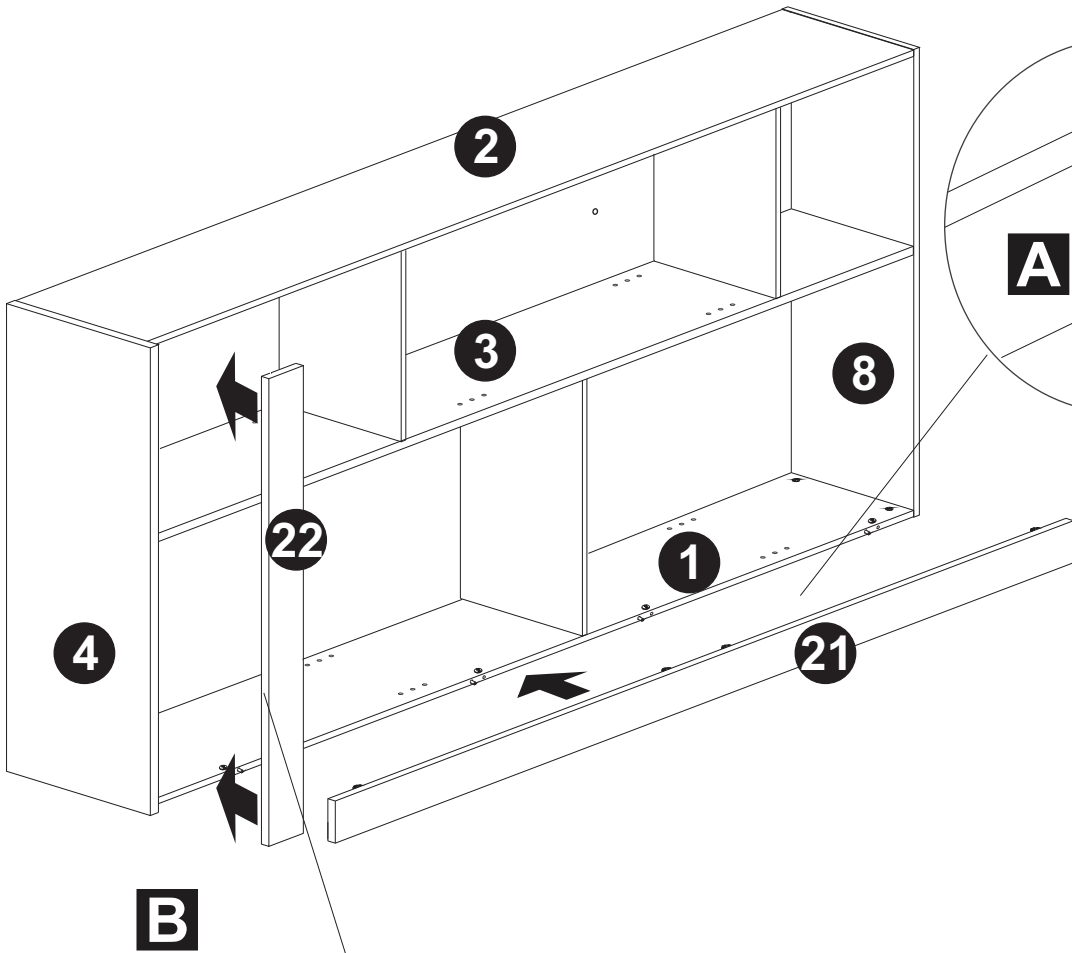


1/2 TURN
CLOCKWISE.

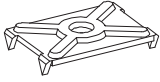


STEP 7


6x
3,5x13mm
M
SCREW

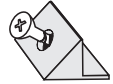


STEP 8



8x

N
METAL
PLATE



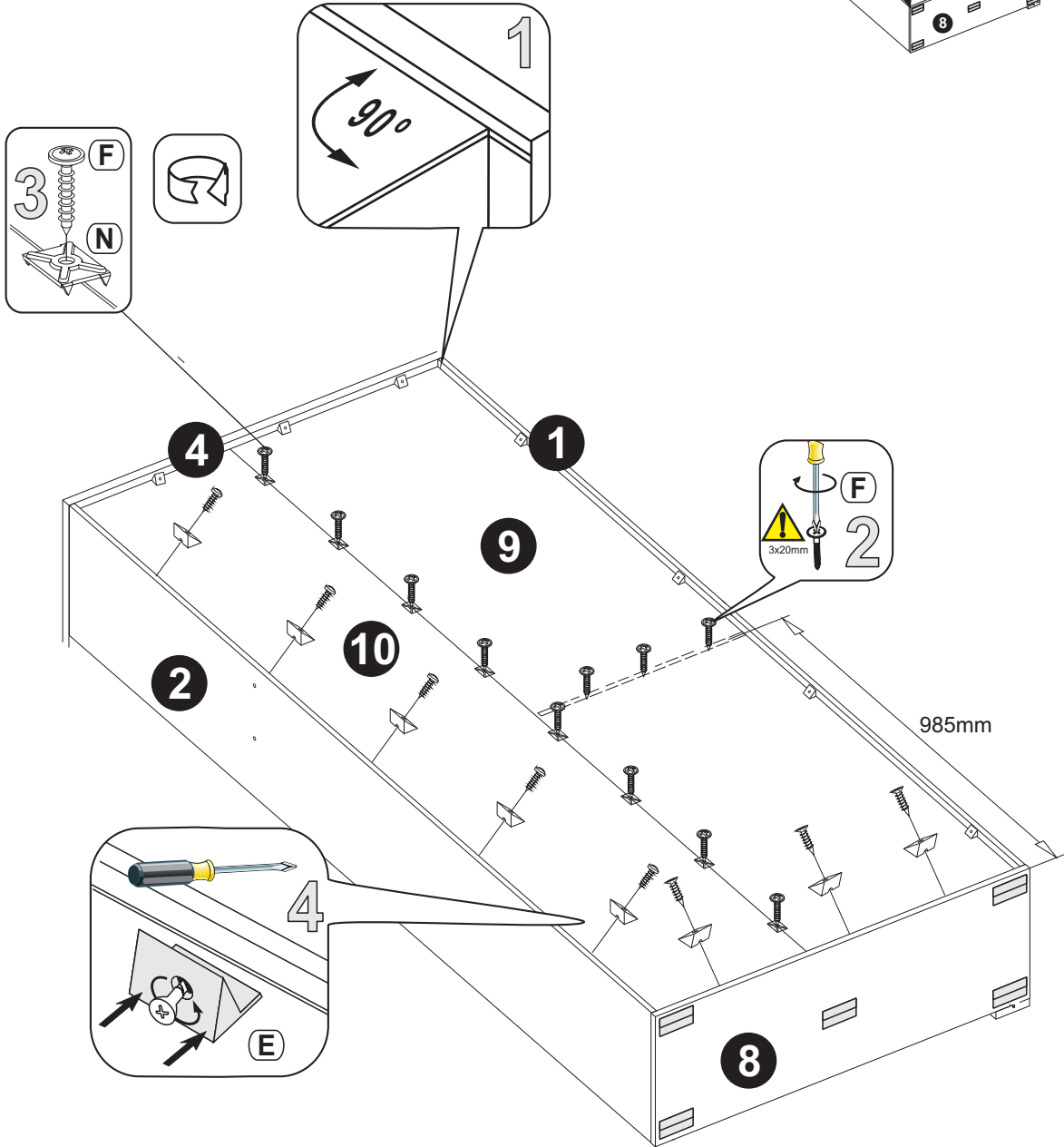
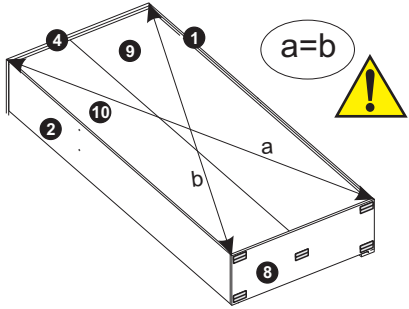
16x

E
SECURING
BRACKET



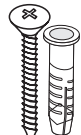
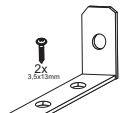



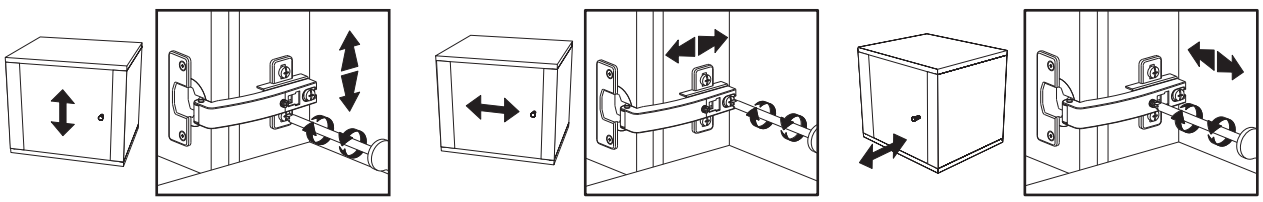
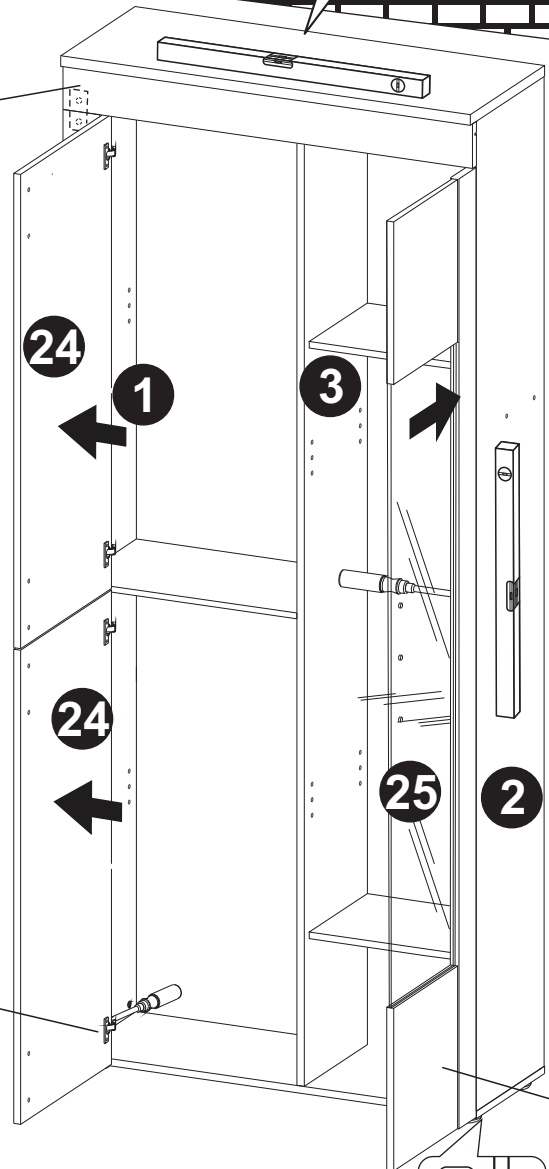
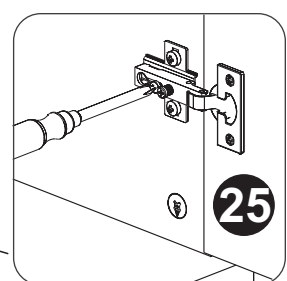
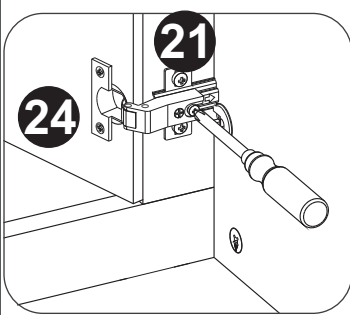
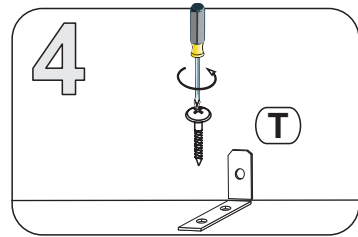
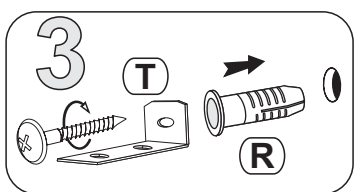
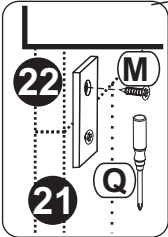
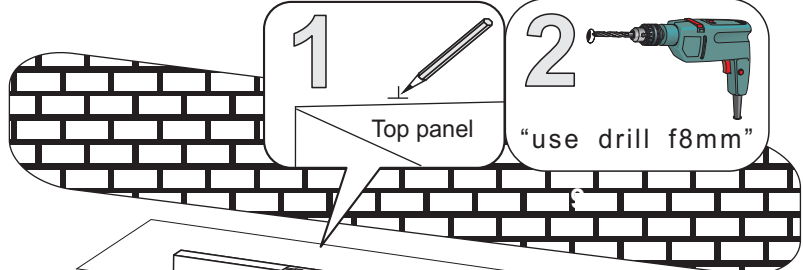
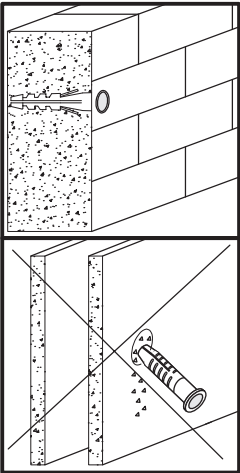
11x
3x20mm

F
SCREW













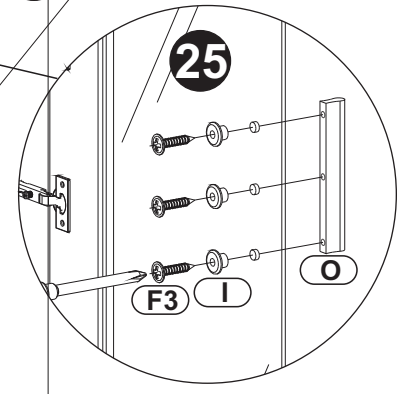
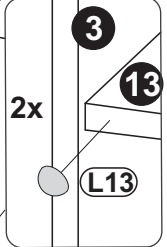
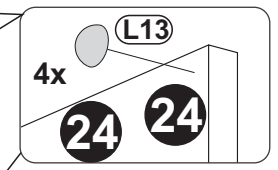
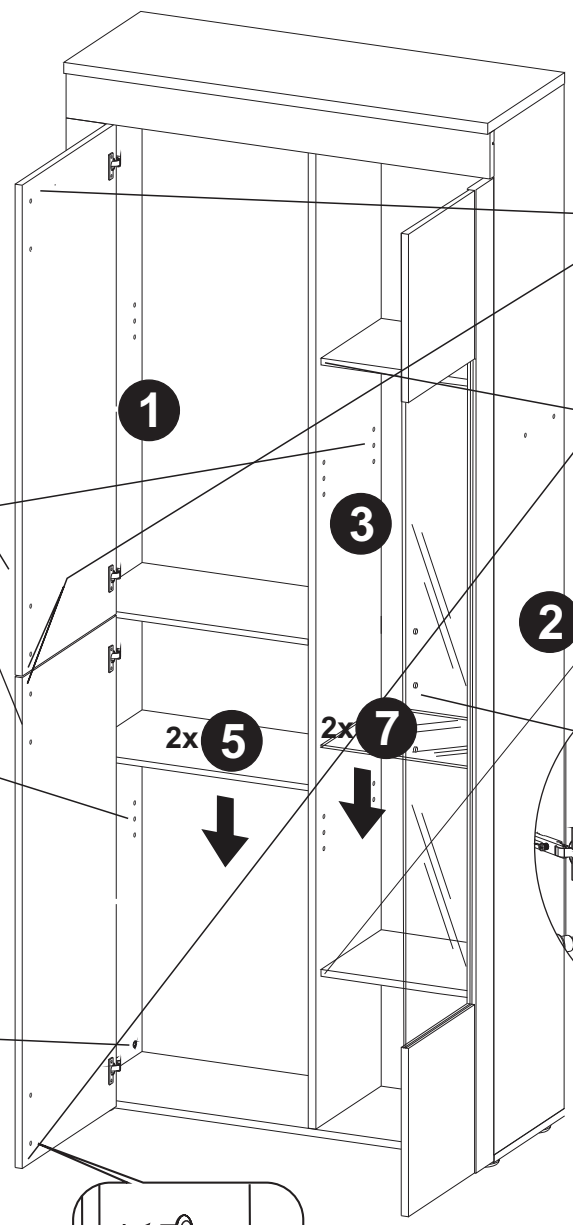
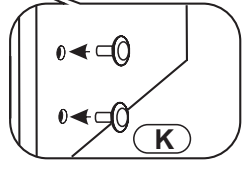
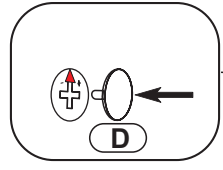
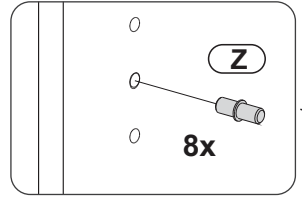
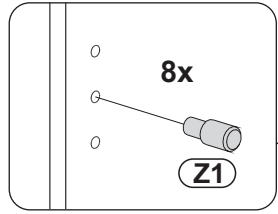
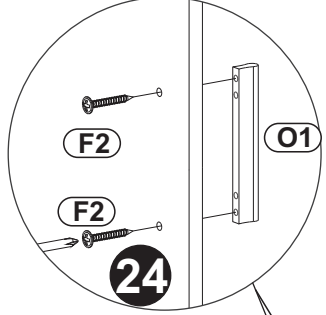
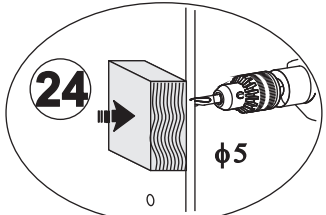
STEP 9

- 
2x
 3,5x13mm
M
 SCREW
- 
1x
Q
 METAL
 PLATE
- 
1x
 4x35mm
R
 PLASTIC
 DOWEL
- 
2x
T
 ANGLE
- 
2x
X
 LEVEL
 QUOIN



STEP 10

| | | | | | | | | | |
|---|---|---|---|---|---|---|---|---|---|
|  |  |  |  |  |  |  |  |  |  |
| 28x | 8x 5x16mm | 8x 5x16mm | 1x 1:2 | 2x 1:2 | 4x K COVER | 4x 3,5x30mm F2 SCREW | 3x 4x16mm F3 SCREW | 6x H PEG | 3x I SLEEVE GLASS |
| D CAM COVER | Z SHELF SUPPORT | Z1 SHELF GLASS SUPPORT | O HANDLE | O1 HANDLE | K COVER | F2 SCREW | F3 SCREW | H PEG | I SLEEVE GLASS |



 LED Lights in type 317

STEP 11

