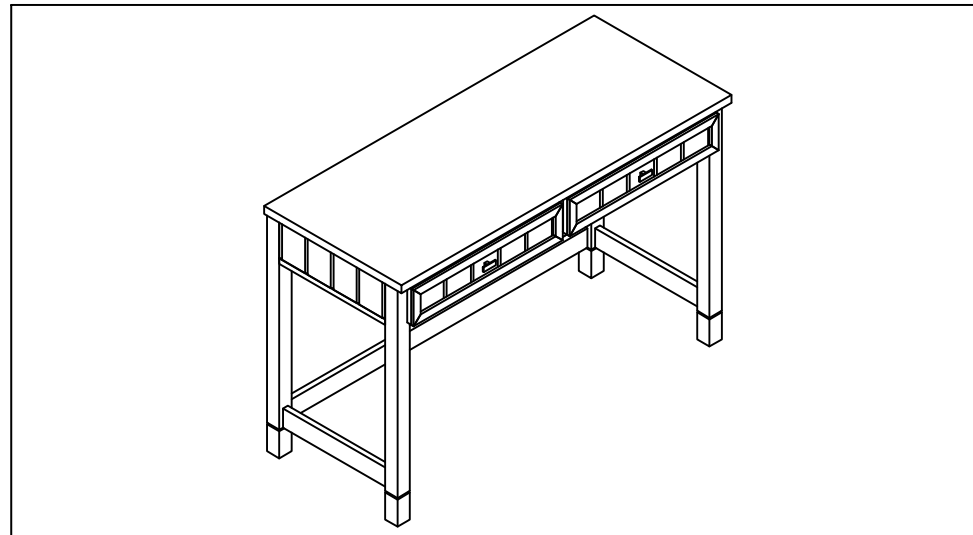


ASSEMBLY INSTRUCTION


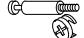


HN-2018-190-DESK

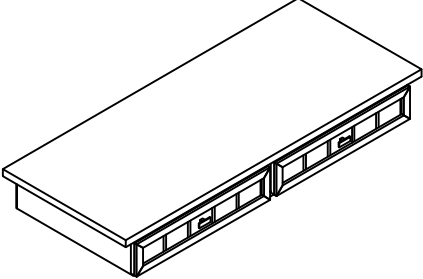
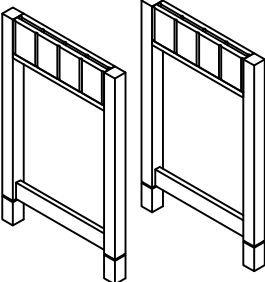
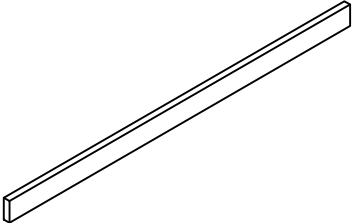
Thank you for purchasing this quality product. Be sure to check all packing material carefully for small parts that may have come loose inside the carton during shipment.

COMPONENT LISTS



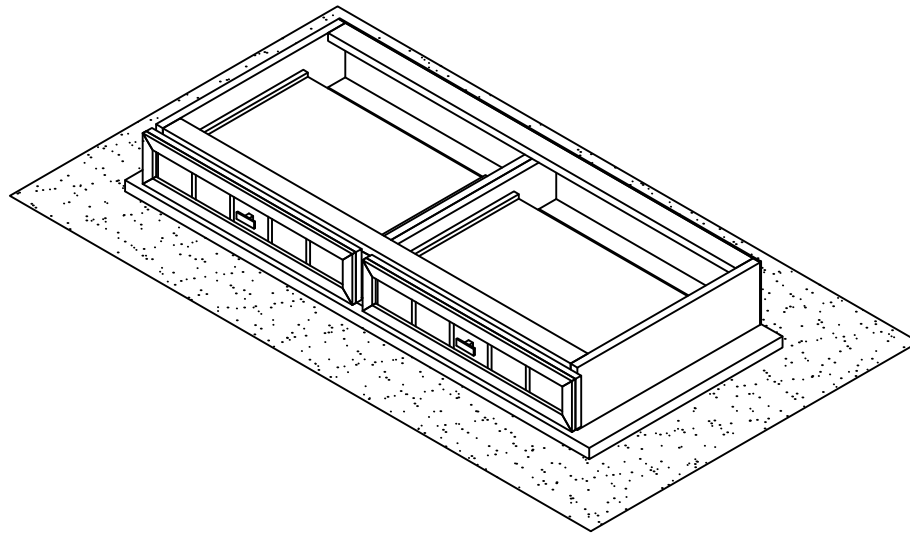
HARDWARE LISTS

NO	DESCRIPTION	QTY	NO	DESCRIPTION	QTY
A	 JCBC Ø6 X 30mm	8	C	 Minifix 34mm	2
B	 Allen Key M4	1	D	 Dowel Ø8 X 30mm	2

NO	DESCRIPTION		QTY
1		Body	1
2		Leg Frame	2
3		Strip	1

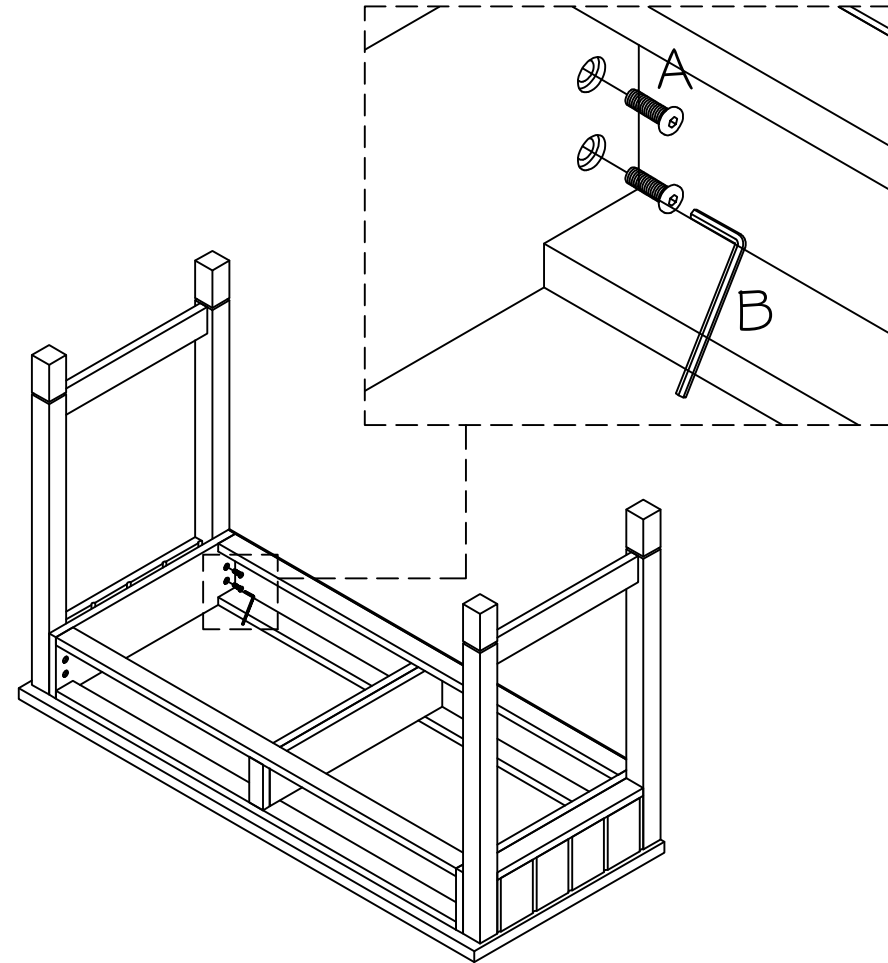
STEP 1

Place the body of the desk upside down on smooth surface (For eg. Cloth, Carpet, Rug etc.). Take out the drawers before start assembly.



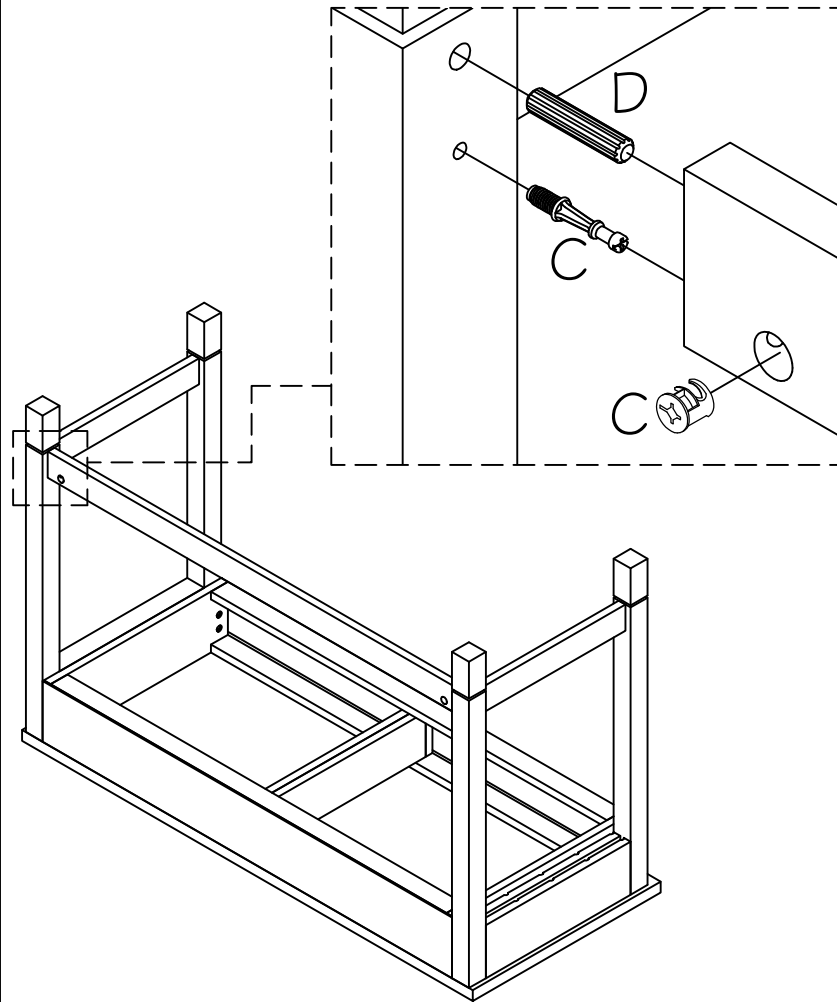
STEP 2

Place the Leg Frame into position. Use allen key to tighten the JCBC Screw into body until the JCBC Screw are totally in.



STEP 3

Use Dowel and Minifix (34mm) to Connect Leg Frame and Strips. Further tighten the Minifix by using Screw Driver.



STEP 4

Insert the drawers into the Body accordingly.

