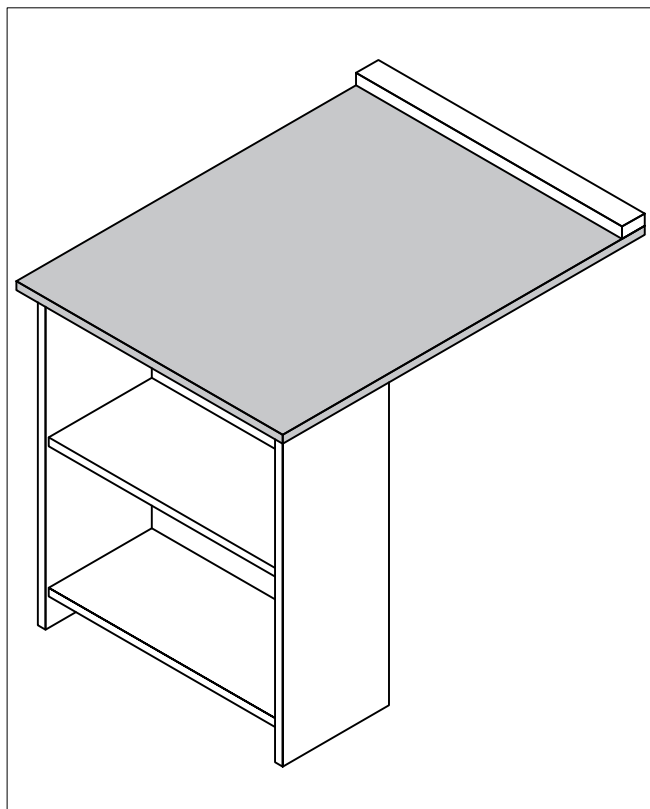



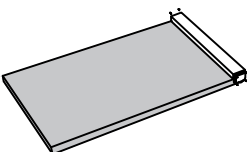
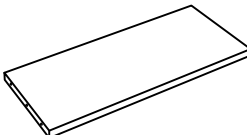

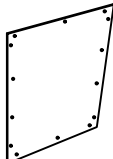
ASSEMBLY INSTRUCTION

HN-2018-190 MINI SLEEPER(DESK)




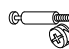



Thank you for purchasing this quality product. Be sure to check all packing material carefully for small parts that may have come loose inside the carton during shipment.



COMPONENT LISTS

NO	DESCRIPTION	QTY
1	 TOP FRAME	1
2	 TOP PANEL	1
3	 SHELF	2
4	 SIDE PANEL	2
5	 BACK PANEL	1

HARDWARE LISTS

NO	DESCRIPTION	QTY
A	 JCBC Ø6 X 45mm	4
B	 Allen Key	1
C	 CSK Screw 3.5X16mm	22
D	 Minifix	4
E	 Dowel Ø8 X 30mm	10
F	 Castor	2
G	 CSK SCREW 4X30mm	8

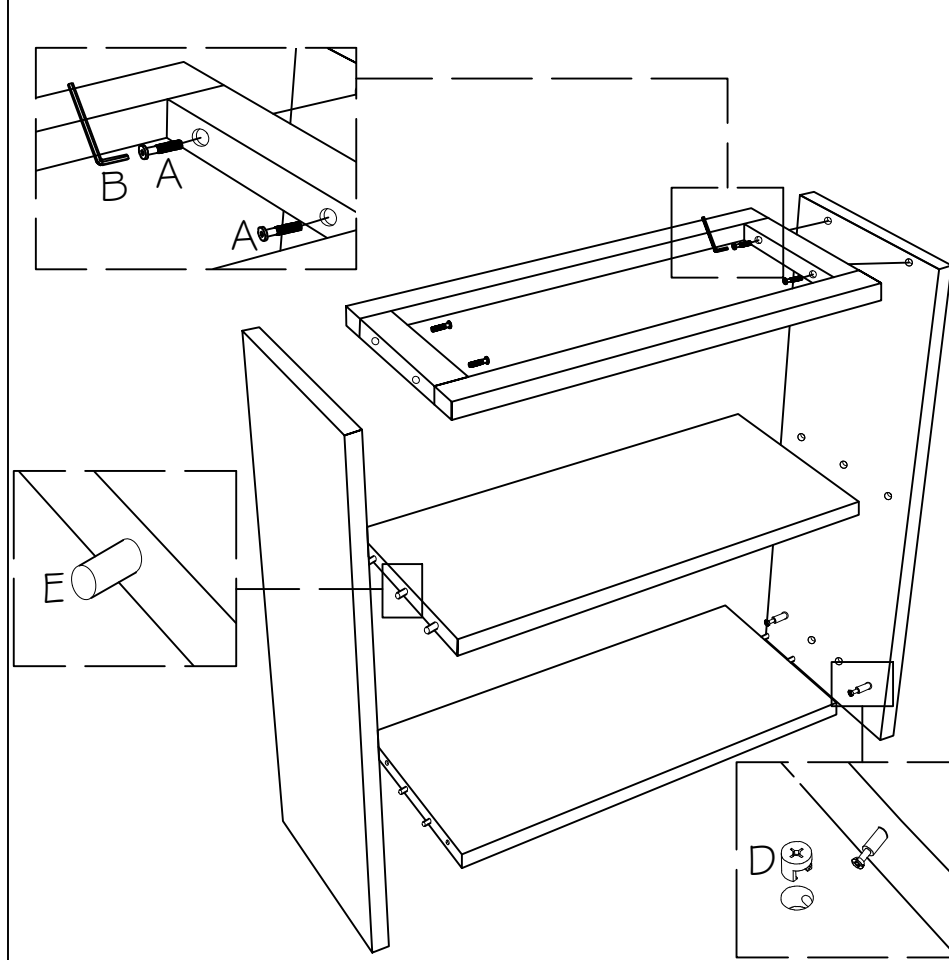
ASSEMBLY INSTRUCTION

HN-2018-190 MINI SLEEPER(DESK)

Thank you for purchasing this quality product. Be sure to check all packing material carefully for small parts that may have come loose inside the carton during shipment.

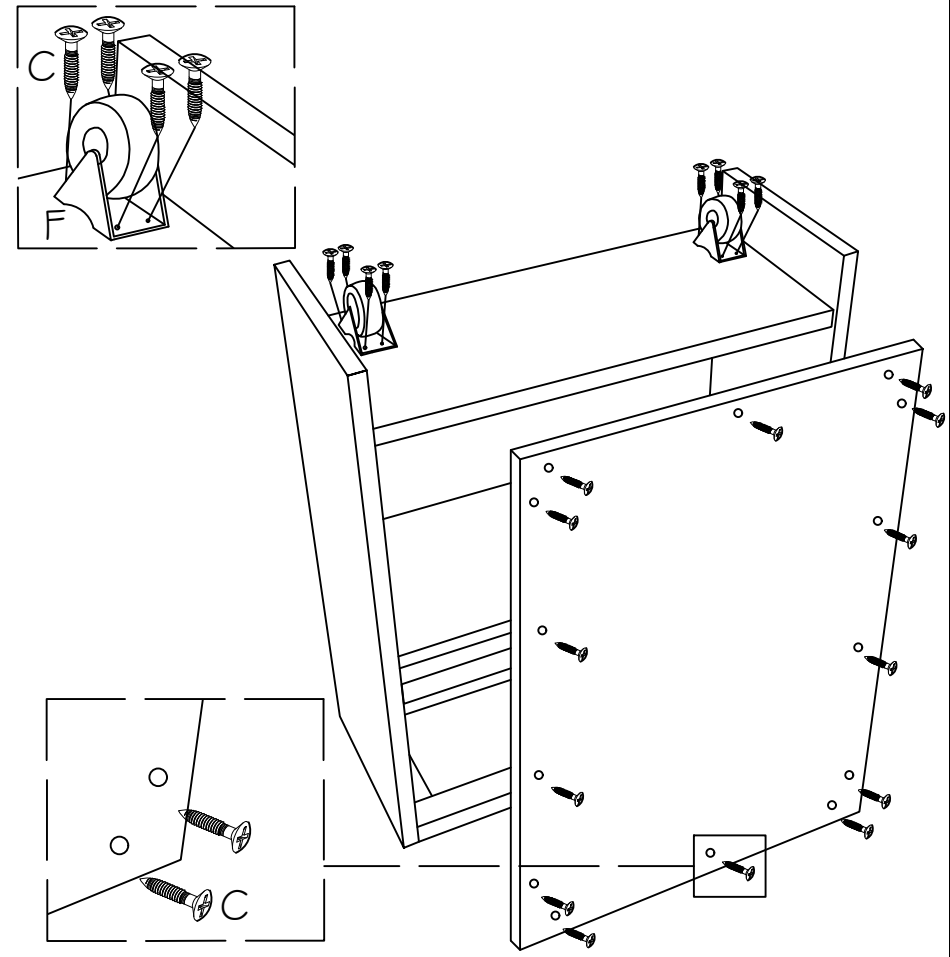
STEP 1

Set up Side Panel to the Top Frame and Shelf as per below.



STEP 2

Attach Castor to Bottom Shelf with CSK screw. Cover back of the desk with Back Panel by using CSK screw.



EXAMPLE FOR SKETCH ONLY

MADE IN MALAYSIA

ASSEMBLY INSTRUCTION

HN-2018-190 MINI SLEEPER(DESK)

Thank you for purchasing this quality product. Be sure to check all packing material carefully for small parts that may have come loose inside the carton during shipment.

STEP 3

Put in Top Panel of the desk to the Roller Track. Pull out the Top Panel and use CSK screw to attach the desk with the top.

