

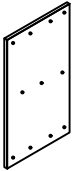
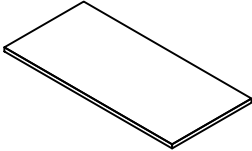

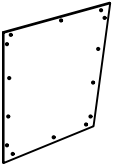
# ASSEMBLY INSTRUCTION

## HN-2018-190 MINI SLEEPER (OPEN SHELF)

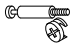


Thank you for purchasing this quality product. Be sure to check all packing material carefully for small parts that may have come loose inside the carton during shipment.



### COMPONENT LISTS

NO	DESCRIPTION	QTY
1	 SIDE PANEL	2
2	 TOP PANEL # SHELF	2
3	 BOTTOM SHELF	1
4	 BACK PANEL	1

### HARDWARE LISTS

NO	DESCRIPTION	QTY
A	 Minifix	8
B	 CSK screw 3.5x16mm	18
C	 Dowel Ø8 X 30mm	14

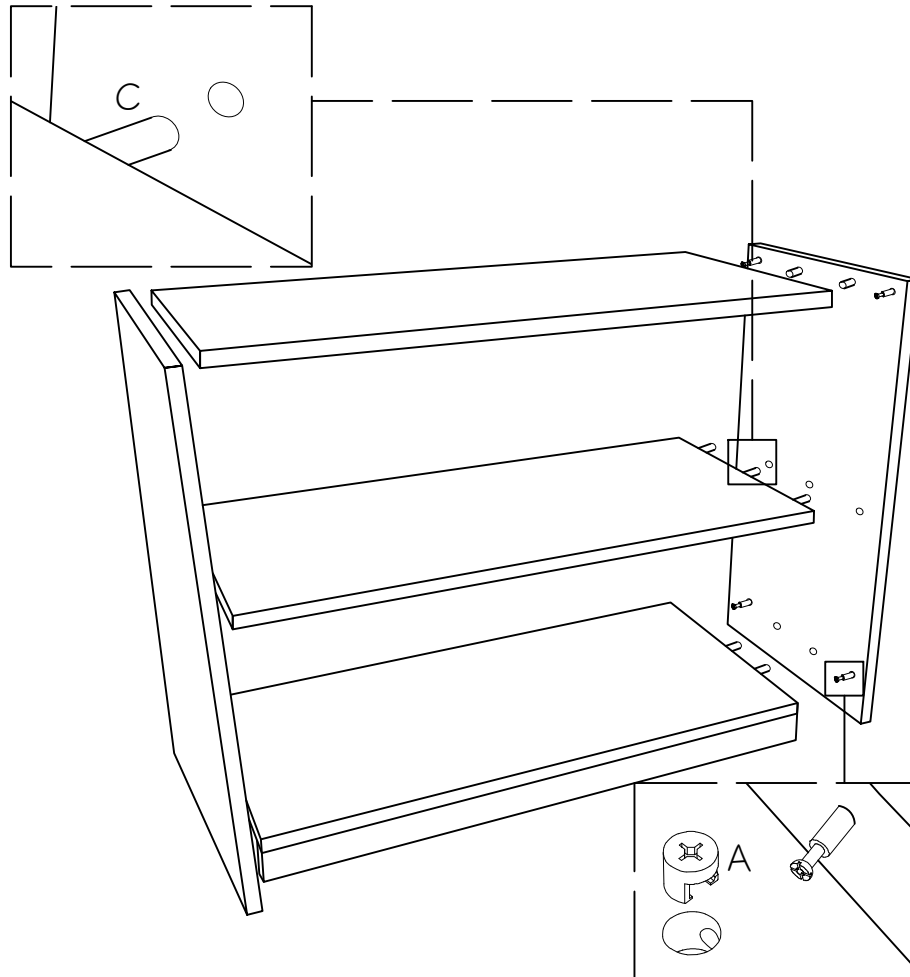
# ASSEMBLY INSTRUCTION

# HN-2018-190 MINI SLEEPER(OPEN SHELF)

Thank you for purchasing this quality product. Be sure to check all packing material carefully for small parts that may have come loose inside the carton during shipment.

## STEP 1

Set up Side Panel to the Top Panel and Shelf as per below.



## STEP 2

Cover back of the the open shelf with Back Panel by using CSK Screw.

