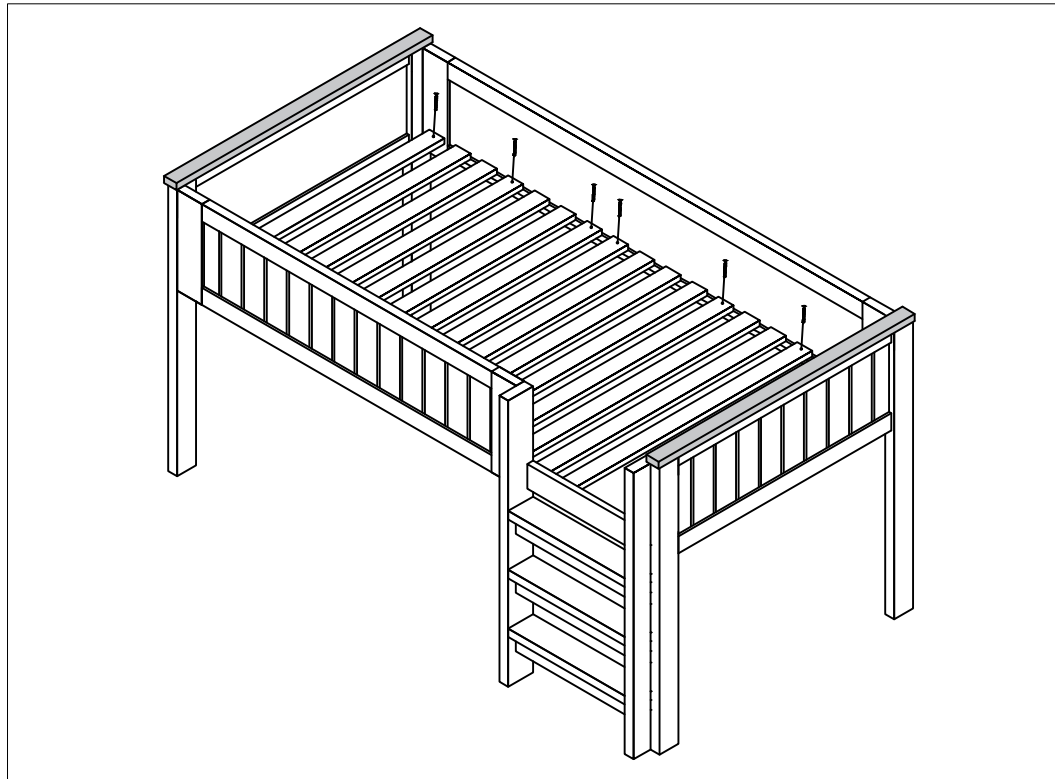


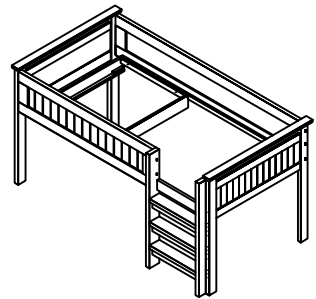
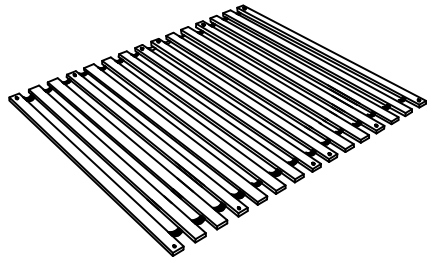
# ASSEMBLY INSTRUCTION

# HN-2018-190 MINI SLEEPER (TIMBER SLAT)


Thank you for purchasing this quality product. Be sure to check all packing material carefully for small parts that may have come loose inside the carton during shipment.



## COMPONENT LISTS

NO	DESCRIPTION	QTY
1	 MINI SLEEPER	1
2	 TIMBER SLAT	14

## HARDWARE LISTS

NO	DESCRIPTION	QTY
A	 Csk Screw 4X38mm	12

# ASSEMBLY INSTRUCTION

# HN-2018-190 MINI SLEEPER (TIMBER SLAT)

Thank you for purchasing this quality product. Be sure to check all packing material carefully for small parts that may have come loose inside the carton during shipment.

