

ASSEMBLY INSTRUCTION

DESCRIPTION: Type 037 BOOM / BOOM GRANDE

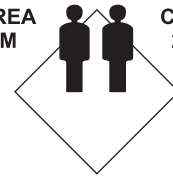
2.5 hrs

APPROXIMATE ASSEMBLY TIME
EXCLUDING GLUE SETTING TIME

2 PERSON ASSEMBLY

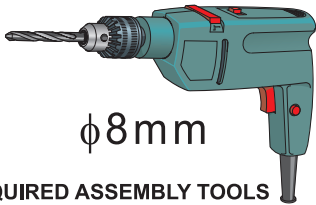


FLOOR AREA
2,5M X 2,5M



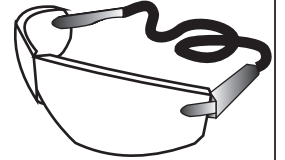
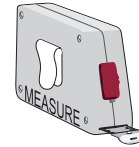
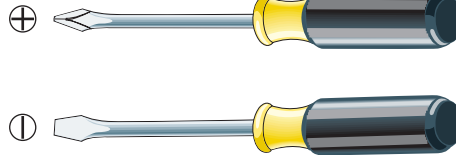
CEILING HEIGHT
2,0M

REQUIRED ASSEMBLY SPACE

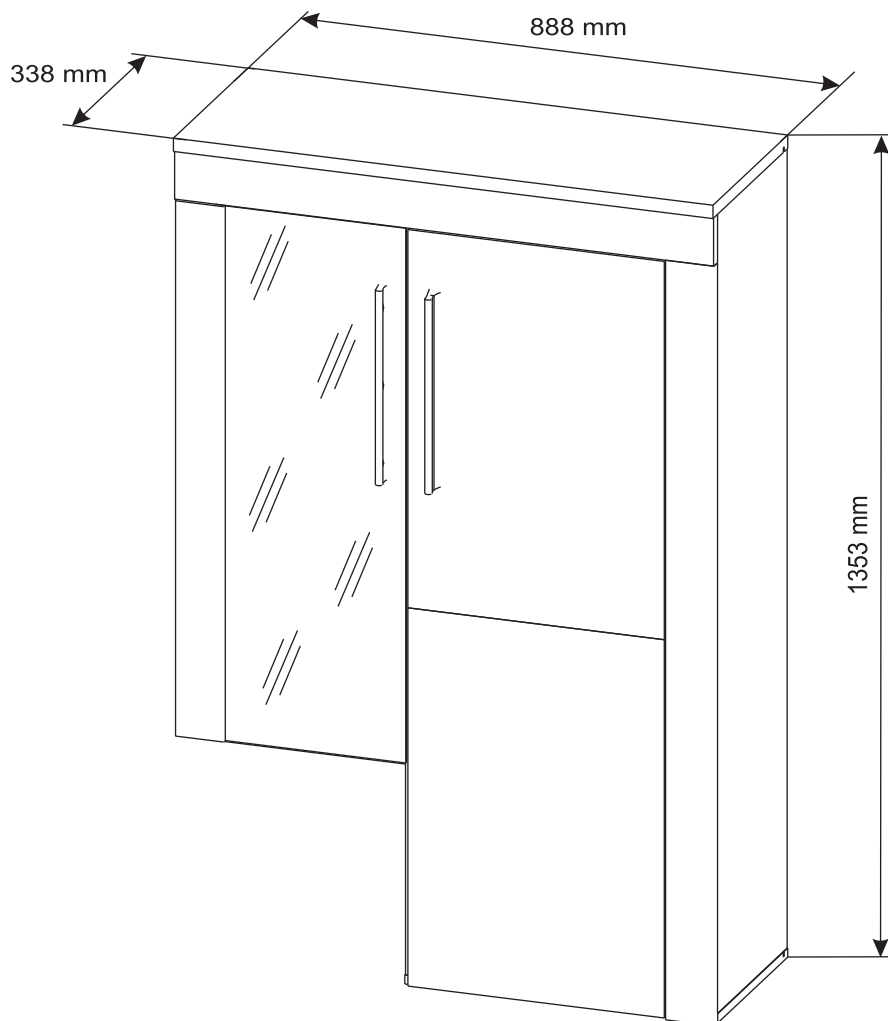


$\phi 8\text{mm}$

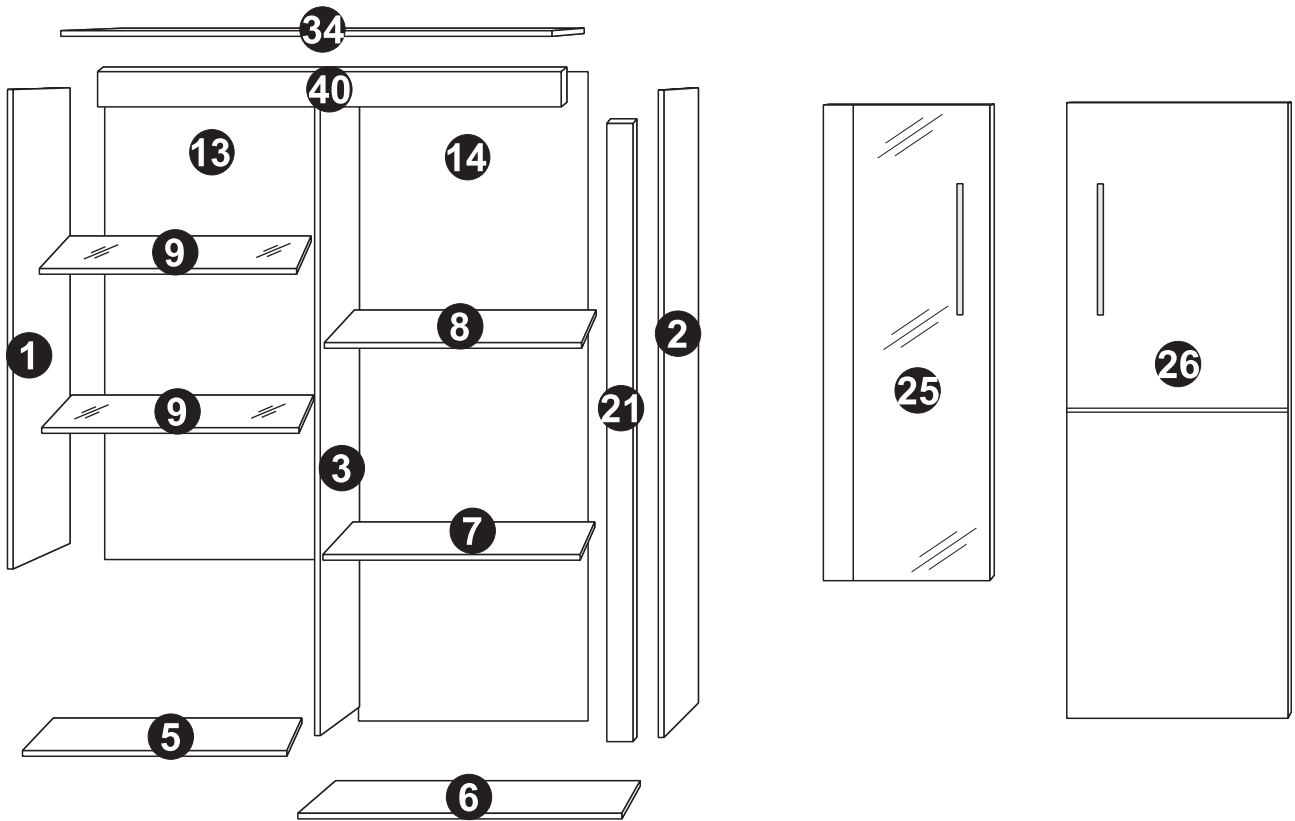
REQUIRED ASSEMBLY TOOLS



ASSEMBLED DIMENSIONS



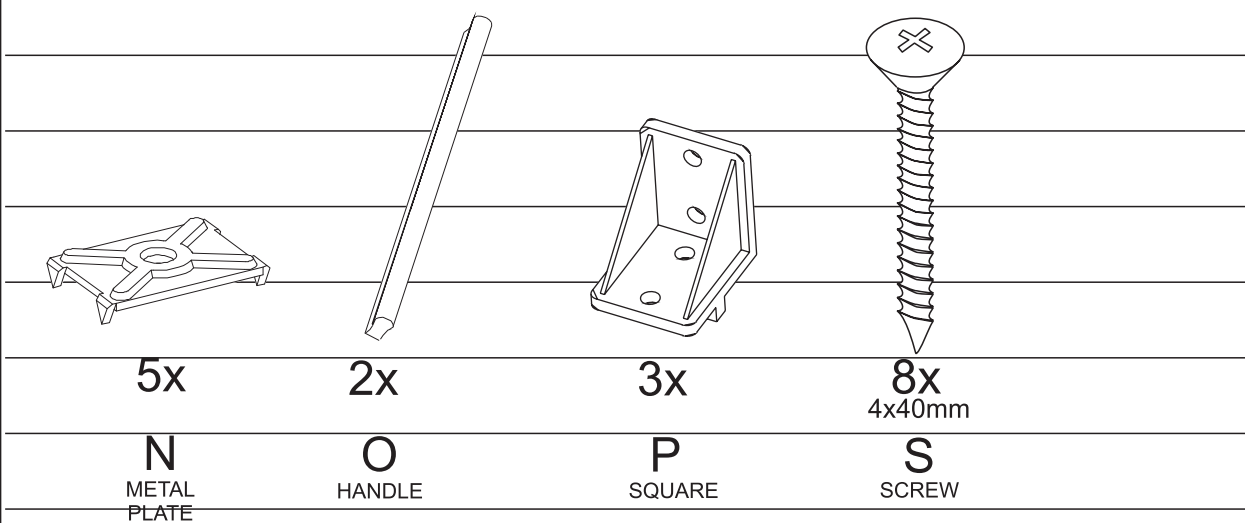
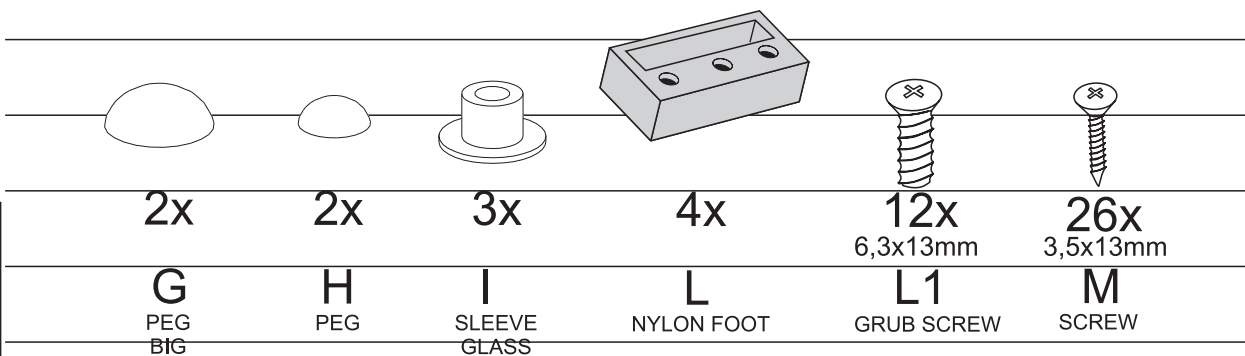
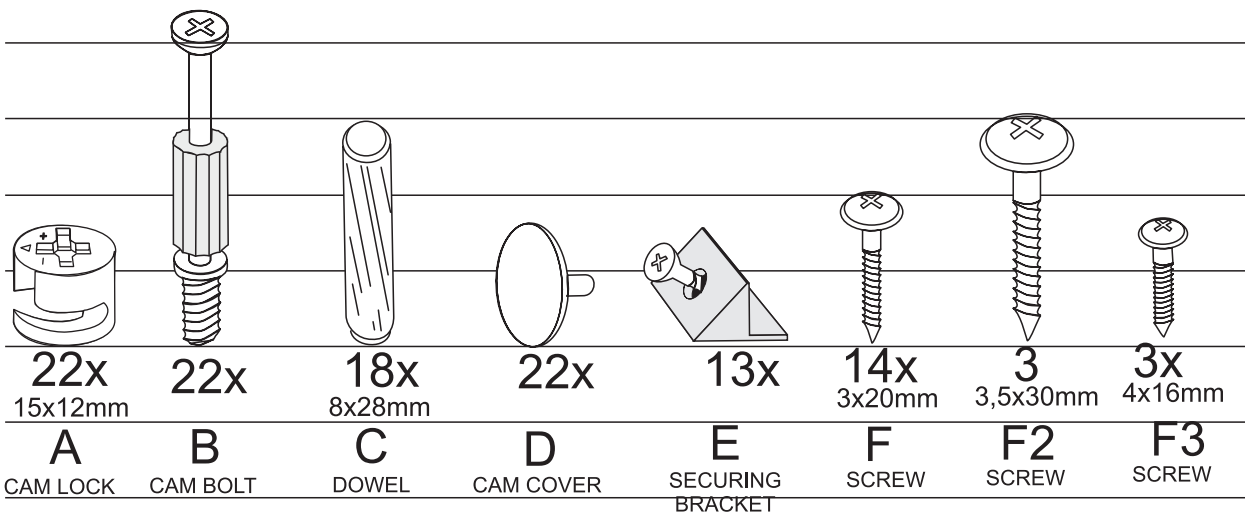
PART LIST



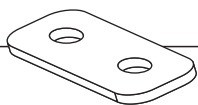
| NO. PARTS LIST | QTY | NO. PARTS LIST | QTY |
|------------------------------|-----|------------------------|-----|
| (1) LEFT SIDE PANEL | 1 | (25) LEFT DOOR W/GLASS | 1 |
| (2) RIGHT SIDE PANEL | 1 | (26) RIGHT DOOR | 1 |
| (3) CENTER DIVIDER | 1 | (40) PLINTH | 1 |
| (34) TOP PANEL | 1 | | |
| (5) HORIZONTAL DIVIDER | 1 | | |
| (6) BOTTOM PANEL | 1 | | |
| (7) RIGHT HORIZONTAL DIVIDER | 1 | | |
| (8) SHELF | 1 | | |
| (9) SHELF GLASS | 2 | | |
| (13) LEFT BACK PANEL | 1 | | |
| (14) RIGHT BACK PANEL | 1 | | |
| (21) RIGHT PLINTH | | | |



HARDWARE LIST

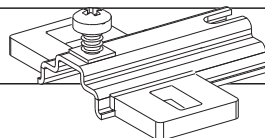
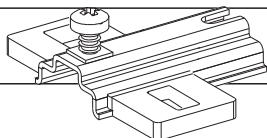


HARDWARE LIST



1x

Q
METAL
PLATE



4x
H-2

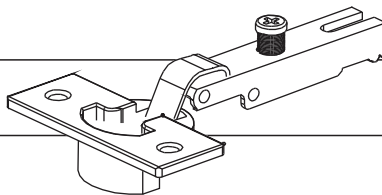
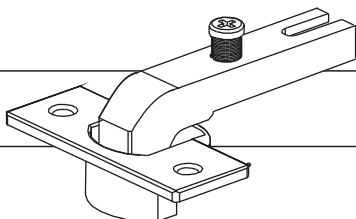
V

HINGE PLATE

2x
H-2

V

HINGE PLATE



4x
90°

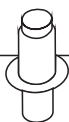
W

HINGE

2x
kr0

W1

HINGE



4x
5x16mm

Z

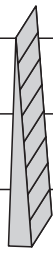
SHELF
SUPPORT



8x
5x16mm

Z1

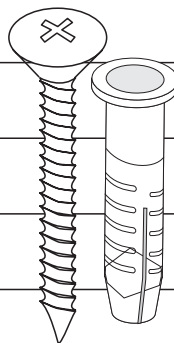
SHELF GLASS
SUPPORT



2x

X

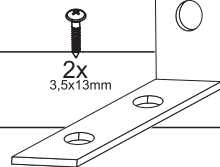
LEVEL QUOIN



1x
4x35mm

R

PLASTIC
DOWEL



2x
3.5x13mm

1x

T

ANGLE

Top Tips before you start!

1. Please check that all parts are present before you start the assembly of your furniture, as once assembled, the furniture is exempt from our home approval policy.
2. For ease and speed of assembly, we recommend that before you commence each step of the assembly, that you identify all the parts required for that step.
3. For larger items, please ensure that you have sufficient space and people (as indicated on page 1) to assemble your product safely.
4. We recommend that, where possible, all items are assembled near to the area in which they will be placed in use, to avoid moving the product unnecessarily once assembled.
5. For the protection of your furniture, particularly items of high gloss finish, we recommend that the product is placed on a protected surface during assembly to prevent any damage.
6. During assembly please take care not to over-tighten any fittings, as this may damage the product .

Care and Maintenance of your Furniture

Please periodically check all fittings and re-tighten as necessary.

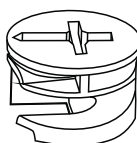
Please do not sit or stand on this item.

Never allow any kind of liquid to remain on your furniture. Absorption can cause wood to warp or finishes to de-laminate.

Please do not drag and pull your furniture.

SPECIAL TIPS FOR FITTING CAM-LOCKS AND CAM-PILLARS

CAM-LOCK



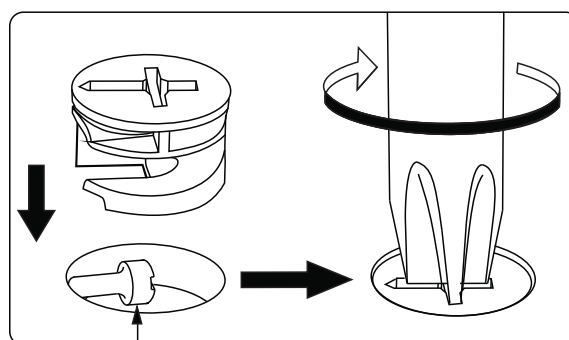
WHEN FITTING CAMS
ENSURE STARTING POSITION IS CORRECT
BEFORE YOU INSERT CONNECTING CAM-PILLAR
TURN CLOCKWISE UNTIL SECURE

✓ ✗

✗

CORRECT WRONG

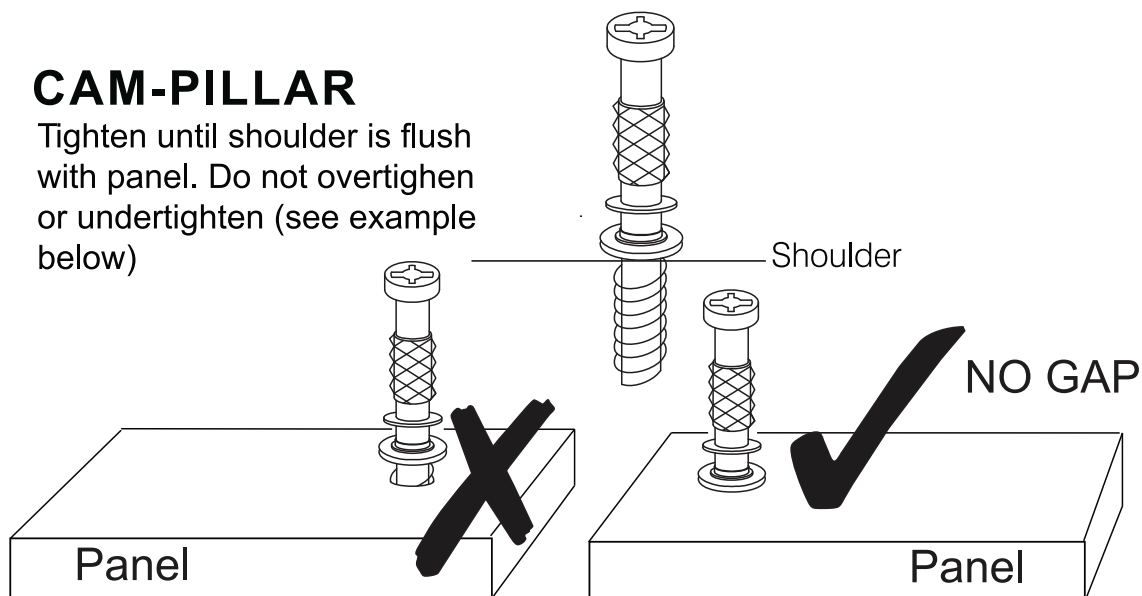
Align with long point of cross



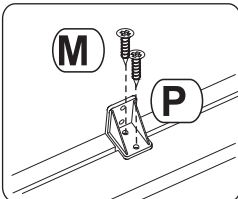
Pillar head needs to be in centre

CAM-PILLAR

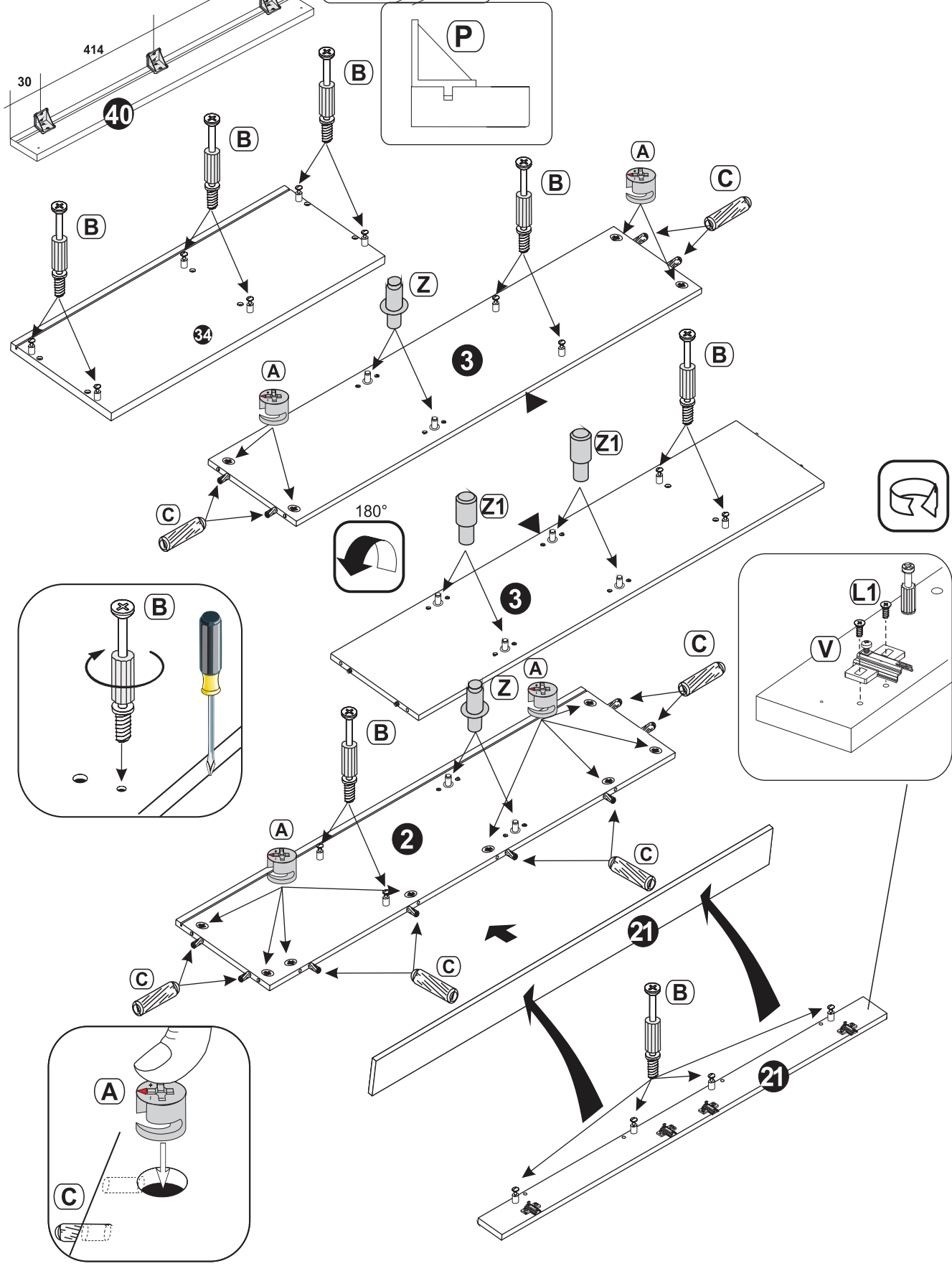
Tighten until shoulder is flush with panel. Do not overtighten or undertighten (see example below)






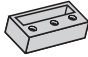


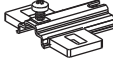
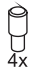
STEP 1

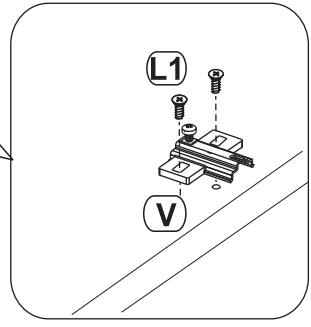
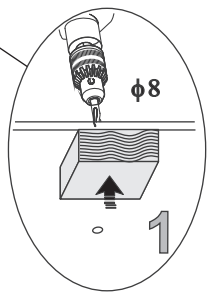
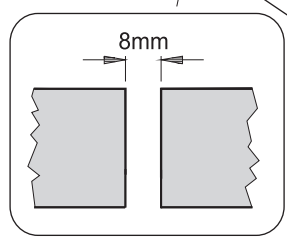
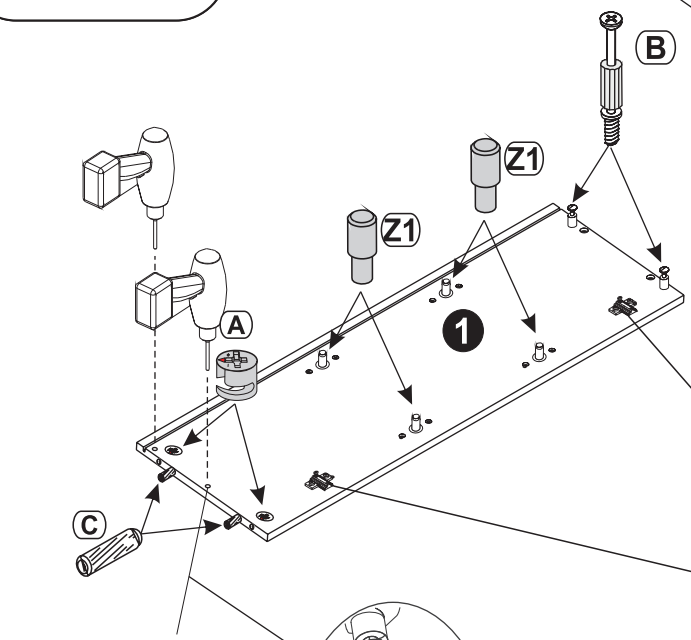
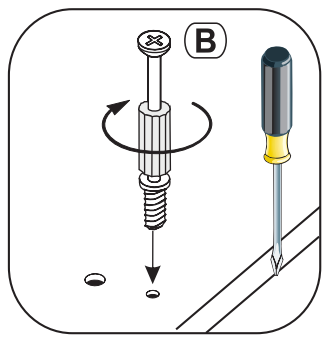
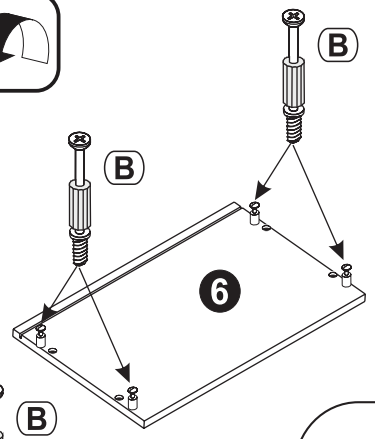
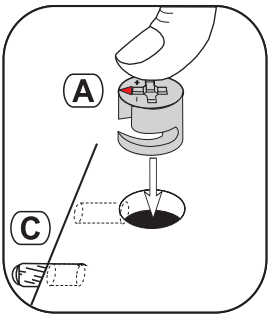
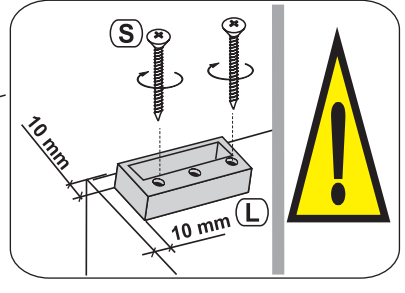
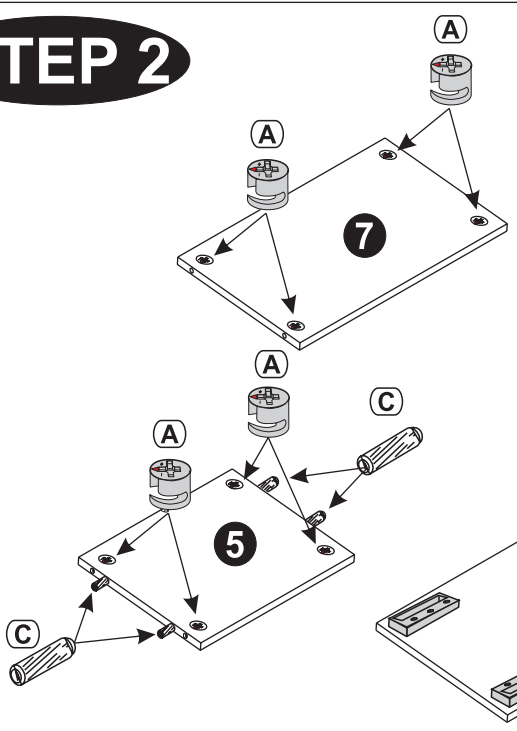


- | | | | | | | | | |
|---------------------|----------|--------------------|----------------|---------|---------------------|----------------------|-------------------|---------------------|
| | | | | | | | | |
| 12x 15x12mm A | 16x B | 12x 8x28mm C | 4x H-4 V | 3x P | 6x 3,5x13mm M | 8x 6,3x13mm L1 | 4x 5x16mm Z | 4x 5x16mm Z1 |
| CAM LOCK | CAM BOLT | DOWEL | HINGE PLATE | SQUARE | SCREW | GRUB SCREW | SHELF SUPPORT | SHELF GLASS SUPPORT |








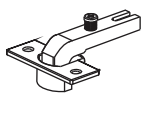
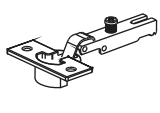
STEP 2

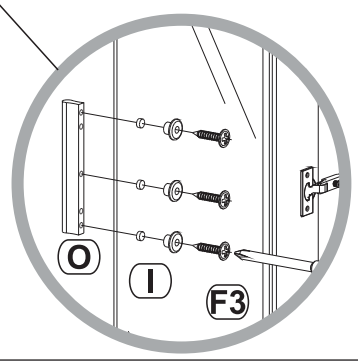
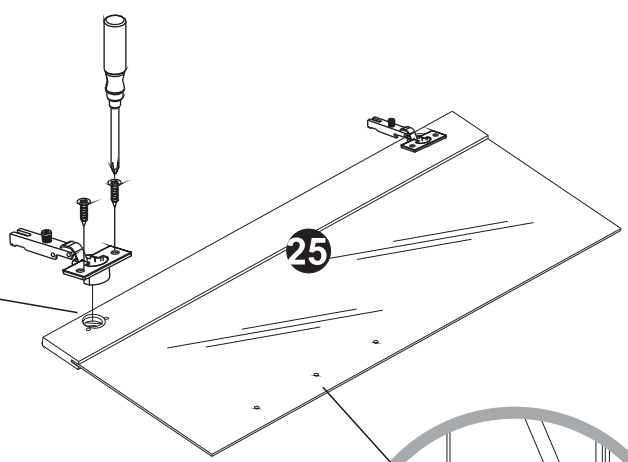
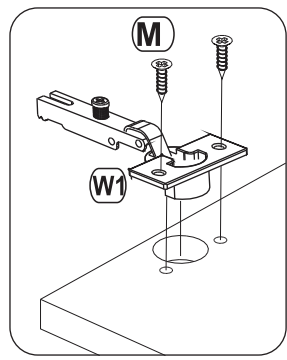
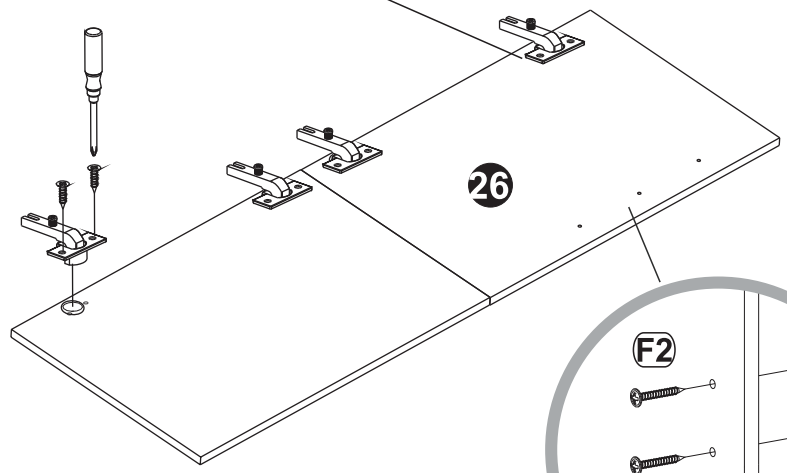
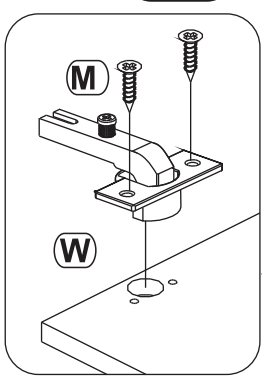
-  10x
15x12mm
A
CAM LOCK
-  6x
B
CAM BOLT
-  6x
8x28mm
C
DOWEL
-  4x
L
NYLON FOOT
-  4x
6.3x13mm
L1
GRUB SCREW
-  8x
4x40mm
S
SCREW
-  2x
H-2
V
HINGE PLATE
-  4x
5x16mm
Z1
SHELF GLASS
SUPPORT



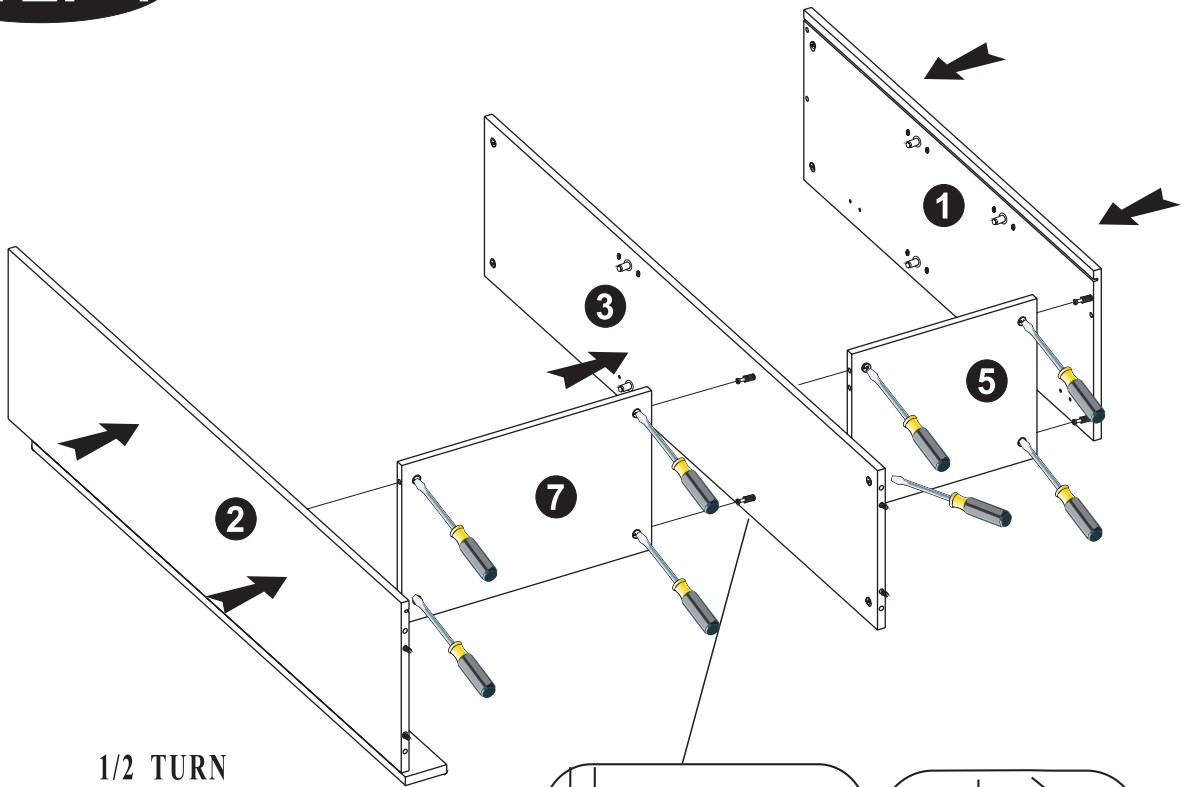
STEP 3



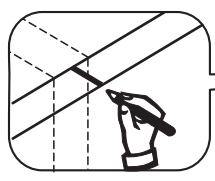
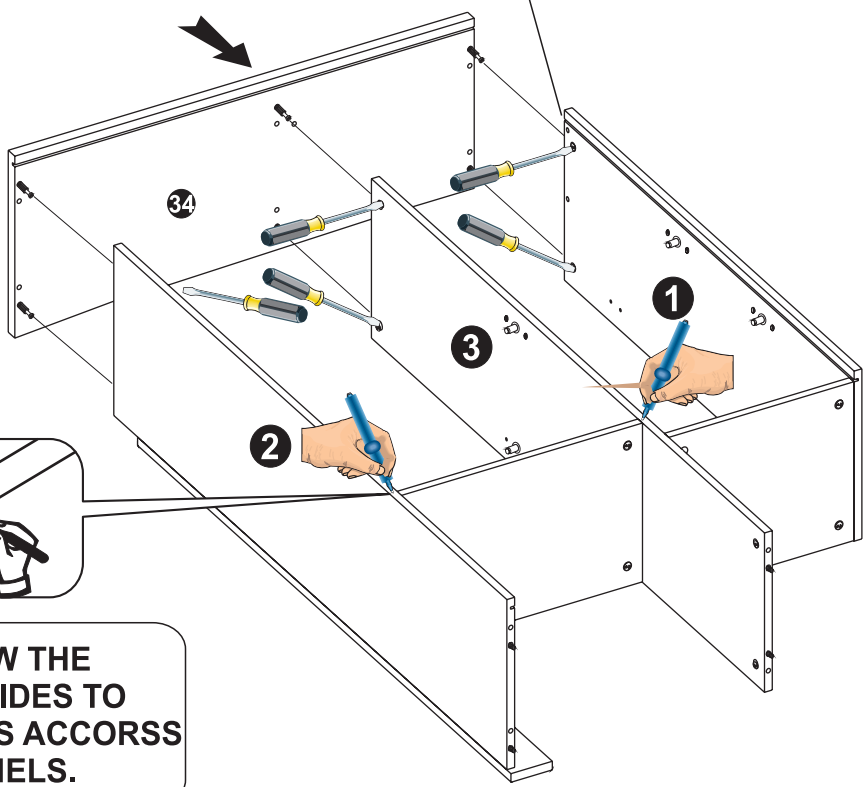
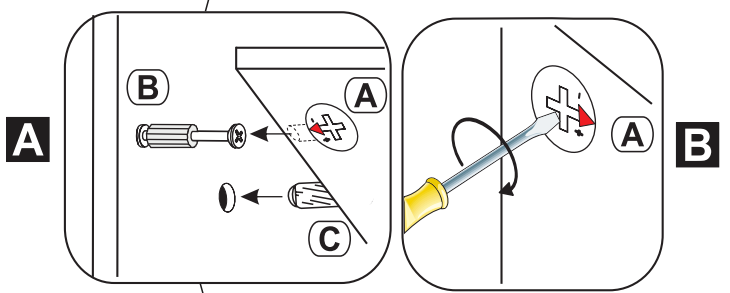
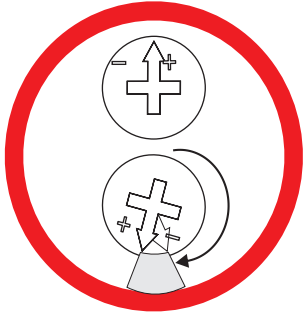
- 
 3x
 3,5x30mm
F2
 SCREW
- 
 3x
 4x16mm
F3
 SCREW
- 
 3x
I
 SLEEVE
 GLASS
- 
 12x
 3,5x13mm
M
 SCREW
- 
 2x
O
 HANDLE
- 
 4x
W
 HINGE
- 
 2x
 K10
W1
 HINGE



STEP 4






1/2 TURN
CLOCKWISE.

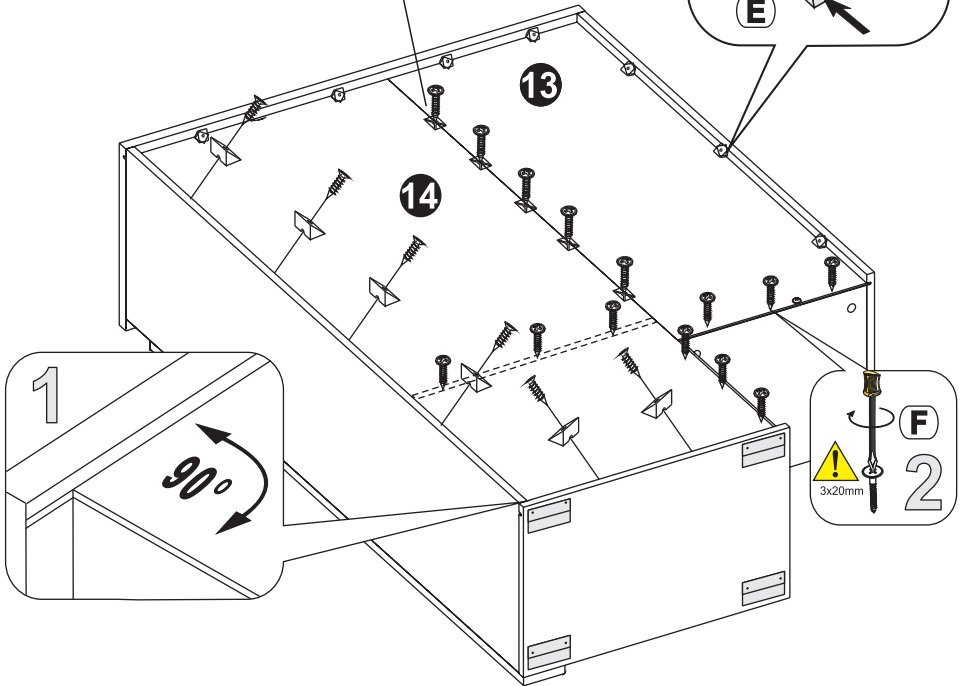
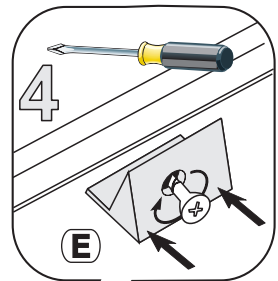
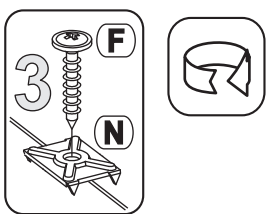
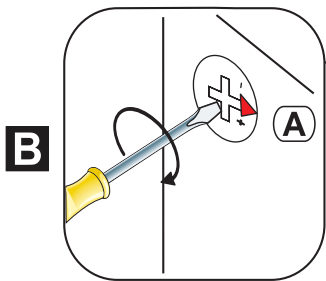
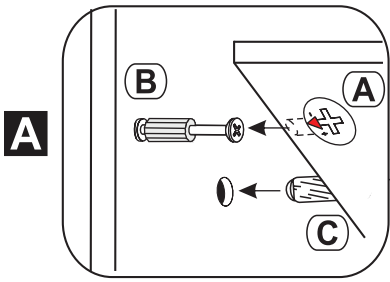
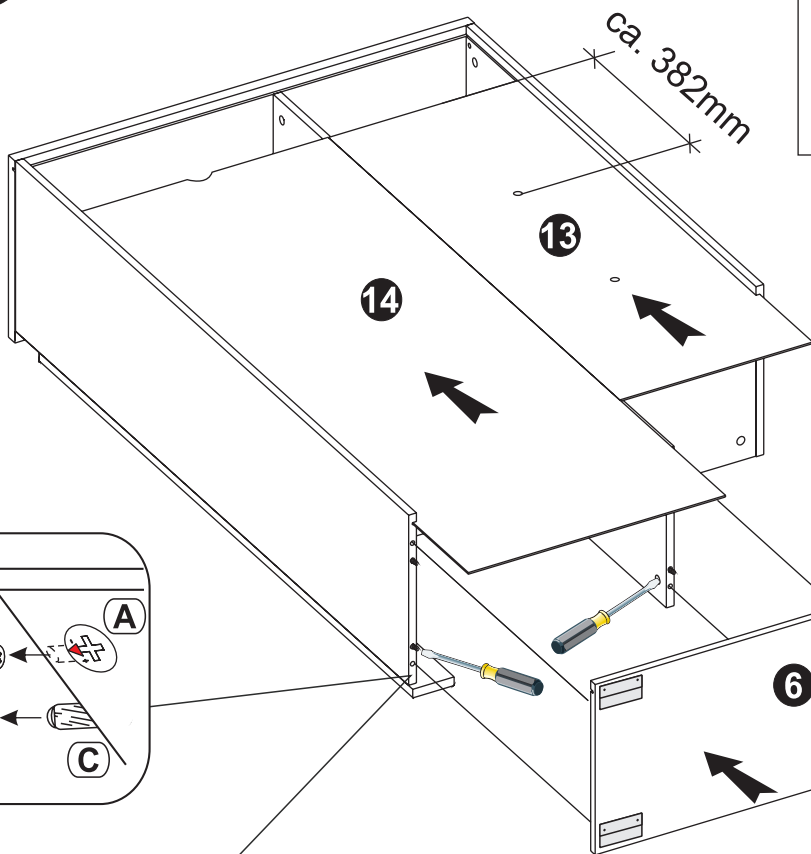
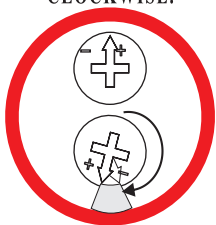


PLEASE FOLLOW THE
MARK ON THE SIDES TO
FIX THE SCREWS ACCROSS
THE BACK PANNELS.

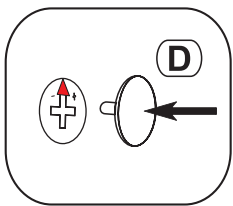
STEP 5




-  13x
E
SECURING
BRACKET
-  14x
3x20mm
F
SCREW
-  5x
N
METAL
PLATE

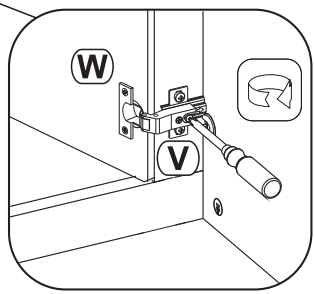
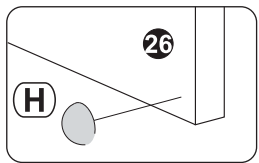
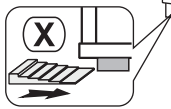
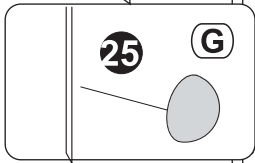
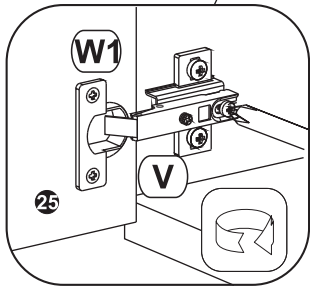
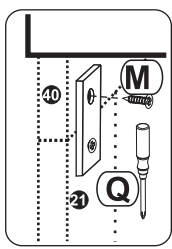
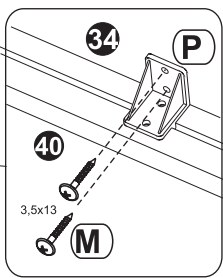
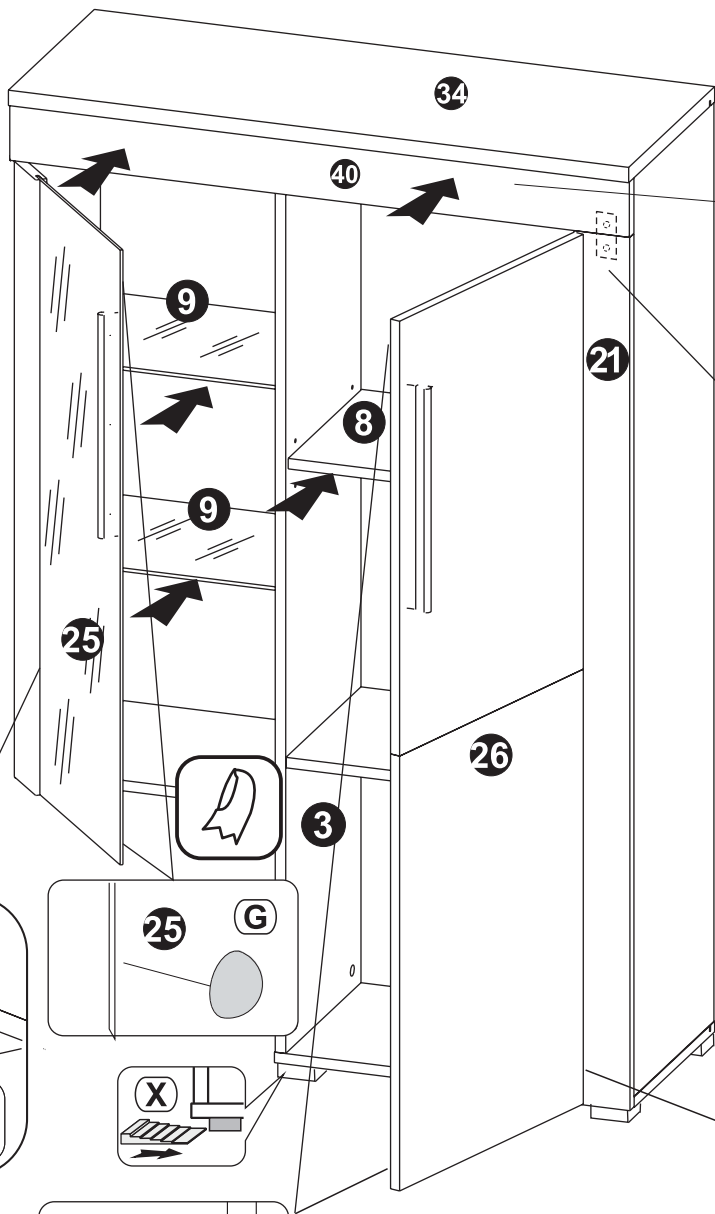
1/2 TURN
CLOCKWISE.



STEP 6

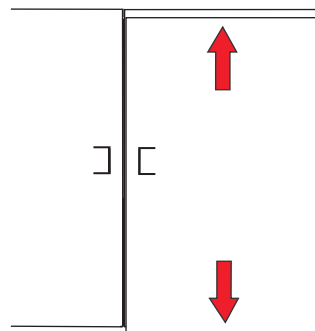
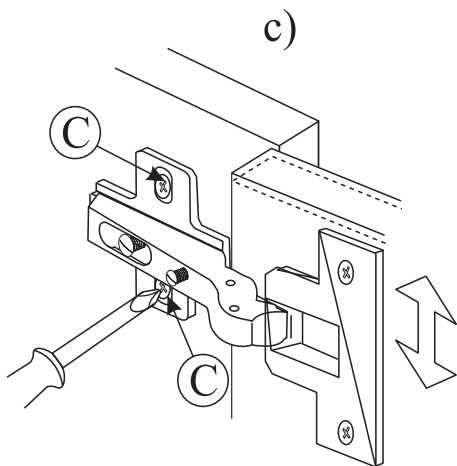
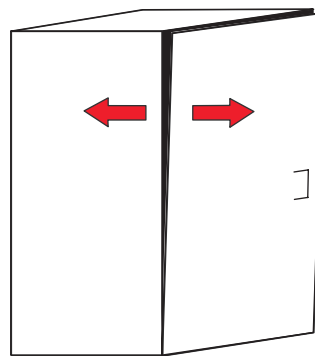
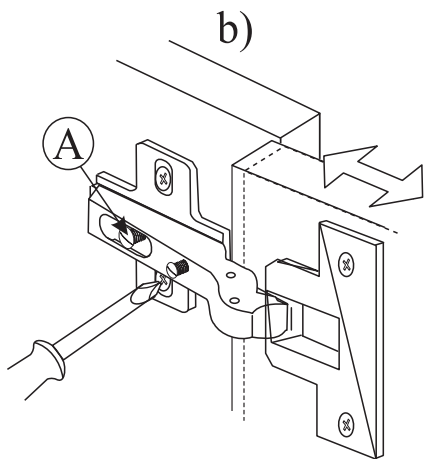
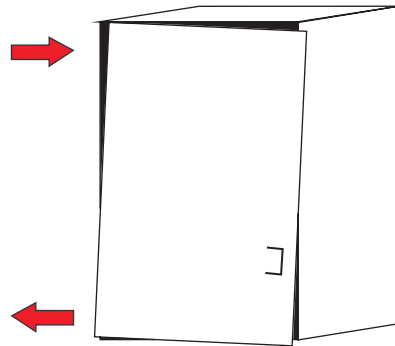
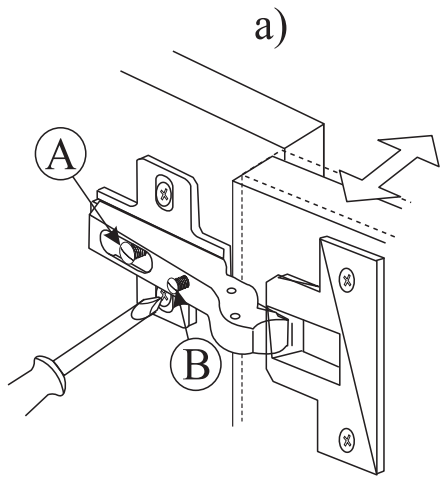


-  22x
D
CAM COVER
-  1x
Q
METAL PLATE
-  2x
G
PEG BIG
-  2x
H
PEG
-  8x
3,5x13mm
M
SCREW
-  2x
X
LEVEL QUOIN



 LED Lights in type 317/319

STEP 7



STEP 8

