

ASSEMBLY INSTRUCTION

DESCRIPTION: Type 319 BOOM

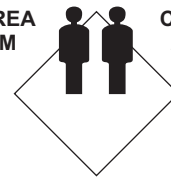
2.5 hrs

APPROXIMATE ASSEMBLY TIME
EXCLUDING GLUE SETTING TIME

2 PERSON ASSEMBLY

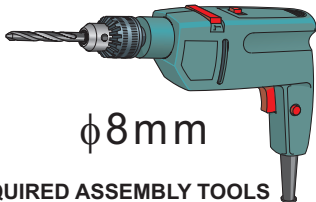


FLOOR AREA
2,5M X 2,5M



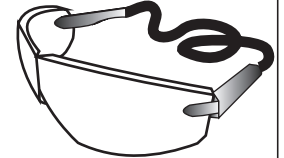
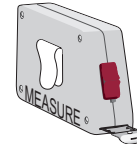
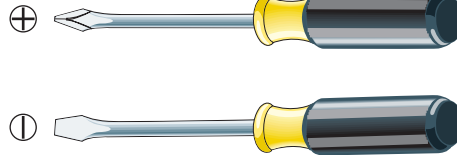
CEILING HEIGHT
2,0M

REQUIRED ASSEMBLY SPACE

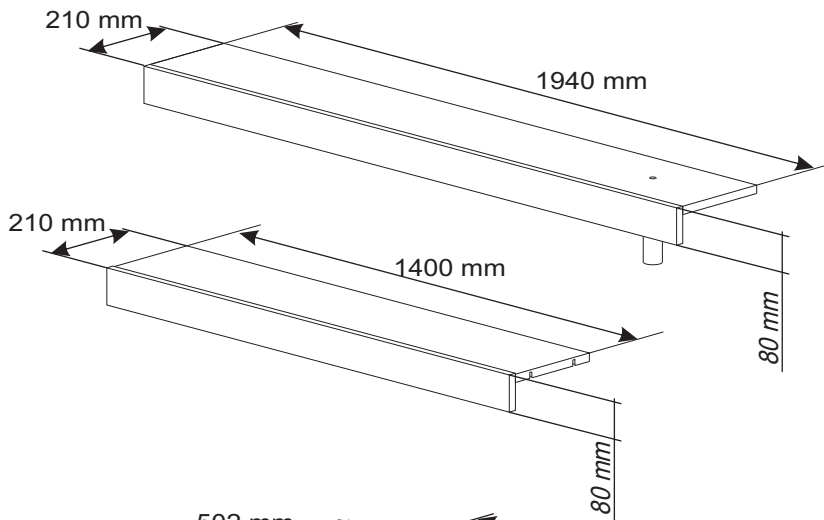


$\phi 8\text{mm}$

REQUIRED ASSEMBLY TOOLS

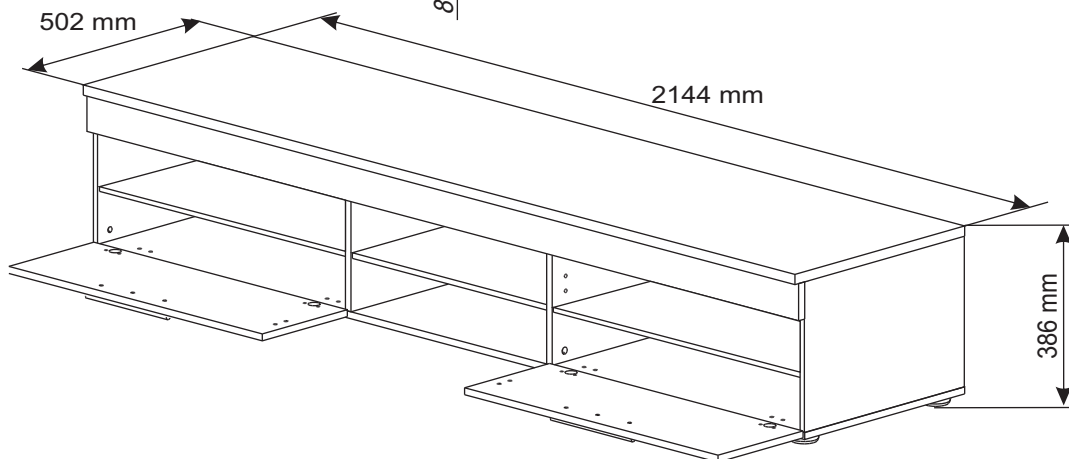


ASSEMBLED DIMENSIONS

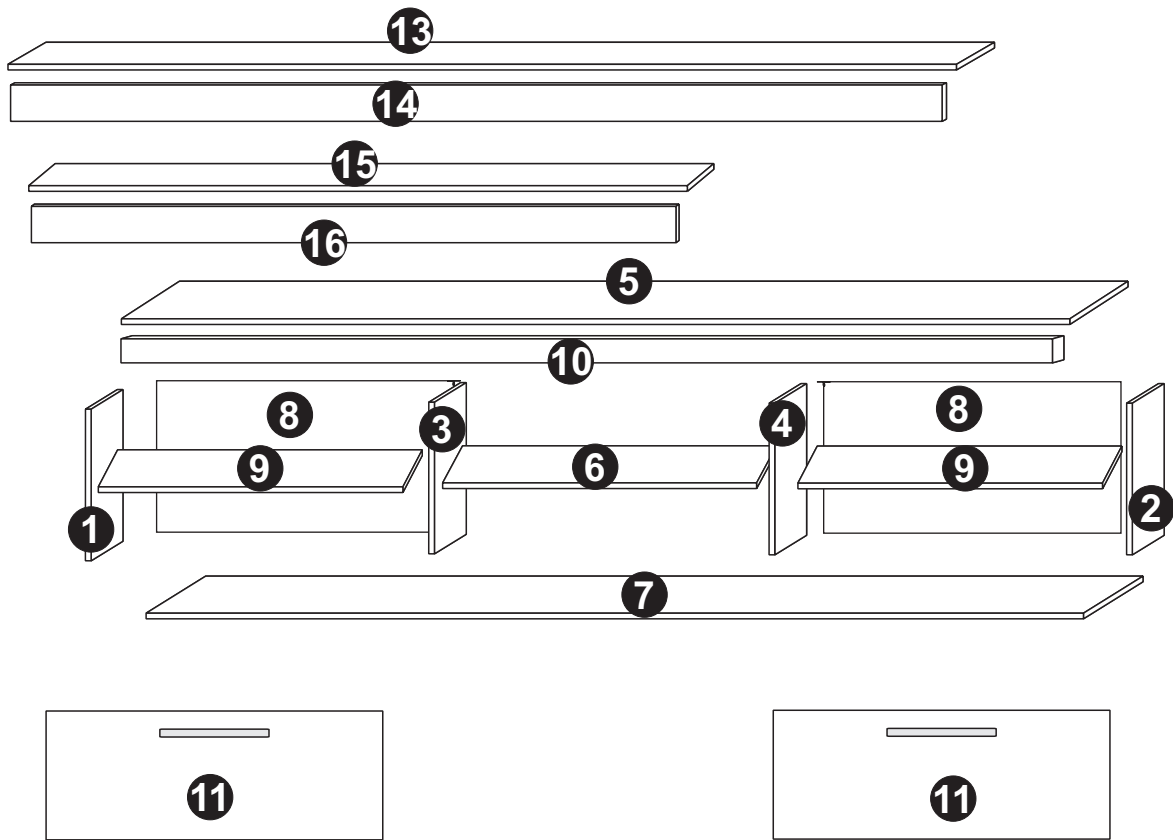


PACK 1
CONSISTS OF PARTS :
1, 2, 3, 4, 6, 8, 9, 11.
Fittings

PACK 2
CONSISTS OF PARTS :
5, 7, 10, 13, 14, 15, 16.



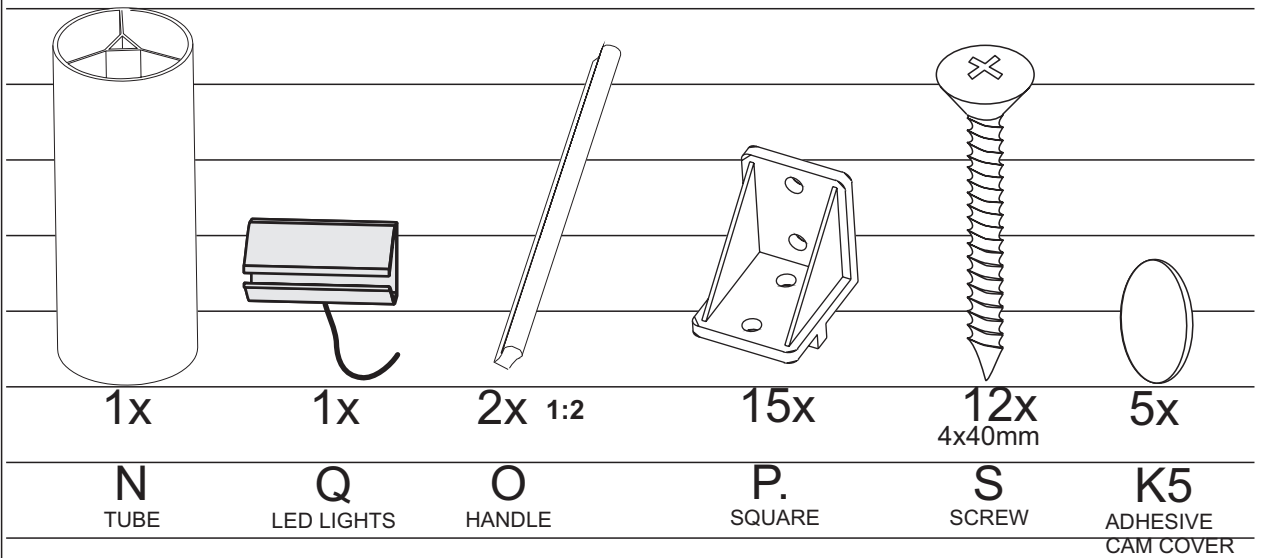
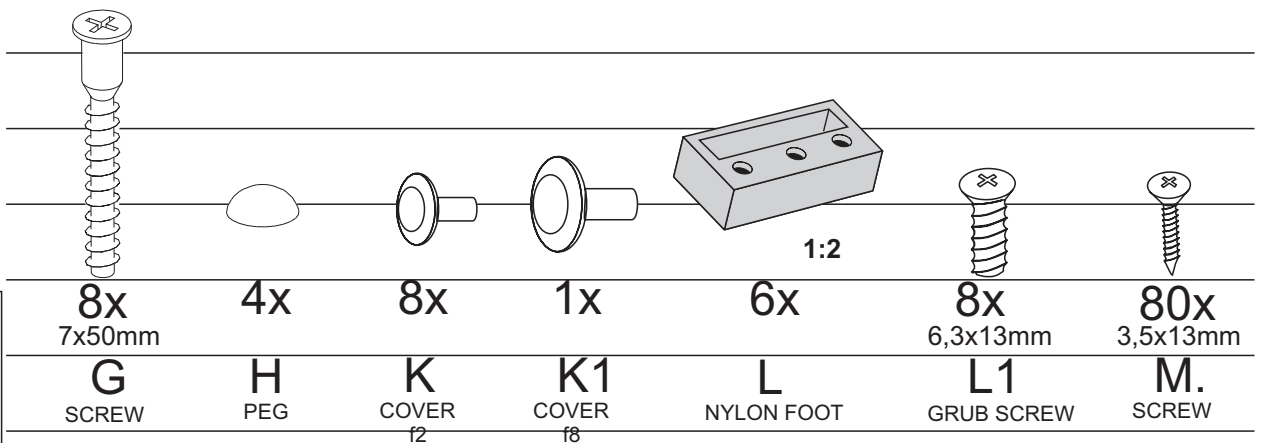
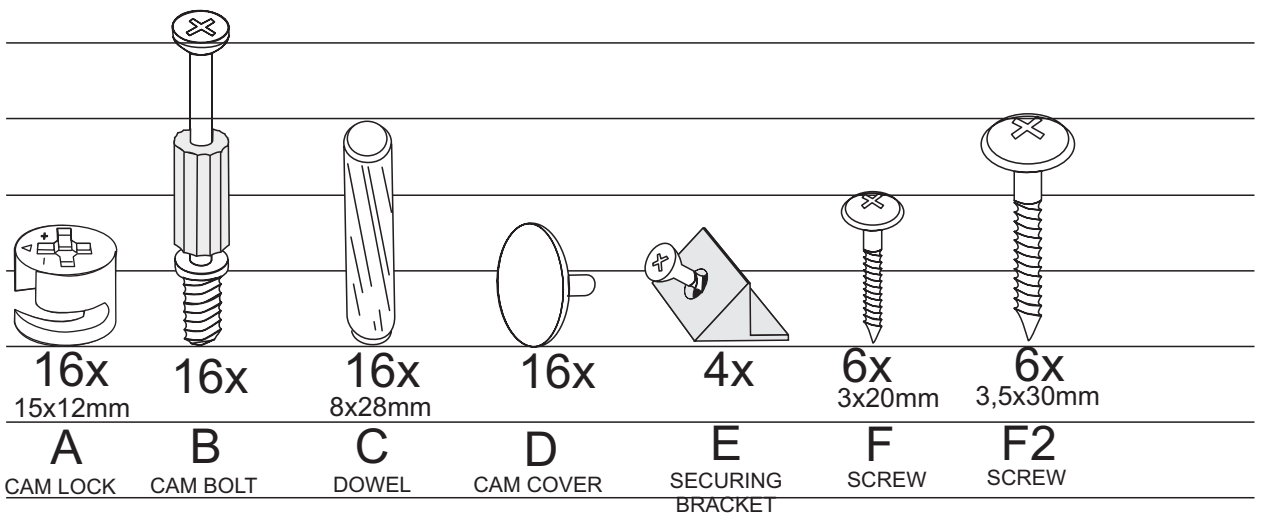
PART LIST



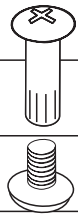
NO. PARTS LIST	QTY	NO. PARTS LIST	QTY
(1) LEFT SIDE PANEL	1	(13) HANGING SHELF	1
(2) RIGHT SIDE PANEL	1	(14) PLINTH 1	1
(3) LEFT DIVIDER	1	(15) BOTTOM HANGING SHELF	1
(4) RIGHT DIVIDER	1	(16) PLINTH 2	1
(5) TOP PANEL	1		
(6) SHELF	1		
(7) BOTTOM PANEL	1		
(8) BACK PANEL	2		
(9) R/L SHELF	2		
(10) PLINTH	1		
(11) FLAP	2		



HARDWARE LIST

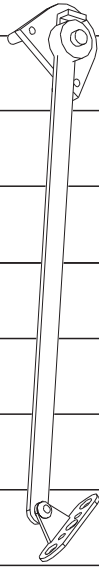


HARDWARE LIST



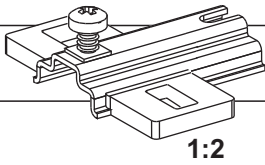
2x
Y

CONCATENATION



2x
U

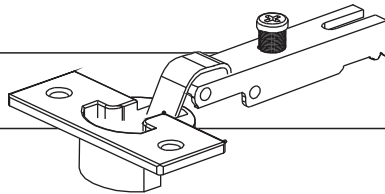
FLAPS SETTING INDICATOR



1:2

4x
H-2
V

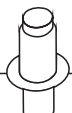
HINGE PLATE



1:2

4x
kr0
W1

HINGE



12x
5x16mm
Z

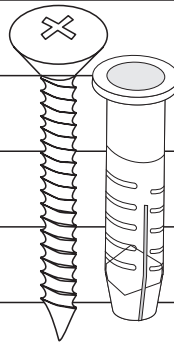
SHELF
SUPPORT



2x
X

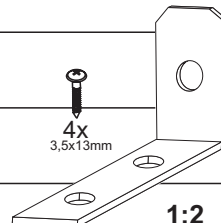
LEVEL QUOIN

1:2



2x
4x35mm
R

PLASTIC
DOWEL



4x
3.5x13mm

2x
T

ANGLE

1:2

Top Tips before you start!

1. Please check that all parts are present before you start the assembly of your furniture, as once assembled, the furniture is exempt from our home approval policy.
2. For ease and speed of assembly, we recommend that before you commence each step of the assembly, that you identify all the parts required for that step.
3. For larger items, please ensure that you have sufficient space and people (as indicated on page 1) to assemble your product safely.
4. We recommend that, where possible, all items are assembled near to the area in which they will be placed in use, to avoid moving the product unnecessarily once assembled.
5. For the protection of your furniture, particularly items of high gloss finish, we recommend that the product is placed on a protected surface during assembly to prevent any damage.
6. During assembly please take care not to over-tighten any fittings, as this may damage the product .

Care and Maintenance of your Furniture

Please periodically check all fittings and re-tighten as necessary.

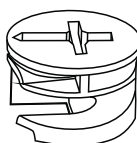
Please do not sit or stand on this item.

Never allow any kind of liquid to remain on your furniture. Absorption can cause wood to warp or finishes to de-laminate.



Please do not drag and pull your furniture.




SPECIAL TIPS FOR FITTING CAM-LOCKS AND CAM-PILLARS

CAM-LOCK



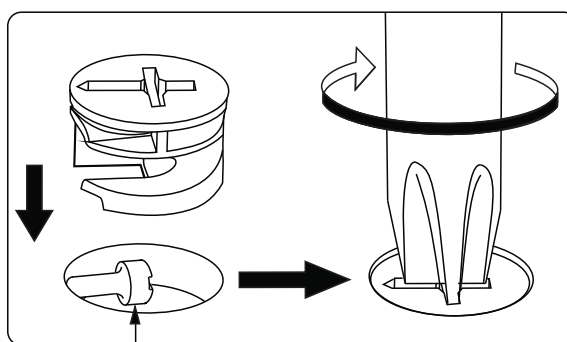
WHEN FITTING CAMS
ENSURE STARTING POSITION IS CORRECT
BEFORE YOU INSERT CONNECTING CAM-PILLAR
TURN CLOCKWISE UNTIL SECURE

✓   ✗

CORRECT WRONG

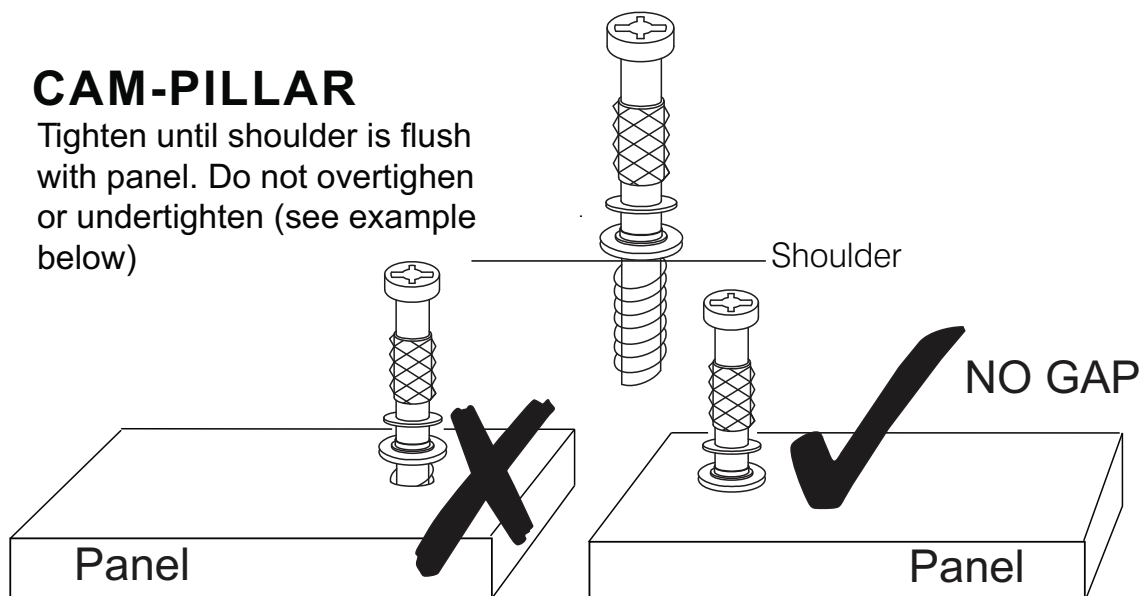
Align with long point of cross



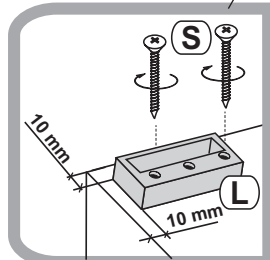
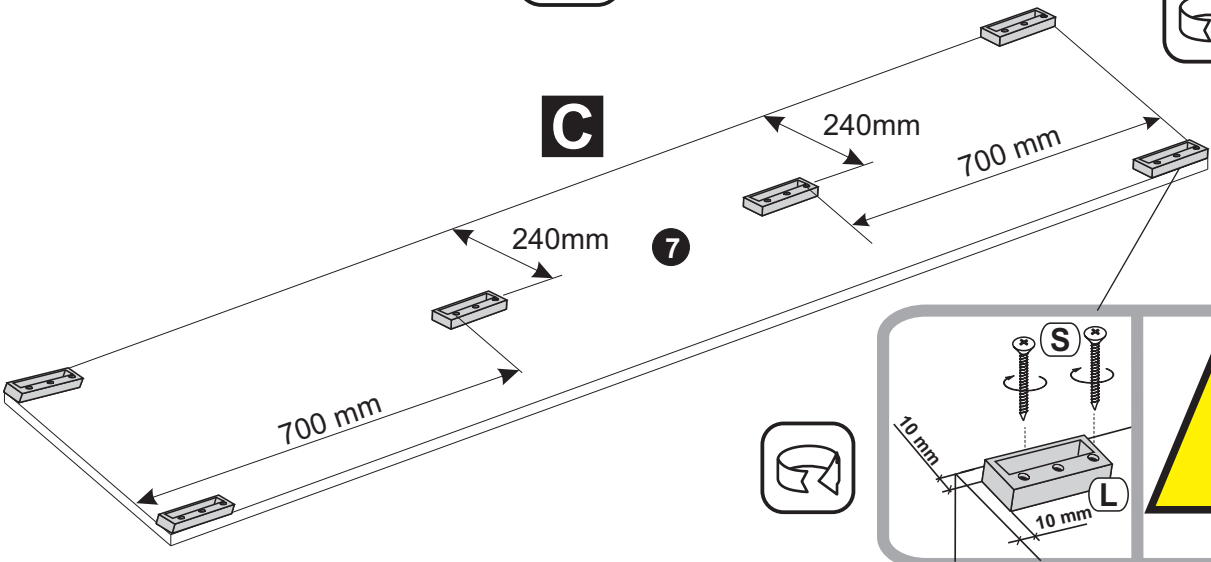
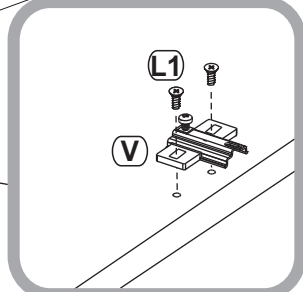
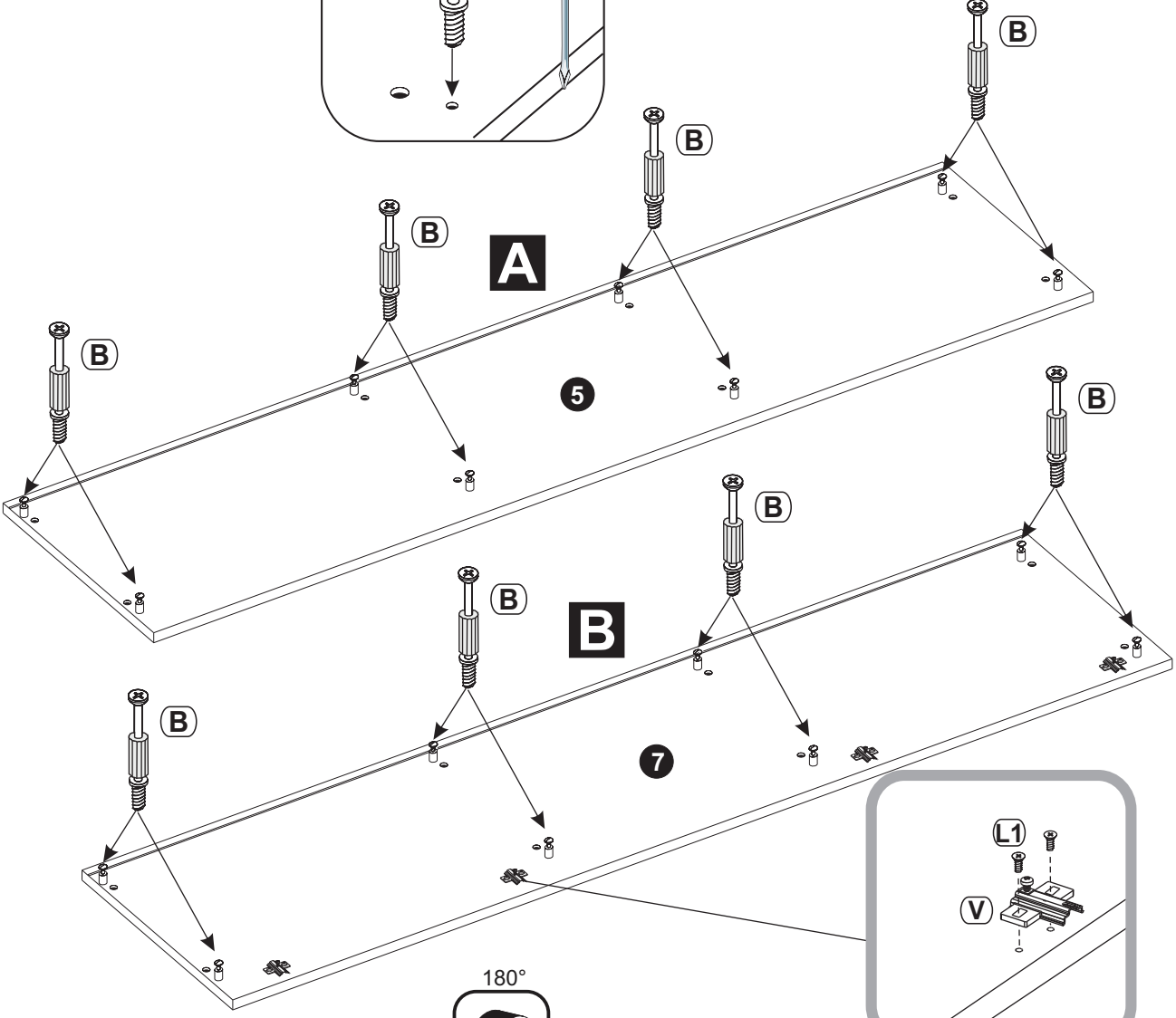
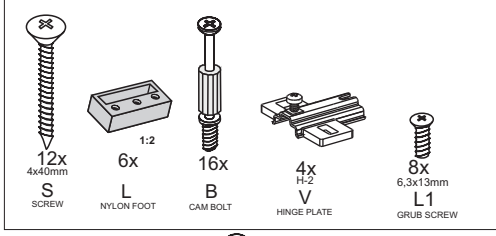
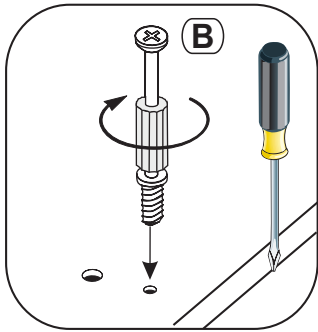
Pillar head needs to be in centre

CAM-PILLAR

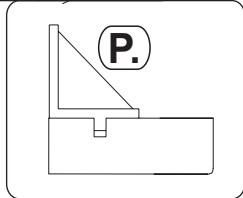
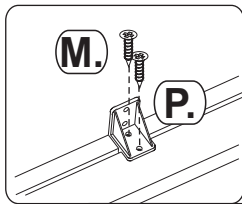
Tighten until shoulder is flush with panel. Do not overtighten or undertighten (see example below)



STEP 1



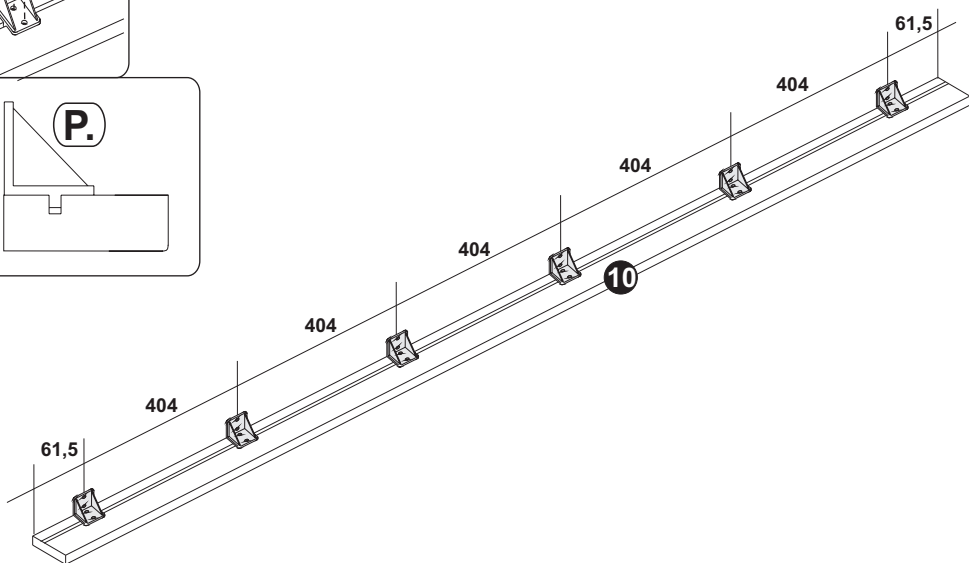
STEP 2



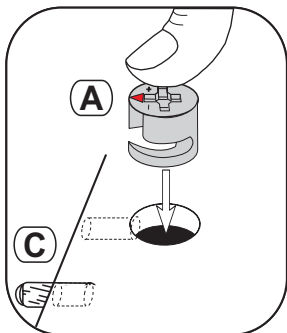
6x
P.
SQUARE



12x
3,5x13mm
M.
SCREW



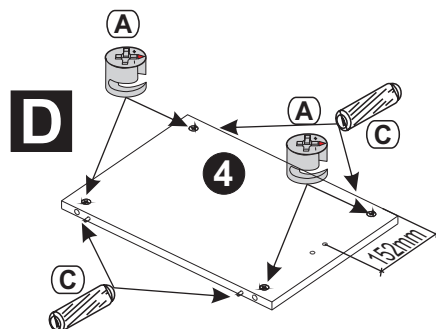
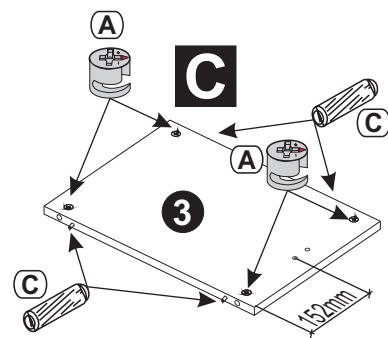
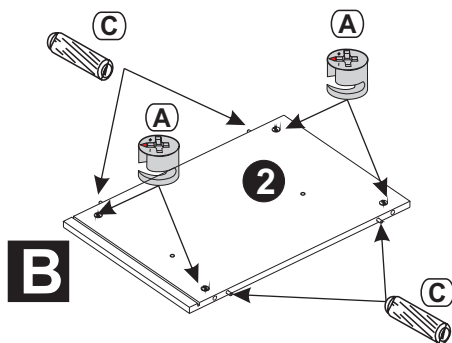
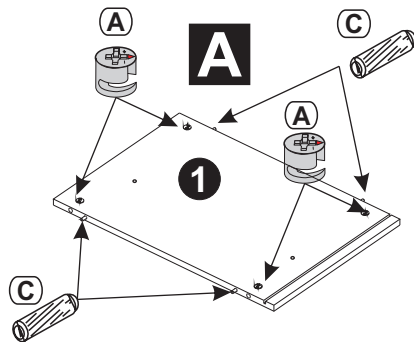
STEP 3





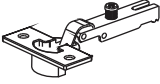
16x
15x12mm
A
CAM LOCK

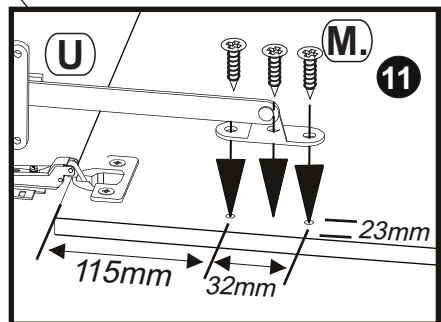
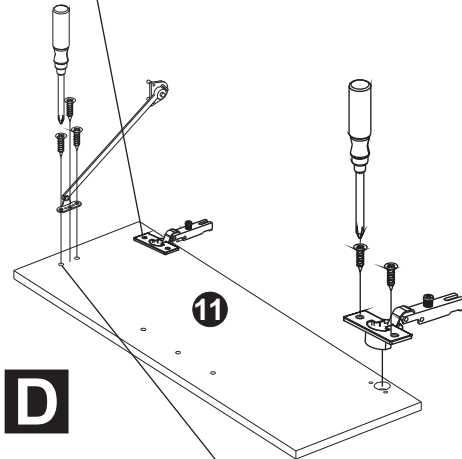
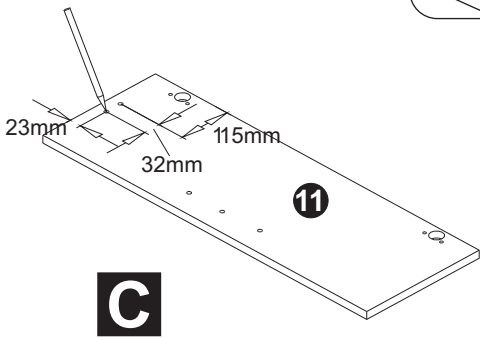
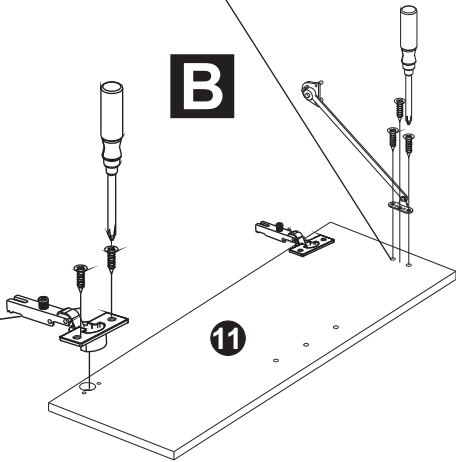
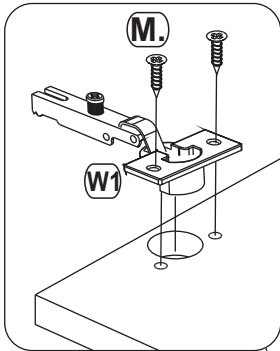
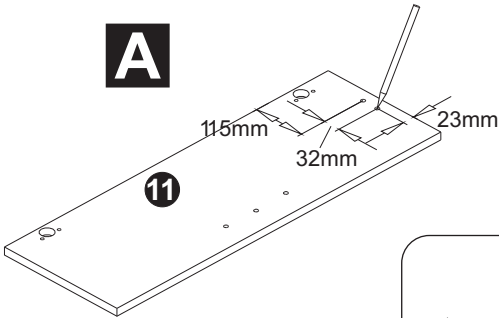
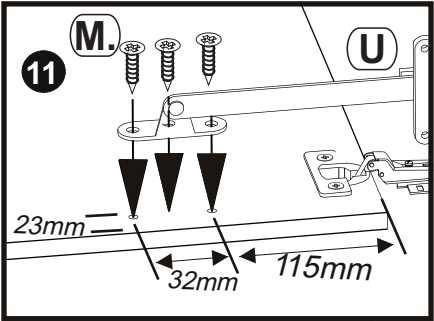


16x
8x28mm
C
DOWEL

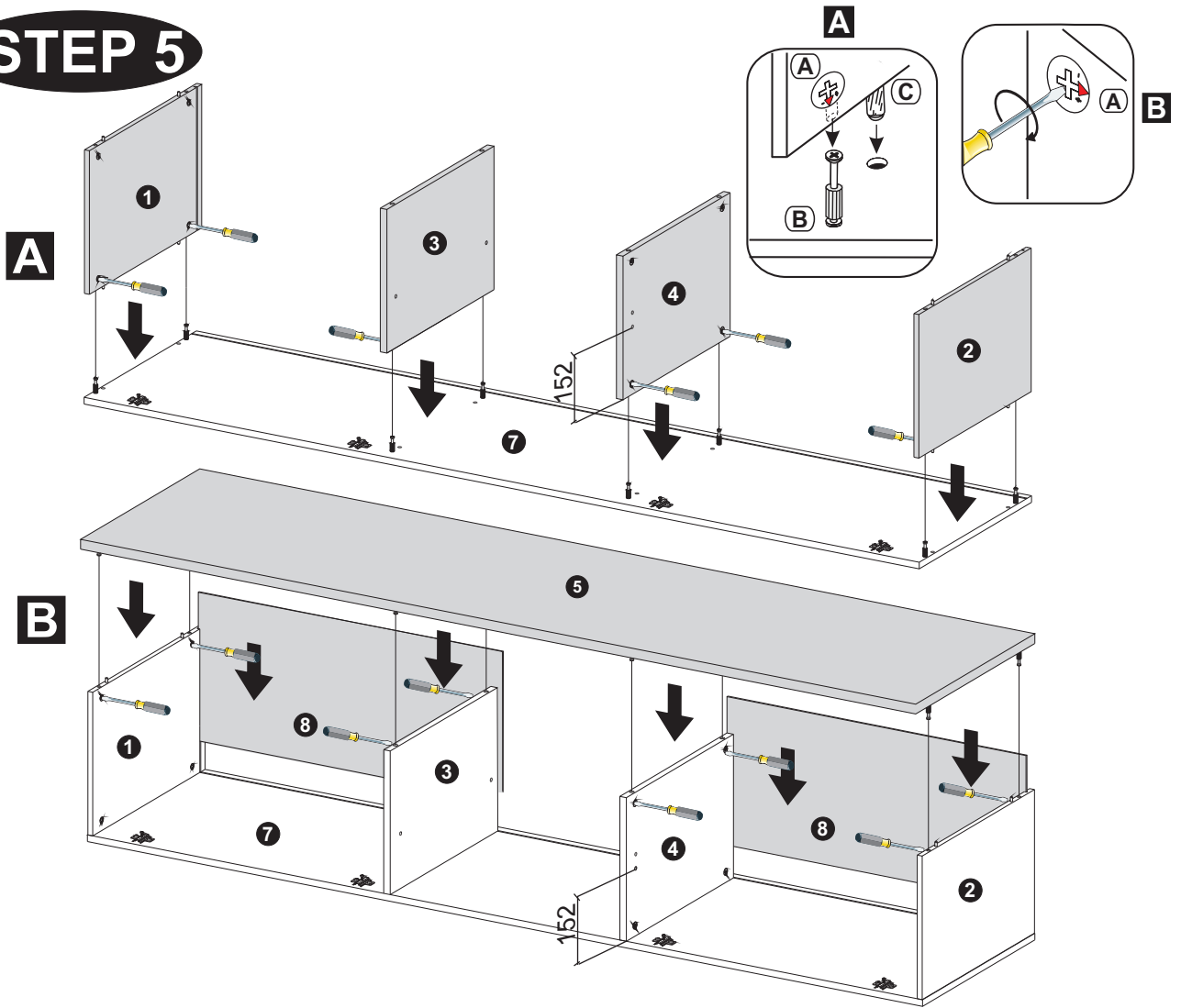


STEP 4

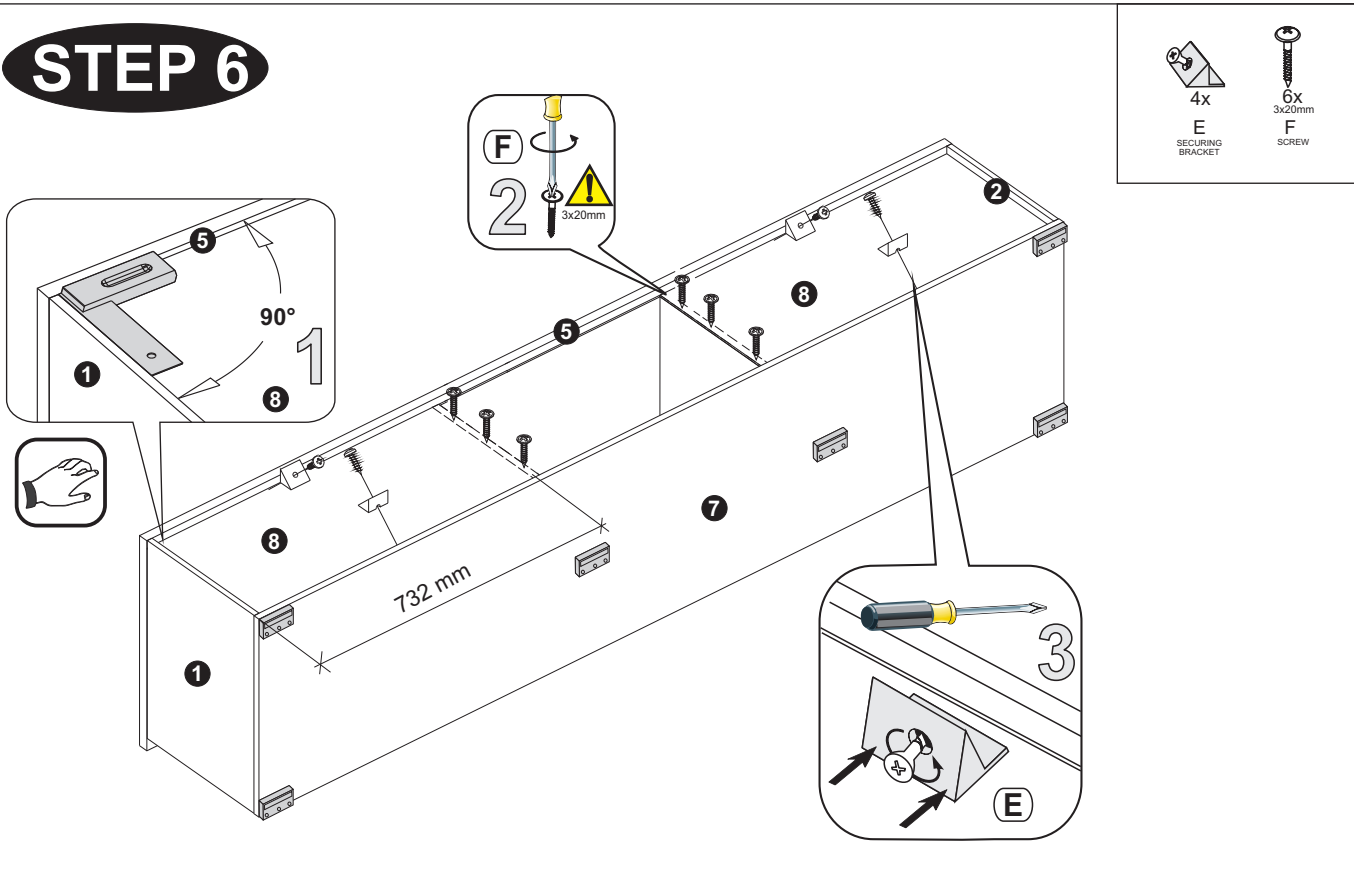
 2x U <small>FLAPS SETTING INDICATOR</small>	 14x <small>3,5x13mm</small> M. <small>SCREW</small>	 <small>1:2</small> 4x <small>kf0</small> W1 <small>HINGE</small>
--	---	---



STEP 5

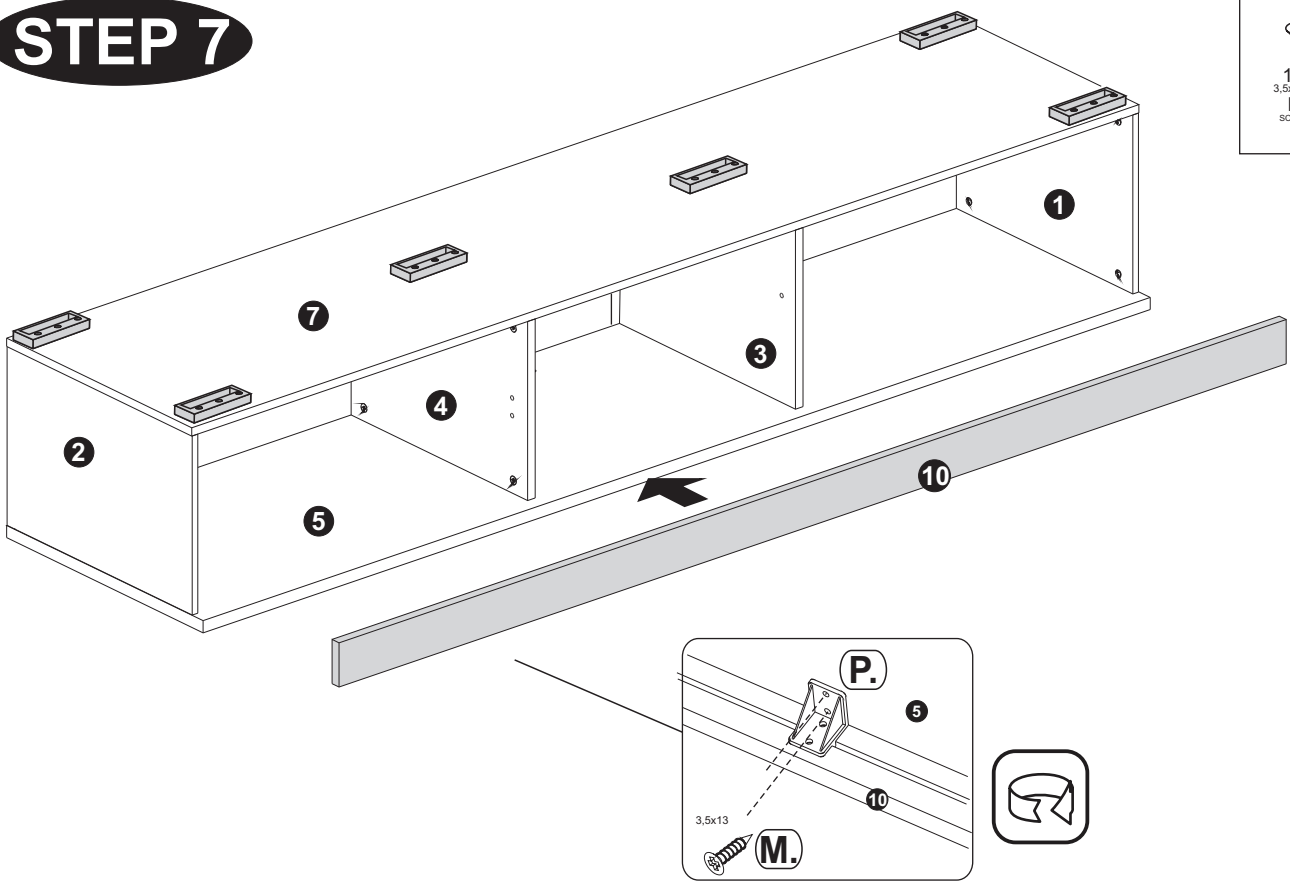


STEP 6



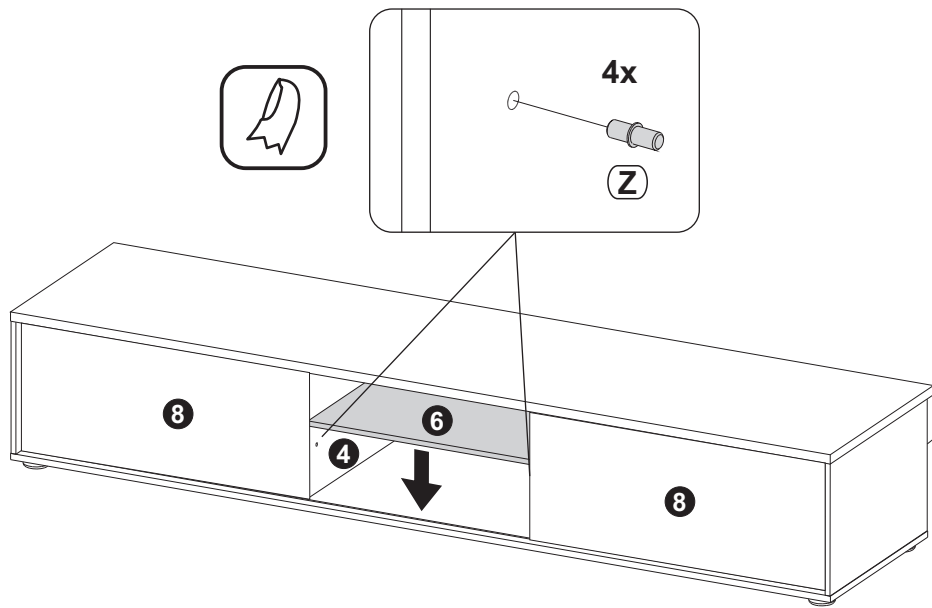
STEP 7

12x
3,5x13mm
M.
SCREW

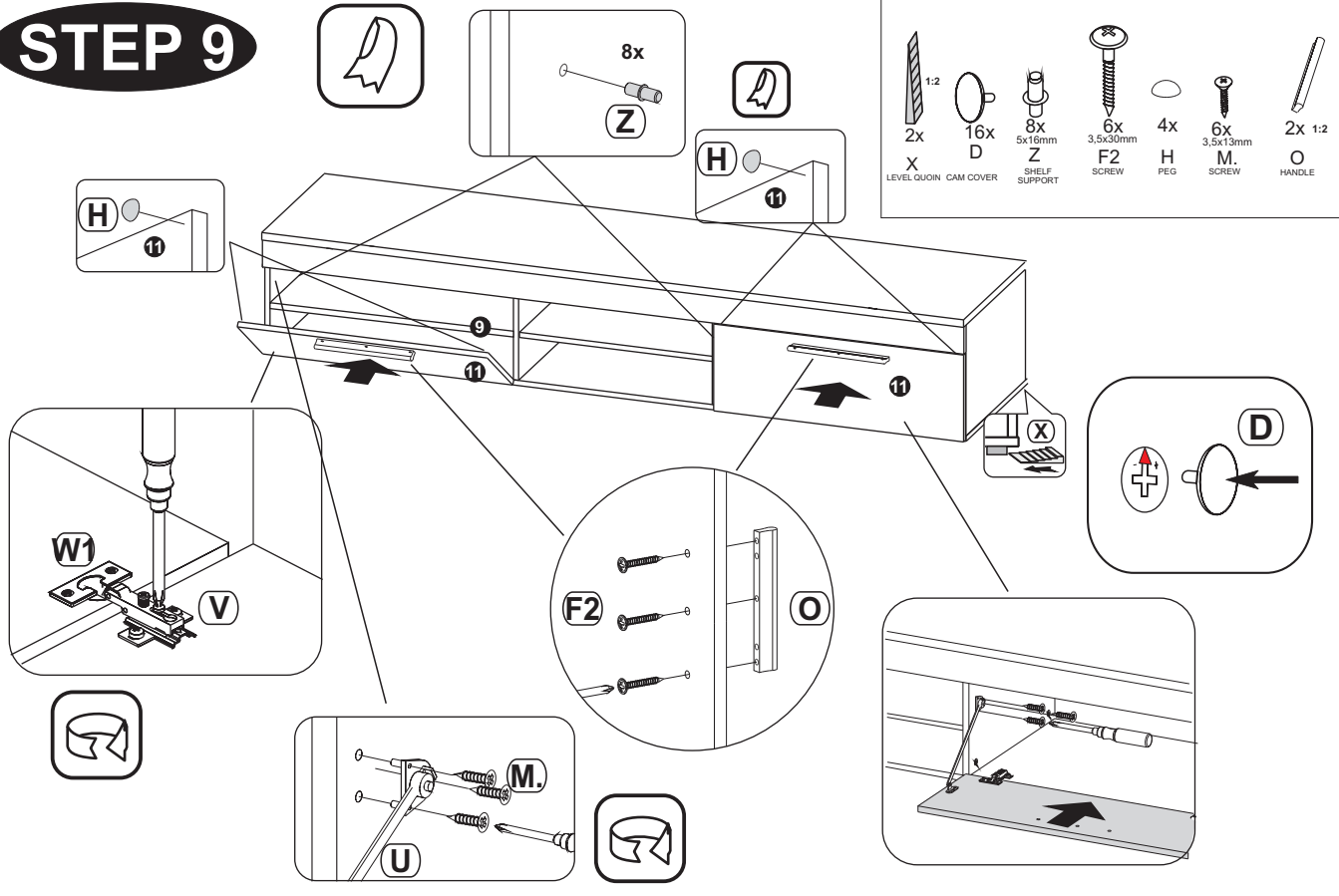


STEP 8

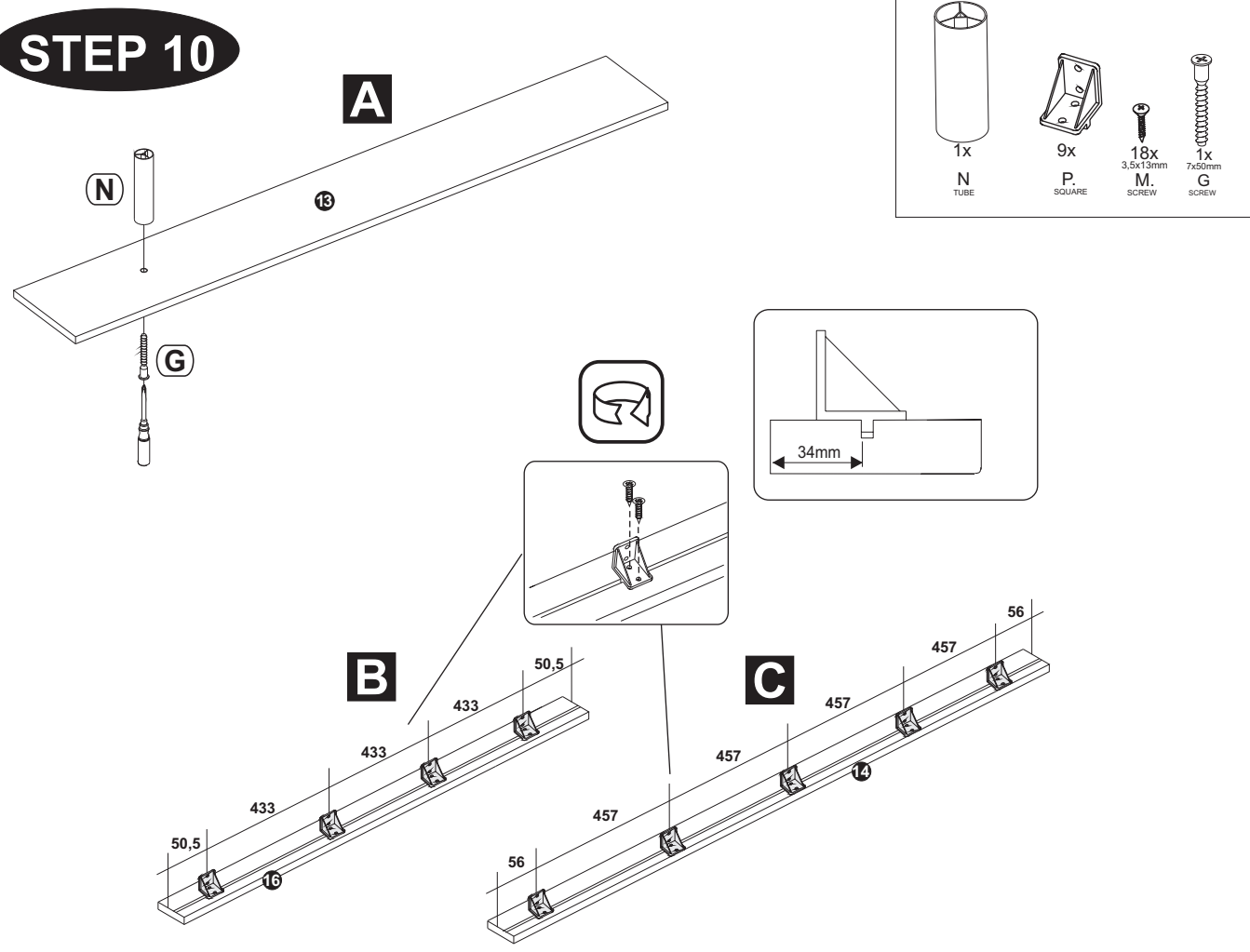
4x
5x16mm
Z
SHELF
SUPPORT



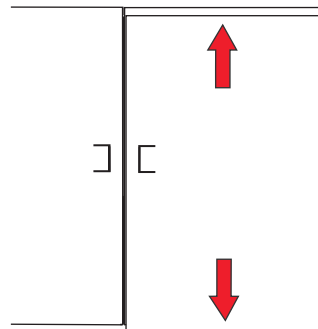
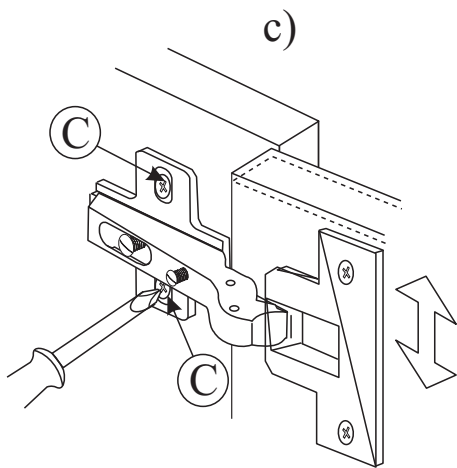
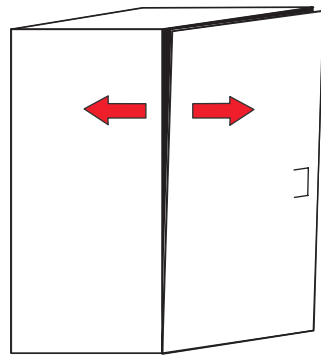
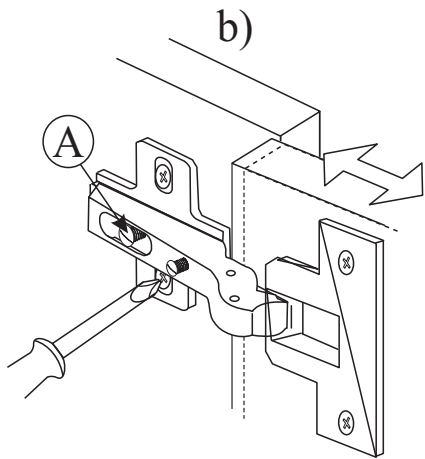
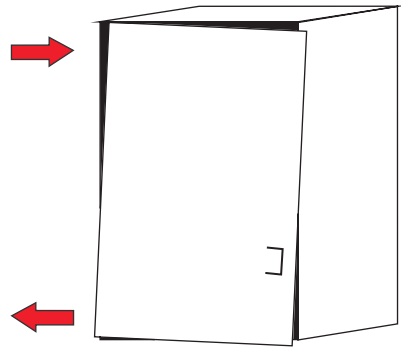
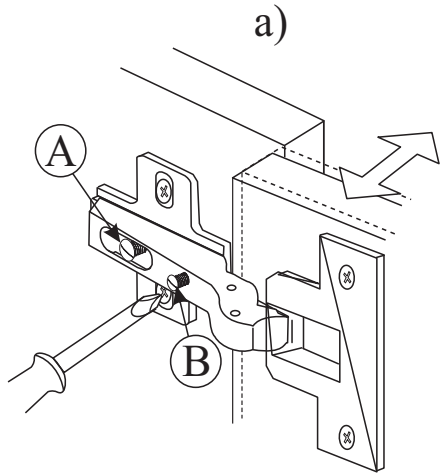
STEP 9



STEP 10

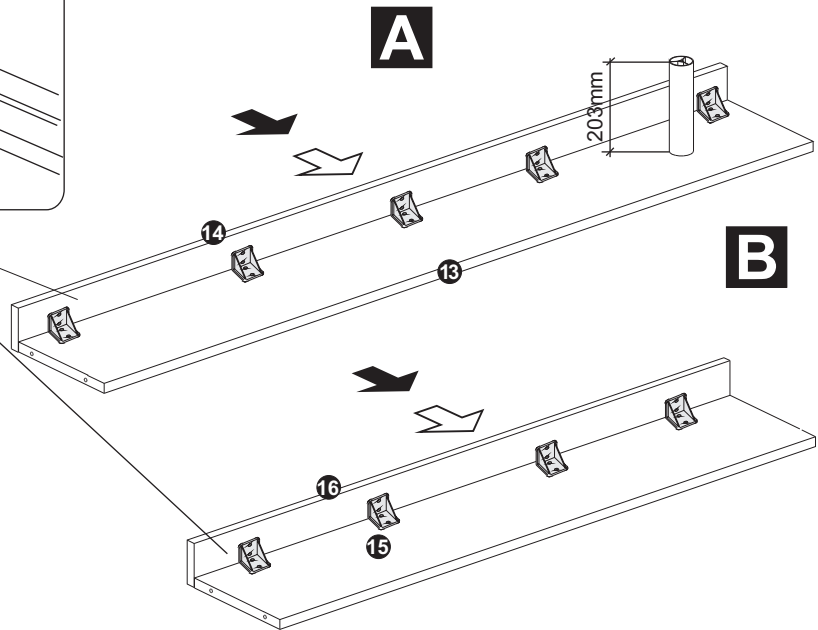
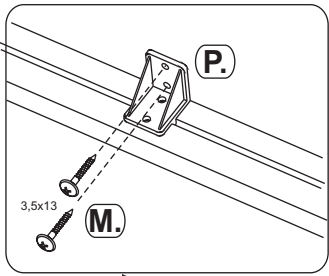


STEP 11

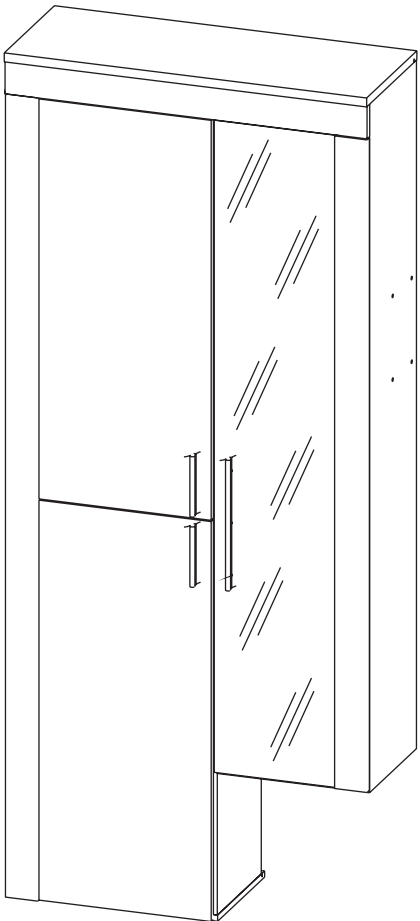


STEP 12

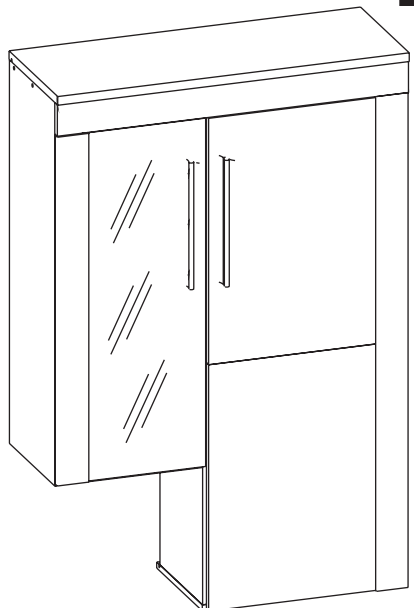
18x
3,5x13mm
M.
SCREW



(C)

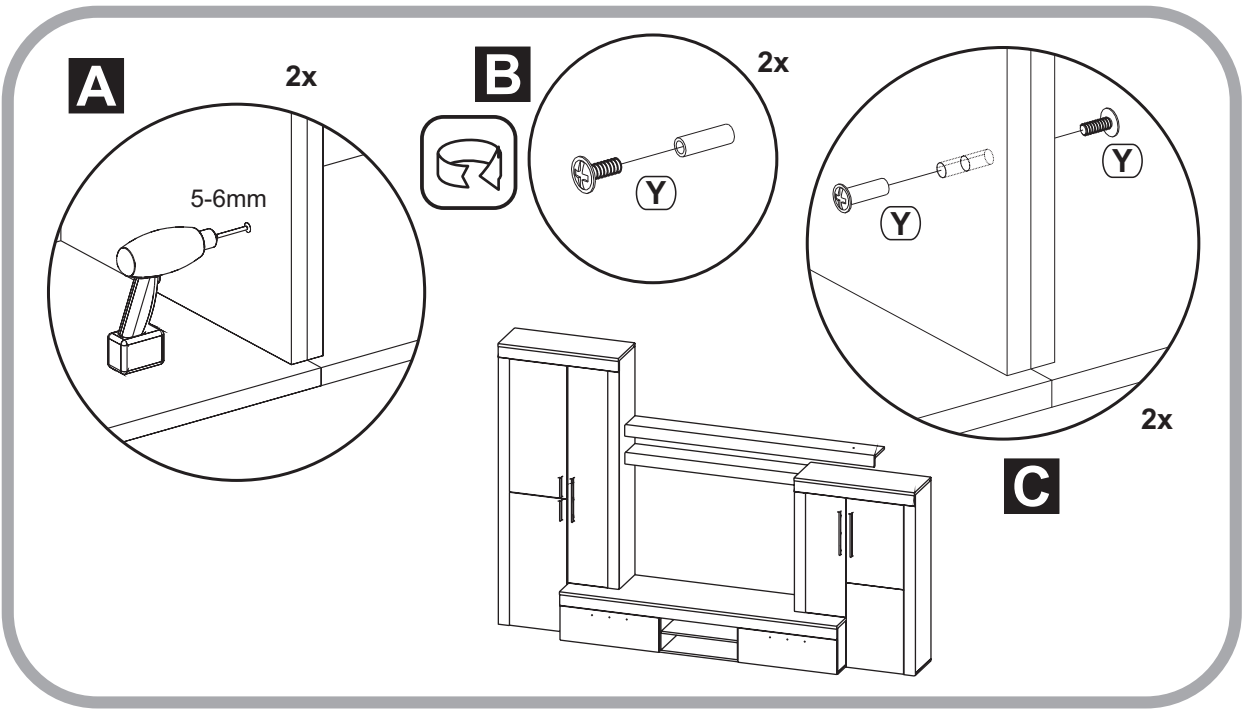
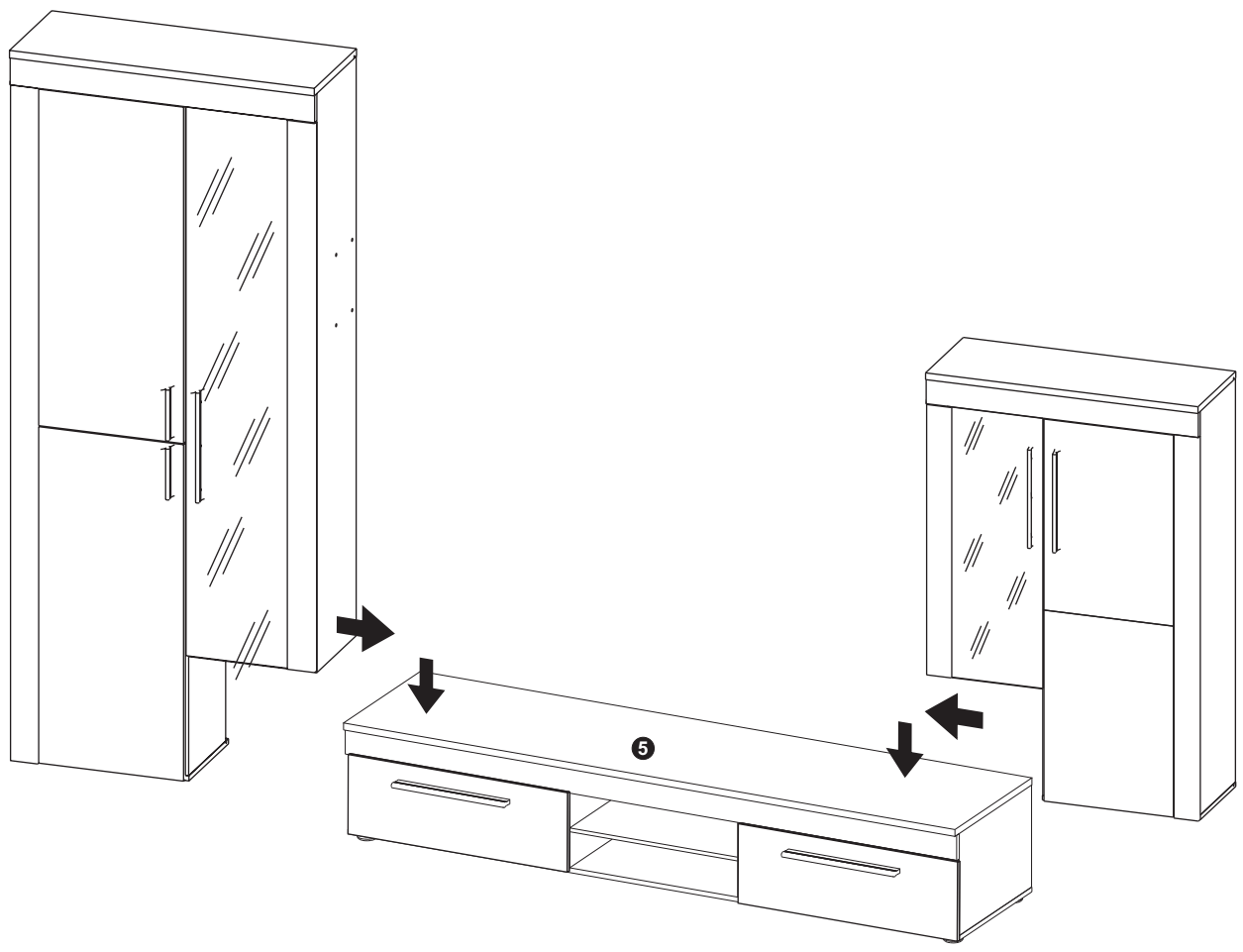


(D)

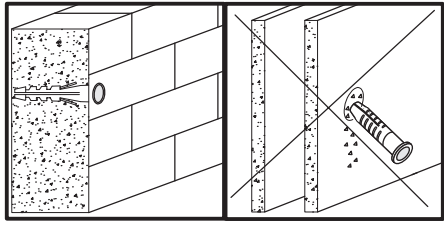





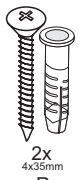
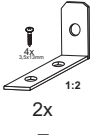

STEP 13

2x
Y
CONCATENATION



STEP 14

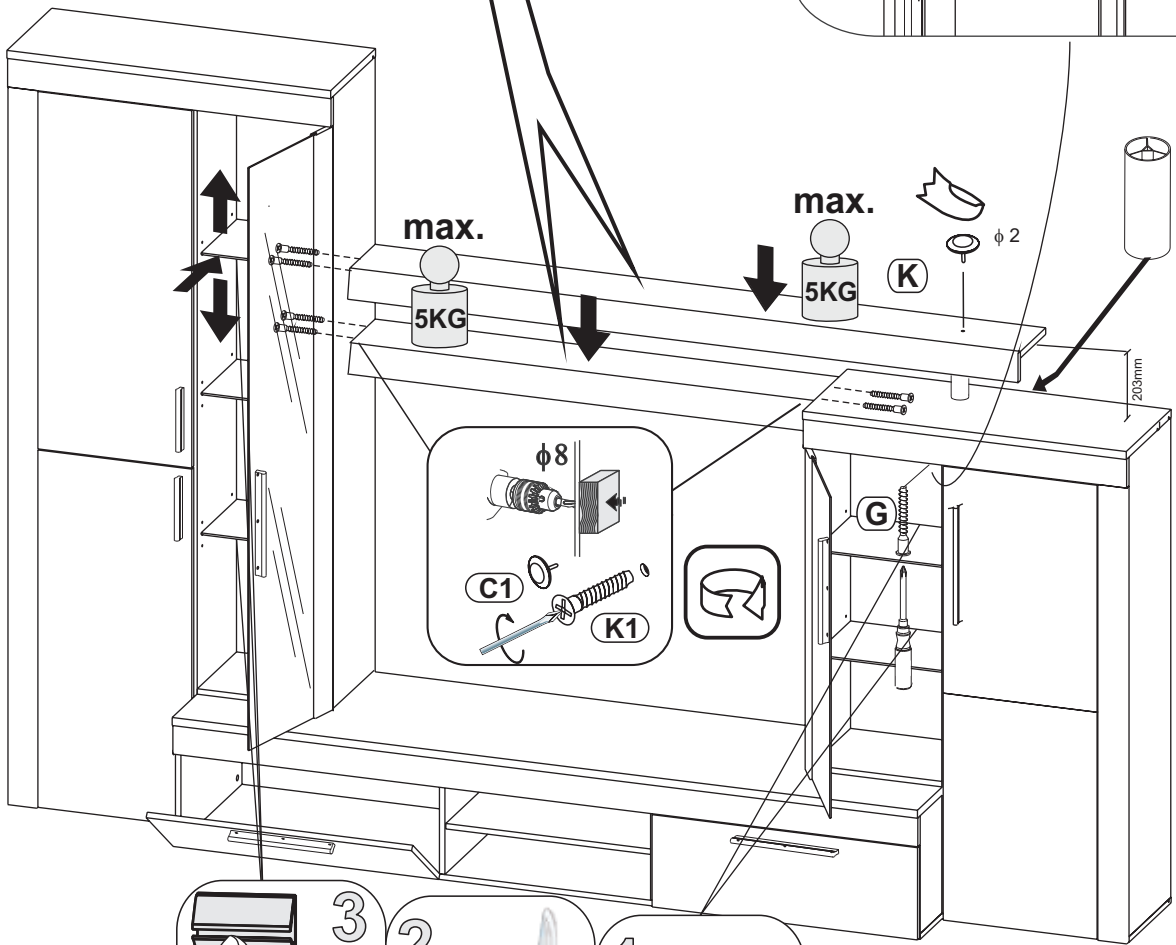
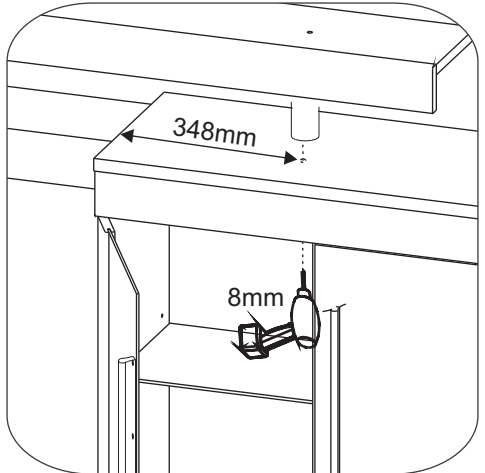


- 
 1x
 Q
 LED LIGHTS
- 
 5x
 K5
 ADHESIVE
 CAM COVER
- 
 7x
 7x50mm
 G
 SCREW
- 
 2x
 4x35mm
 R
 PLASTIC
 DOWEL
- 
 2x
 1:2
 T
 ANGLE
- 
 8x
 K
 COVER
 IS

3

2 "use drill f8mm"

4



3

2

1

K5

Option LED