

ASSEMBLY INSTRUCTION
MODEL : TG9062CS
DESCRIPTION : ISABELLA CHEST

Read instruction carefully.

Be sure you have all parts before you start assembling (See Hardware Parts List). To avoid scratching, lay all wood parts on a clean soft area, such as carpet or rugs.

NO	PARTS LIST	QTY
A.	CHEST	1 PC
B.	CHEST LEG	4 PCS
C.	LEG SUPPORT BAR (PRE-FIXED)	2 PCS

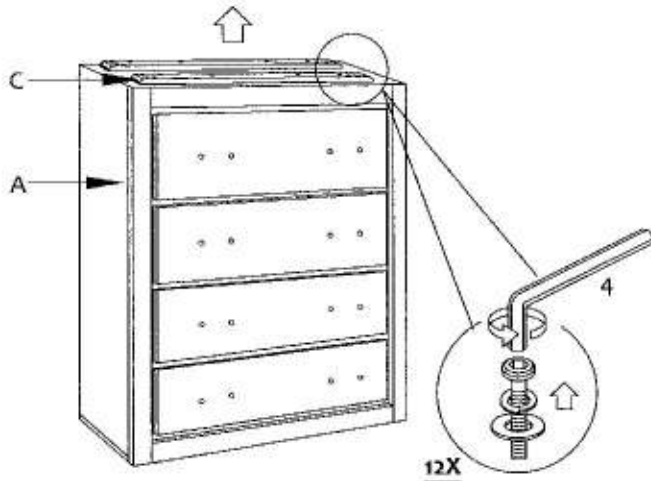
NO	HARDWARE LIST	QTY
1.	JCBB BOLT M8 X 50MM	8 PCS
2.	SPRING WASHER 5/16"	8 PCS
3.	FLAT WASHER 5/16"	8 PCS
4.	ALLEN KEY M5	1 PCS



COMPLETED CHEST ASSEMBLY

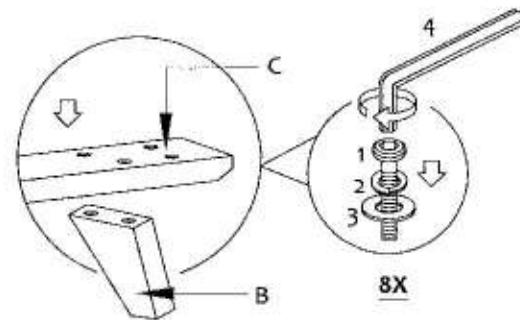
STEP 1

Remove Leg Support Bar before assembly Chest by using Allen Key (4). Please re-used the hardware at **STEP 3**



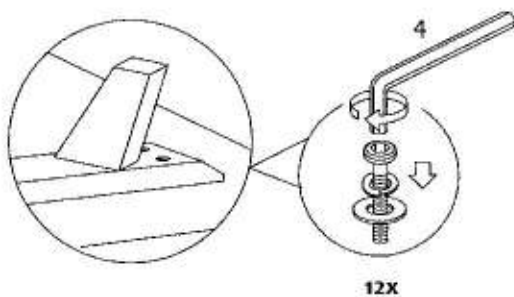
STEP 2

Attached the Chest Leg (B) to the Leg Support Bar (C). Insert JCBB Bolt (1), Flat Washer (3) and Spring Washer (2) to the holes and tighten using Allen Key (4).



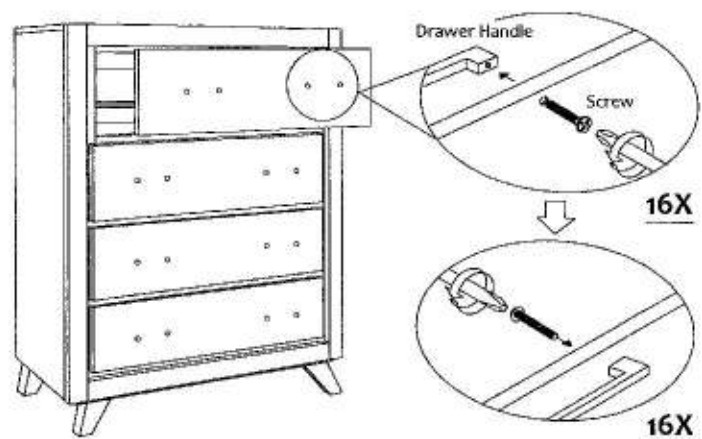
STEP 3

Please re-used the hardware at **STEP 1** to assemble the Chest Leg to the Chest.



STEP 4

Loosen the screw of drawer handle as pre-fixed onto the drawer front (INSIDE) by using Screwdriver. Revert and position this handle onto the drawer front and tighten with the same screw.



Clean off dust with a soft cloth. Occasionally polish the wood parts by using a good furniture polish (follow the instructions on the container). Do not use commercial waxes or glass cleaner. Do not leave liquids on the item. Avoid exposing to direct sunlight.

MADE IN MALAYSIA

ASSEMBLY INSTRUCTION
MODEL : TG9062NS
DESCRIPTION : ISABELLA BEDSIDE TABLE

Read instruction carefully.

Be sure you have all parts before you start assembling (See Hardware Parts List). To avoid scratching, lay all wood parts on a clean soft area, such as carpet or rugs.

NO	PARTS LIST	QTY
A.	BEDSIDE TABLE	1 PC
B.	BEDSIDE TABLE LEG	4 PCS
C.	LEG SUPPORT BAR (PRE-FIXED)	2 PCS

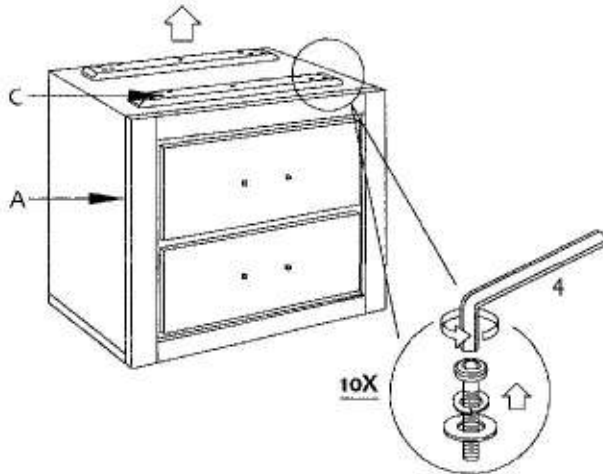
NO	HARDWARE LIST	QTY
1.	JCBB BOLT M8 X 50MM	8 PCS
2.	SPRING WASHER 5/16"	8 PCS
3.	FLAT WASHER 5/16"	8 PCS
4.	ALLEN KEY M5	1 PCS



COMPLETED BEDSIDE TABLE ASSEMBLY

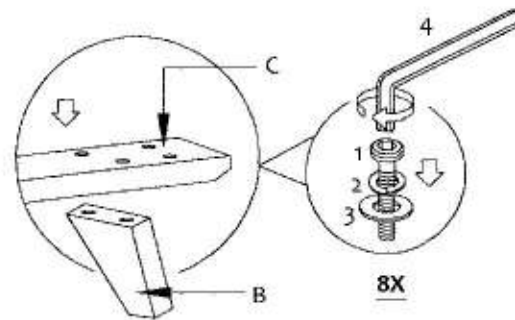
STEP 1

Remove Leg Support Bar before assembly Bedside Table Leg by using Allen Key (4). Please re-used the hardware at **STEP 3**



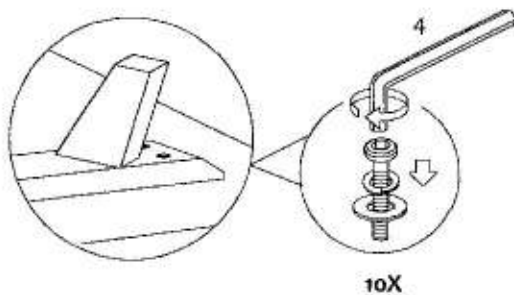
STEP 2

Attached the Bedside Table Leg (B) to the Leg Support Bar (C). Insert JCBB Bolt (1), Flat Washer (3) and Spring Washer (2) to the holes and tighten using Allen Key (4).



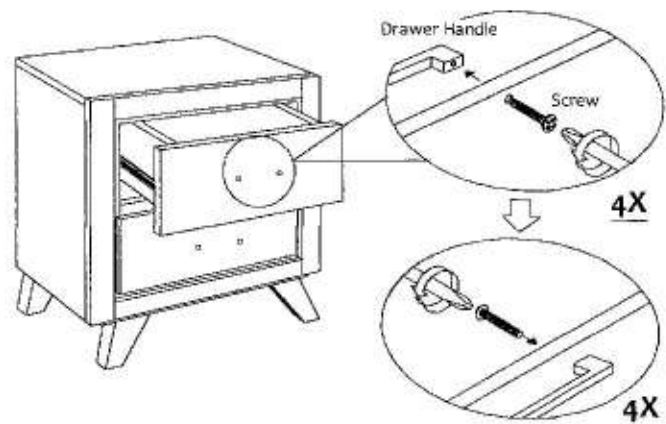
STEP 3

Please re-used the hardware at **STEP 1** to assemble the Bedside Table Leg to the Bedside Table.



STEP 4

Loosen the screw of drawer handle as pre-fixed onto the drawer front (INSIDE) by using Screwdriver. Revert and position this handle onto the drawer front and tighten with the same screw.



Clean off dust with a soft cloth. Occasionally polish the wood parts by using a good furniture polish (follow the instructions on the container). Do not use commercial waxes or glass cleaner. Do not leave liquids on the item. Avoid exposing to direct sunlight.

MADE IN MALAYSIA