









**MODEL: ISABELLA QUEEN BED (15 PCS LVL SLATS)**

Read this instruction carefully. See hardware and furniture part list for guidance. Be sure all part is complete, before you assemble. Place all wooden furniture part on a clean and flat soft surface to prevent from being scratched. Follow the figure to start assembling.


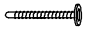







**CAUTION:**

1. Do not FULLY-TIGHTEN the nut or bolt untill all nut or nut bolt is ready to assembled.
2. Do not OVER-TIGHTEN the nut or nut bolt to avoid causing damages to the thread.
3. Keep all hardware part out of reach of children.

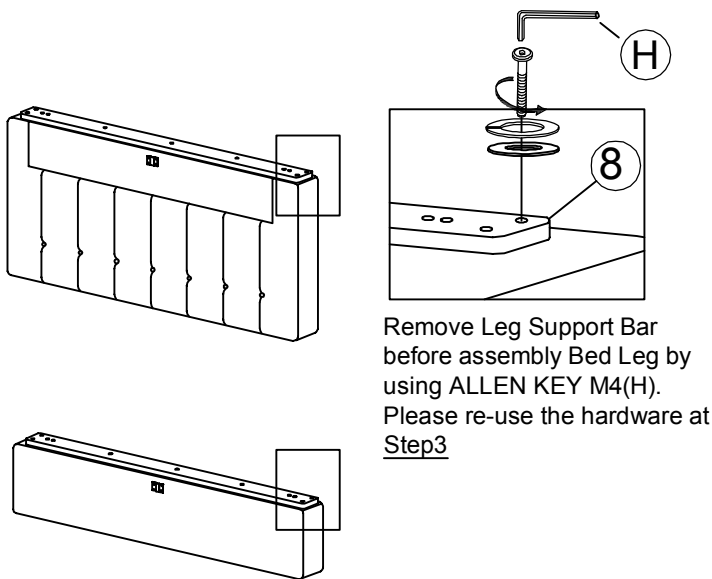
**PART LIST - PAGE 1**

NO	DESCRIPTION	QTY
1	HEADBOARD 	1 PC
2	FOOTBOARD 	1 PC
3	CENTER RAIL 	1 PC
4	SIDE RAIL 	2 PCS
5	SUPPORT LEG 	3 PCS
6	SLAT 	15 PCS
7	BED LEG 	4 PCS
8	LEG SUPPORT BAR (PRE-FIXED) 	2 PCS

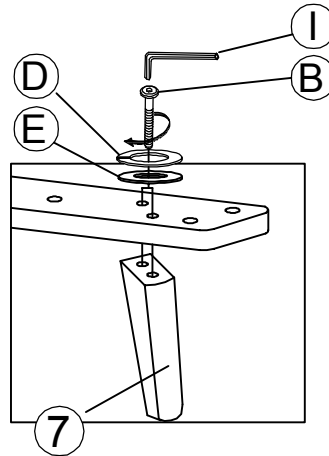
**HARDWARE LIST**

NO	DESCRIPTION	QTY
A	JCBB M8 X 40MM 	8PCS
B	JCBB M8 X 50MM 	8PCS
C	JCBC M6 X 50MM 	9PCS
D	SPRING WASHER 5/16" 	25PCS
E	FLAT WASHER 5/16" 	16PCS
F	FLAT WASHER 1/4" 	9PCS
G	CSK M4 X 30MM 	39PCS
H	ALLEN KEY M4 	1 PC
I	ALLEN KEY M5 	1 PC

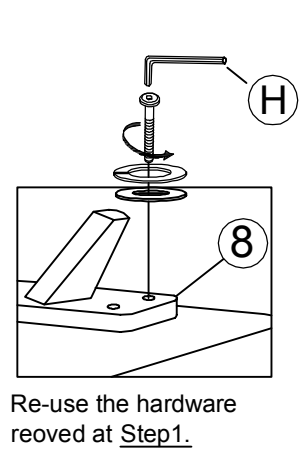
**STEP 1**



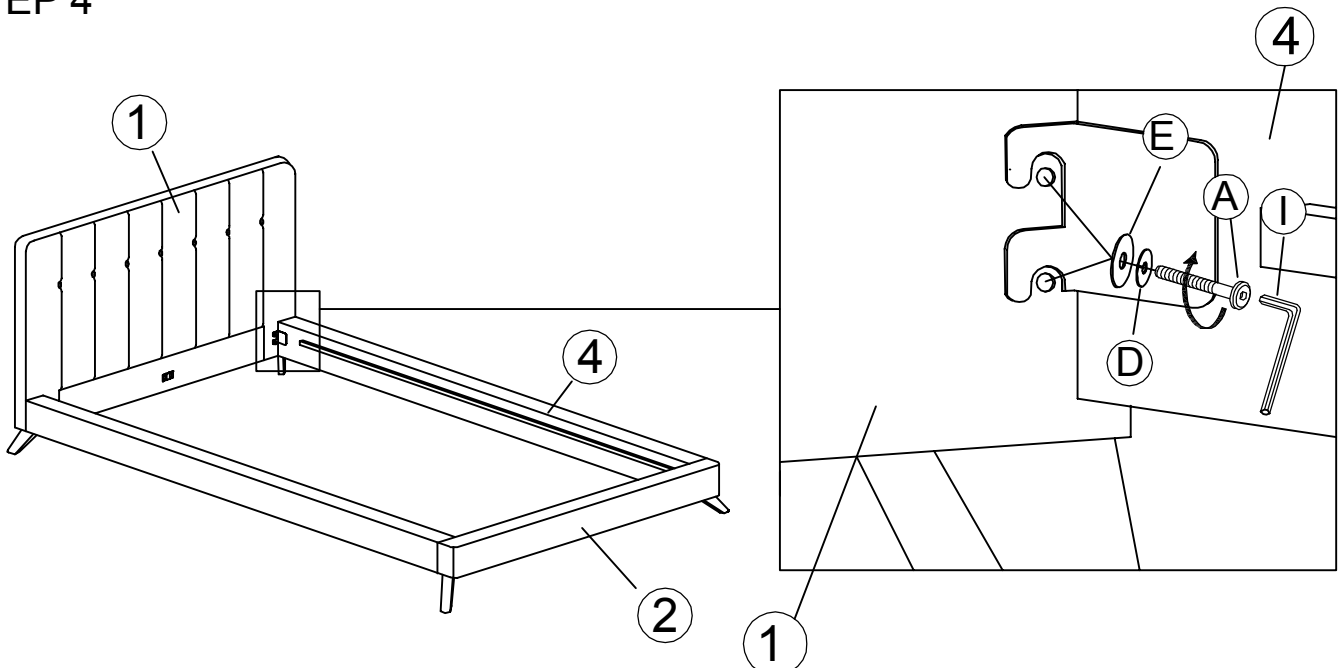
**STEP 2**



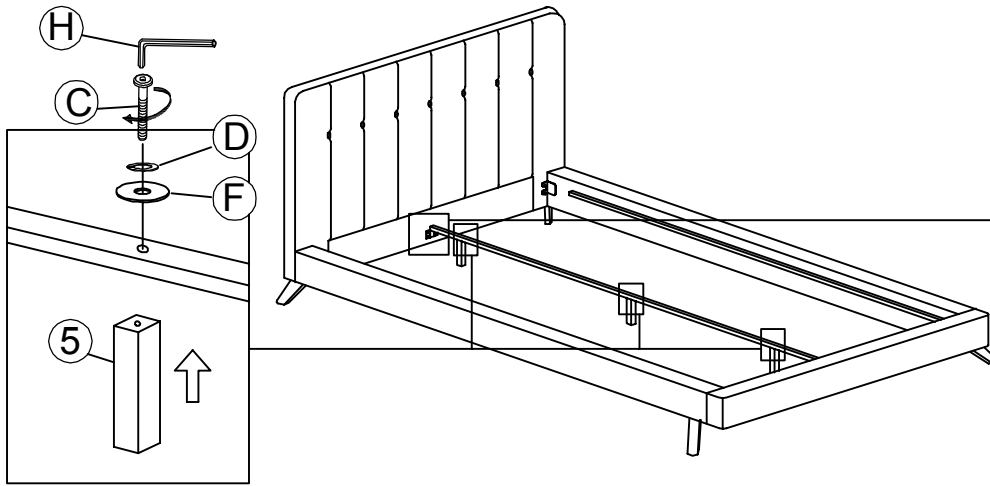
**STEP 3**



**STEP 4**

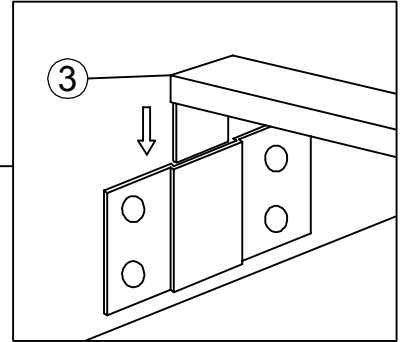


STEP 5

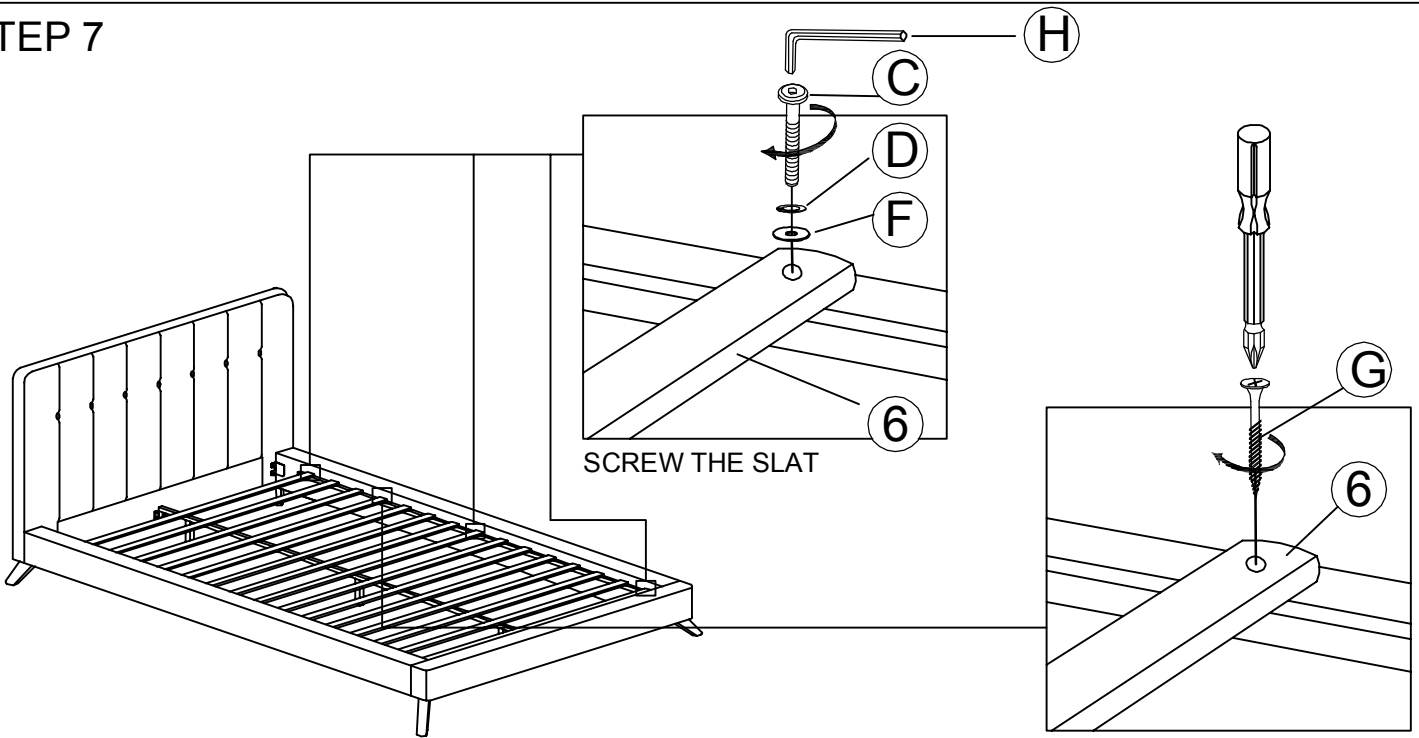


ATTACH SUPPORT LEGS TO CENTRE SUPPORT RAIL

STEP 6



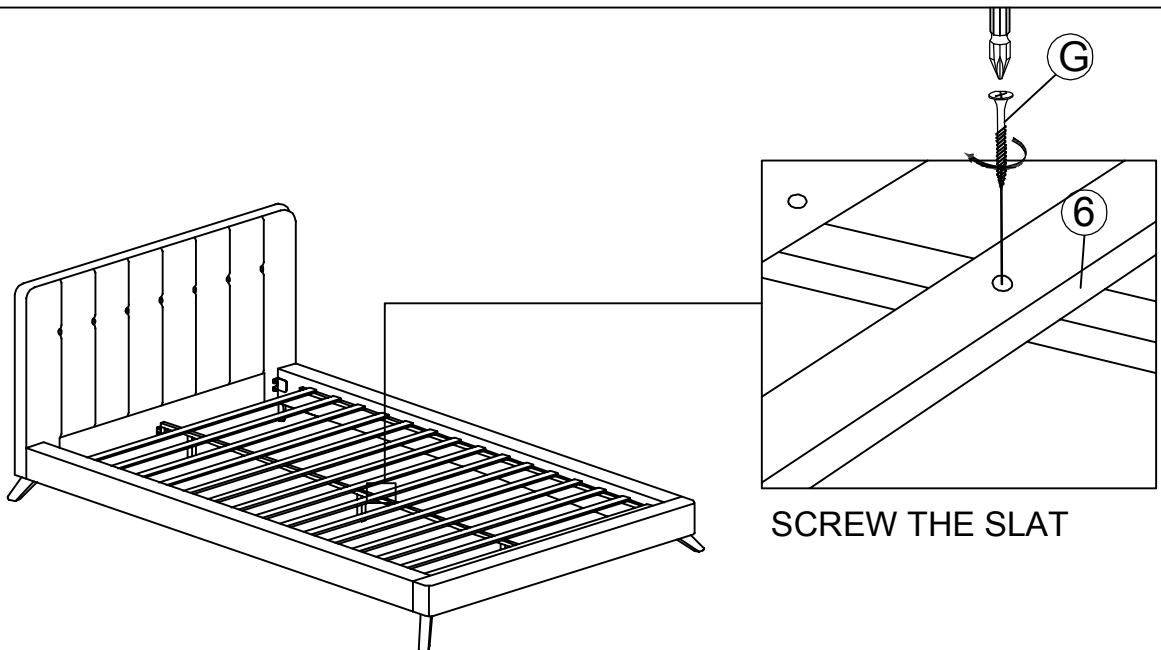
STEP 7



SCREW THE SLAT

SCREW THE SLAT

STEP 8



SCREW THE SLAT