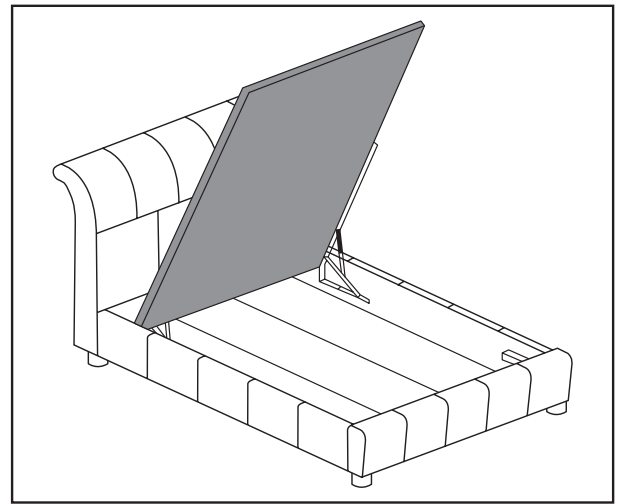
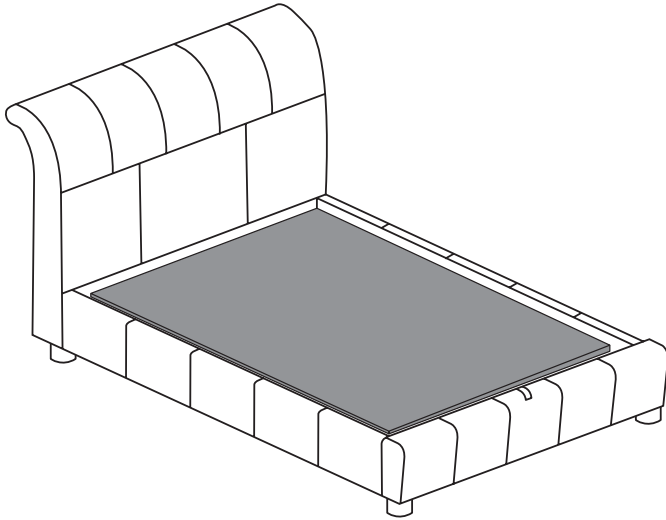


LIFT UP BED

Assembly Instructions



HELPFUL ADVICE PRIOR TO ASSEMBLING THE OTTOMAN BEDS

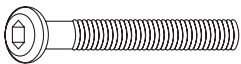
1. Owing to the size and the weight of the ottoman, we recommend that it is assembled on a flat surface in the room it is intended for and by two adults.
2. The product you have purchased will give you many years of service if you follow the guidelines for its safe assembly, periodic maintenance and cleaning. Special attention should be paid to moving parts such as hydraulic cylinders, which may need cleaning with a paper towel or similar material from time to time.
3. Please do not use any tools other than those provided or recommended in the assembly instructions. Use of a power tool will invalidate any claim and could make the product unsafe.
4. Please do not discard any packaging until you have checked that you have all the parts and fixings. Discard any excess fixings and keep all fittings out of reach of children.
5. The lift up action may be a little stiff at first but will ease after usage.
6. Assemble all parts loosely until advised to tighten. Depending on usage, it may be necessary to tighten the fixing from time to time.
7. Once the bed is fully assembled and before lowering the metal frame (with mattress in position), please ensure that the side rails and metal frame are correctly aligned and DO NOT touch, as fabric or leather may be damaged.

WARNING

1. PLEASE ENSURE CHILDREN DO NOT PLAY IN THE STORAGE AREA OR TRY TO LIFT UP THE METAL FRAME.
2. ONCE ASSEMBLED, PUT MATTRESS ON FRAME BEFORE PUSHING IT DOWN AND ONLY LIFT UP OR PUSH DOWN THE METAL FRAME WITH MATTRESS ON TOP.
3. PLEASE DO NOT STAND ON THE STORAGE BASE BOARDS AT ANY TIME.

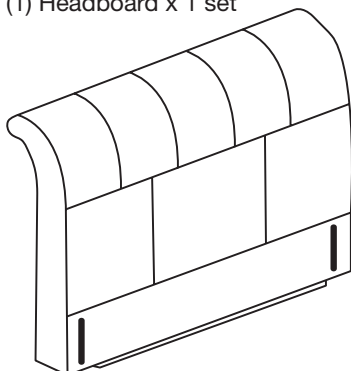
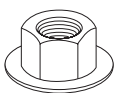
HARDWARE LIST

a) Black Bolt M6 x 70mm x 8pcs

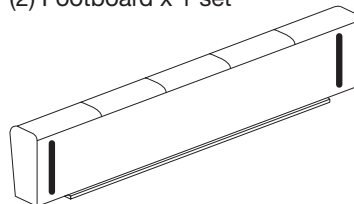


(1) Headboard x 1 set

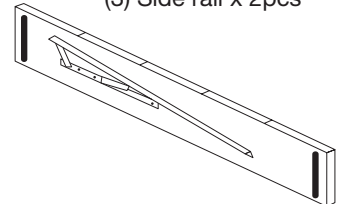
b) Slange nut x 8pcs



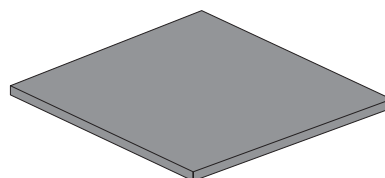
(2) Footboard x 1 set



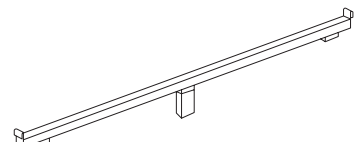
(3) Side rail x 2pcs



(4) Base Frame x 1 set

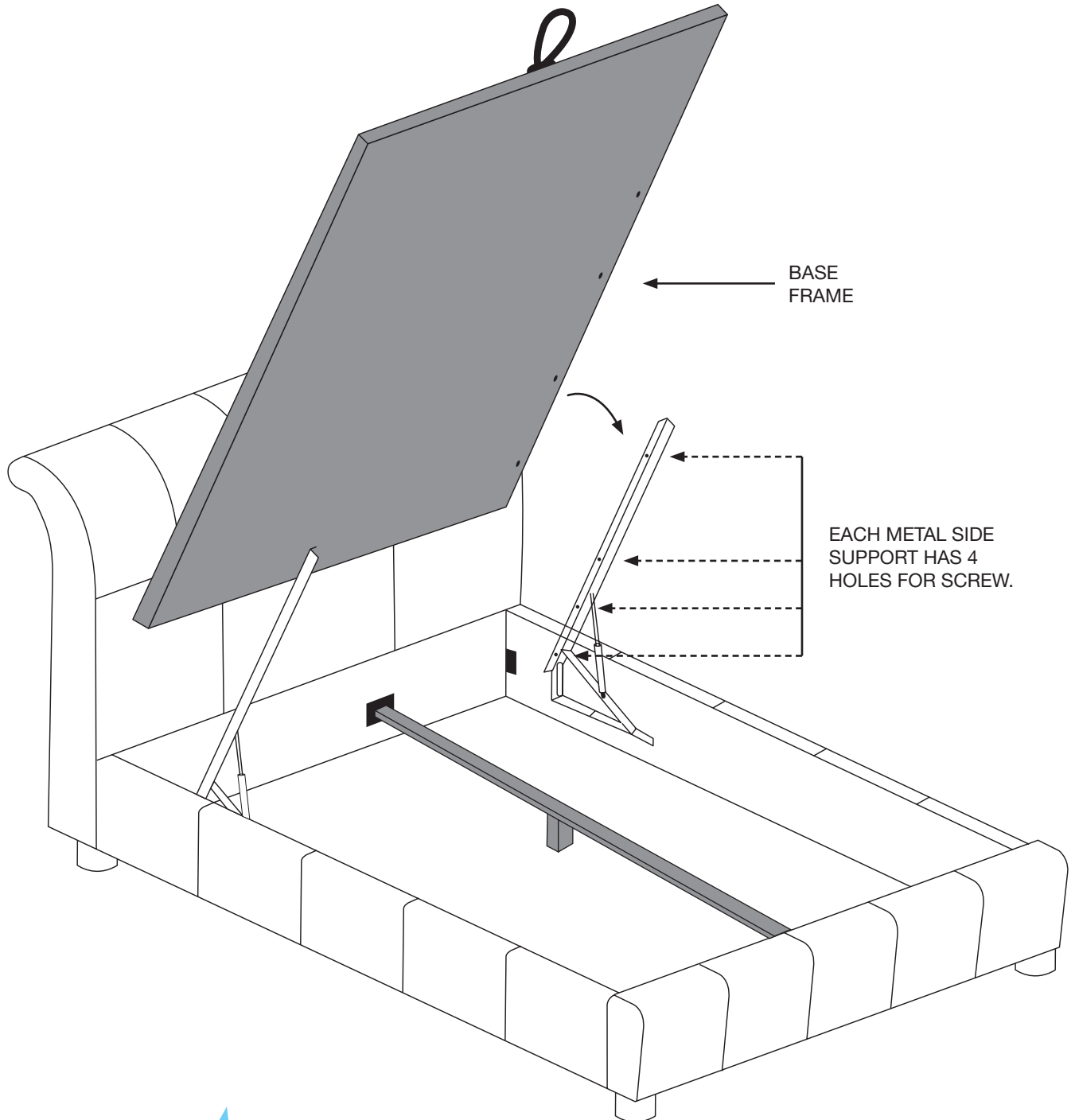


(5) Wooden horizontal support x 1pc



ATTACHING METAL FRAME TO OTTOMAN

CONNECT THE BASE TO THE METAL SIDE SUPPORT WITH THE BENT SALTS FACING UPWARDS.



TO AVOID MISALIGNMENT AND DAMAGING
THE BED BASE. OPEN AND CLOSE FROM
THE MIDDLE OF THE END BASE.