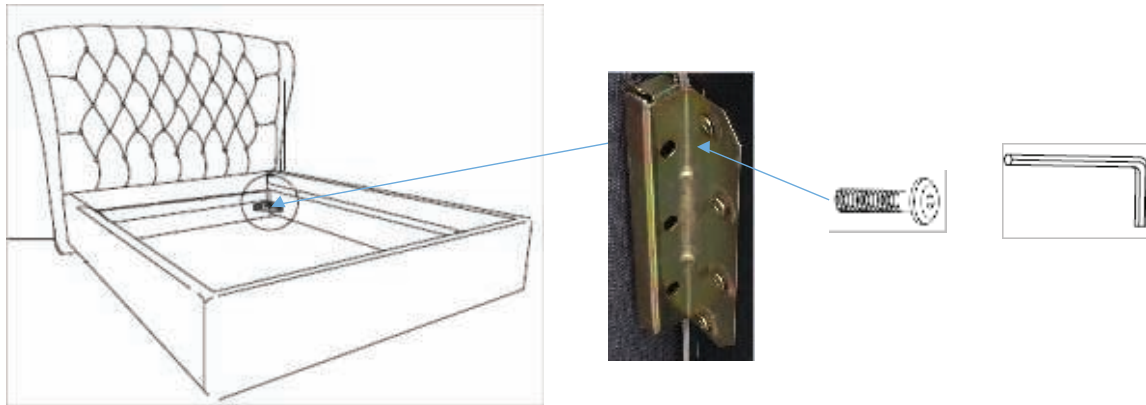


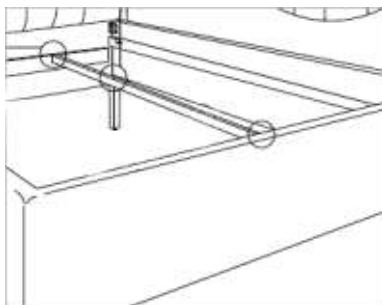
BED ASSEMBLY



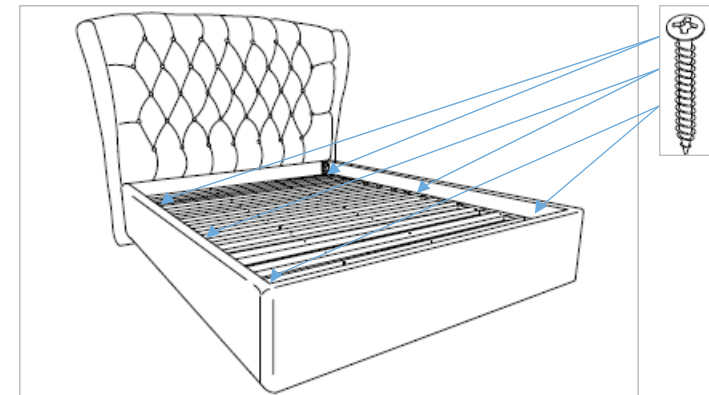
Step 1. Attach bed brackets in each corner by inserting 3 bolts in each bracket with Allen Key.
Total 12 bolts 10x10mm



Step 2. Attach middle support



Step 3. Attach slat base by inserting 6 screws at each end and middle section. Total 6 x 35mm



WARNING: DO NOT OVER TIGHTEN