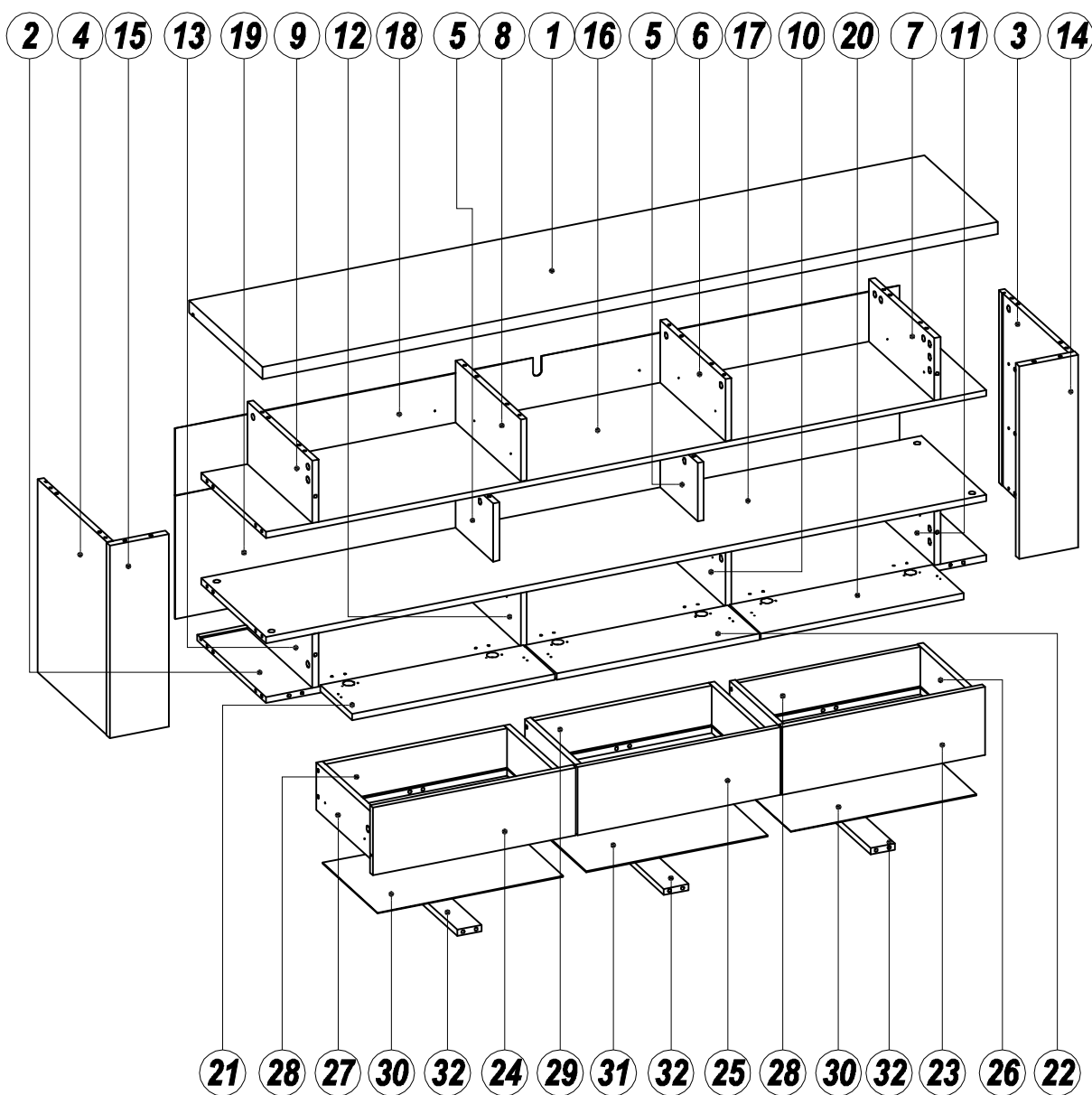
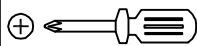
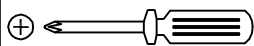
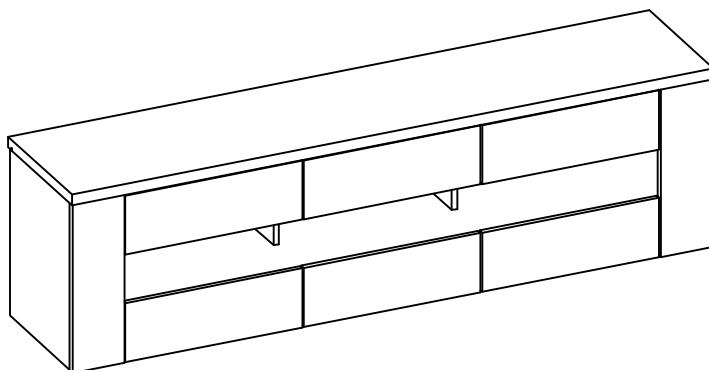
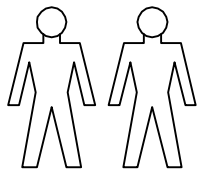
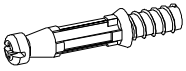


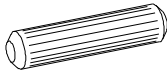

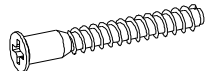
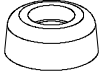
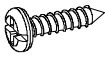
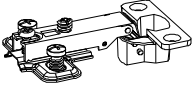
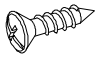
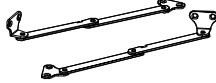
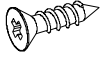
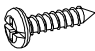

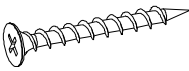
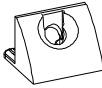
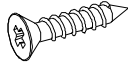
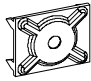
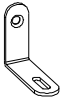
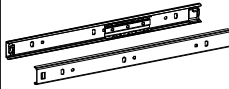

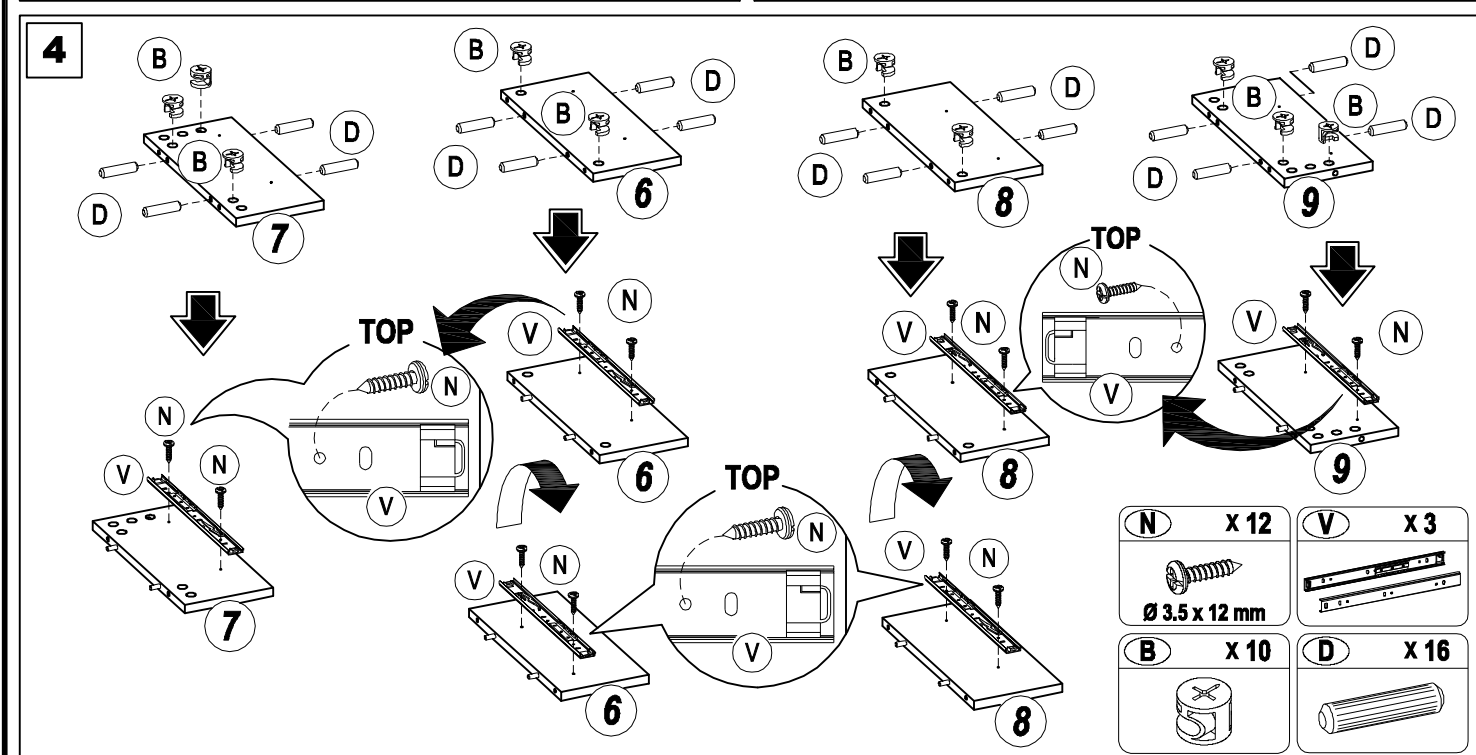
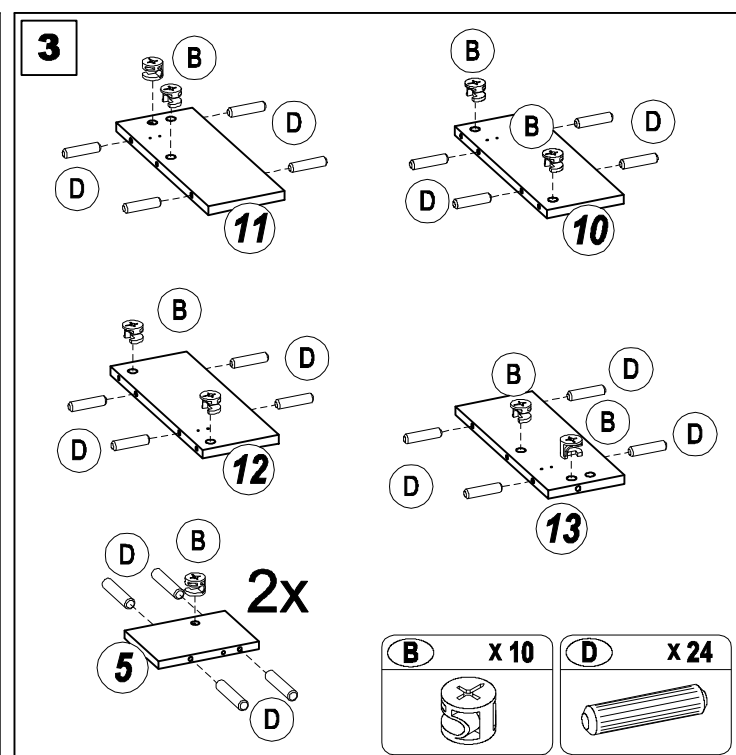
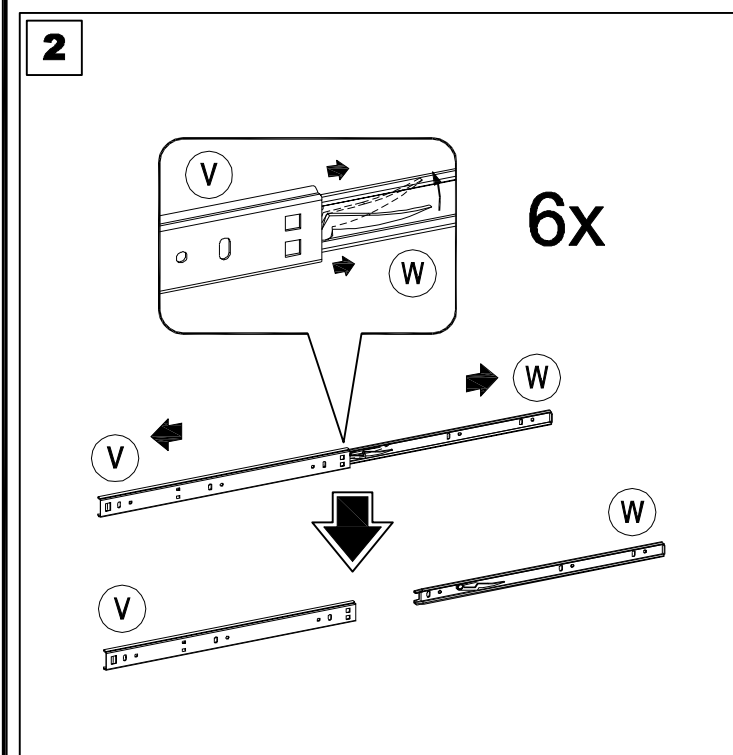
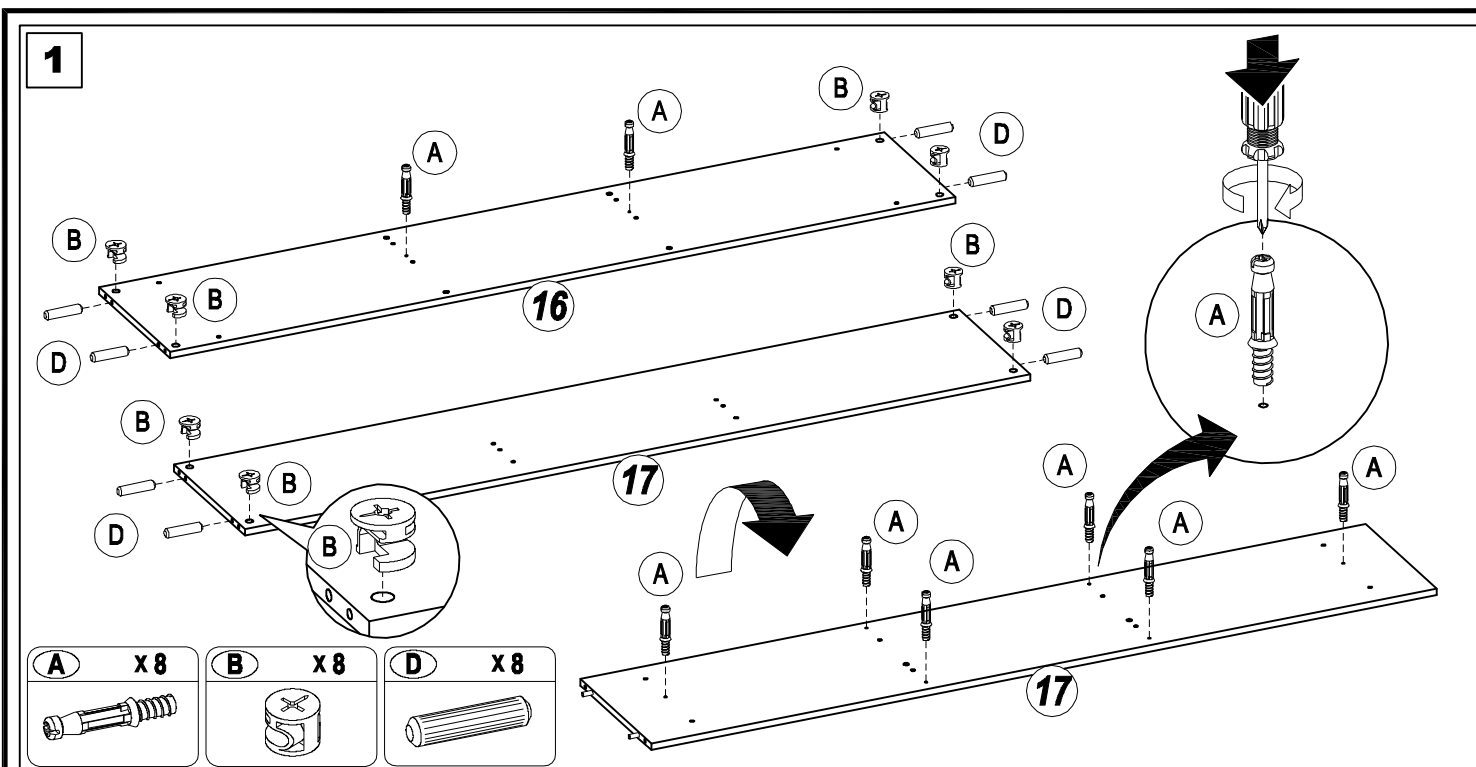


# LOGO 180 LVF

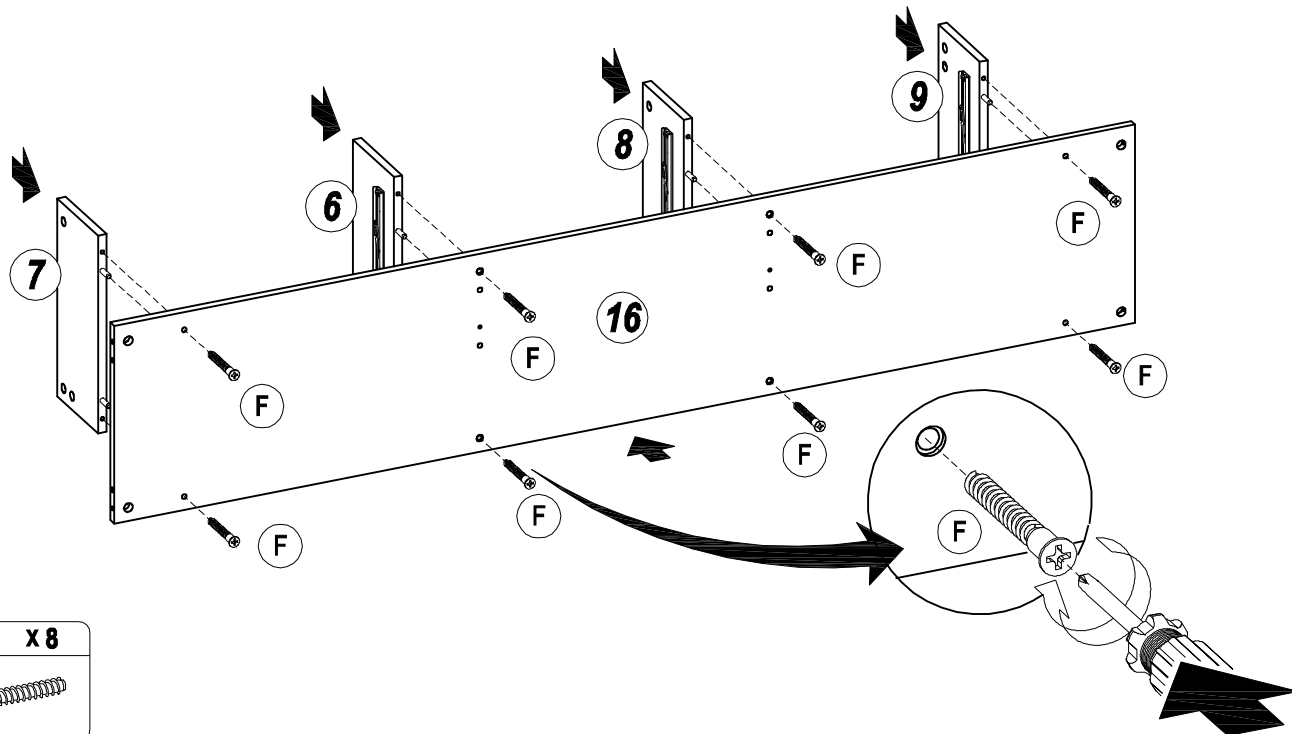


Imported By LV Furniture  
 Sold Exclusively To Harvey Norman

<b>A</b> x 48 	<b>B</b> x 48 	<b>C</b> x 20 	<b>D</b> x 90 	<b>E</b> x 4 	<b>F</b> x 16 
<b>G</b> x 8 	<b>H</b> x 8 Ø3.5 X 16 mm 	<b>J</b> x 6 	<b>K</b> x 12 Ø4 X 14 mm 	<b>L</b> x 3 	<b>M</b> x 24 Ø3.5 X 12 mm 
<b>N</b> x 32 Ø3.5 X 12 mm 	<b>P</b> x 11 Ø3 X 13 mm 	<b>Q</b> x 12 	<b>R</b> x 20 	<b>S</b> x 20 Ø3.5 x 19 mm 	<b>T</b> x 5 
<b>U</b> x 1 	<b>V</b> x 3 	<b>W</b> x 3 			

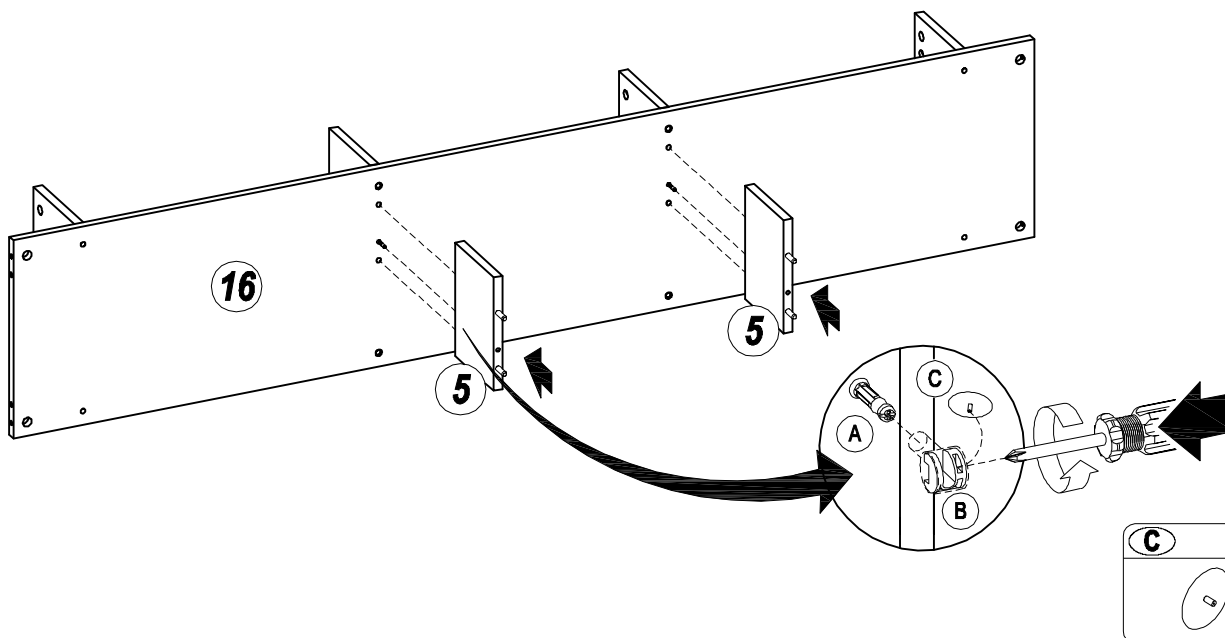


5



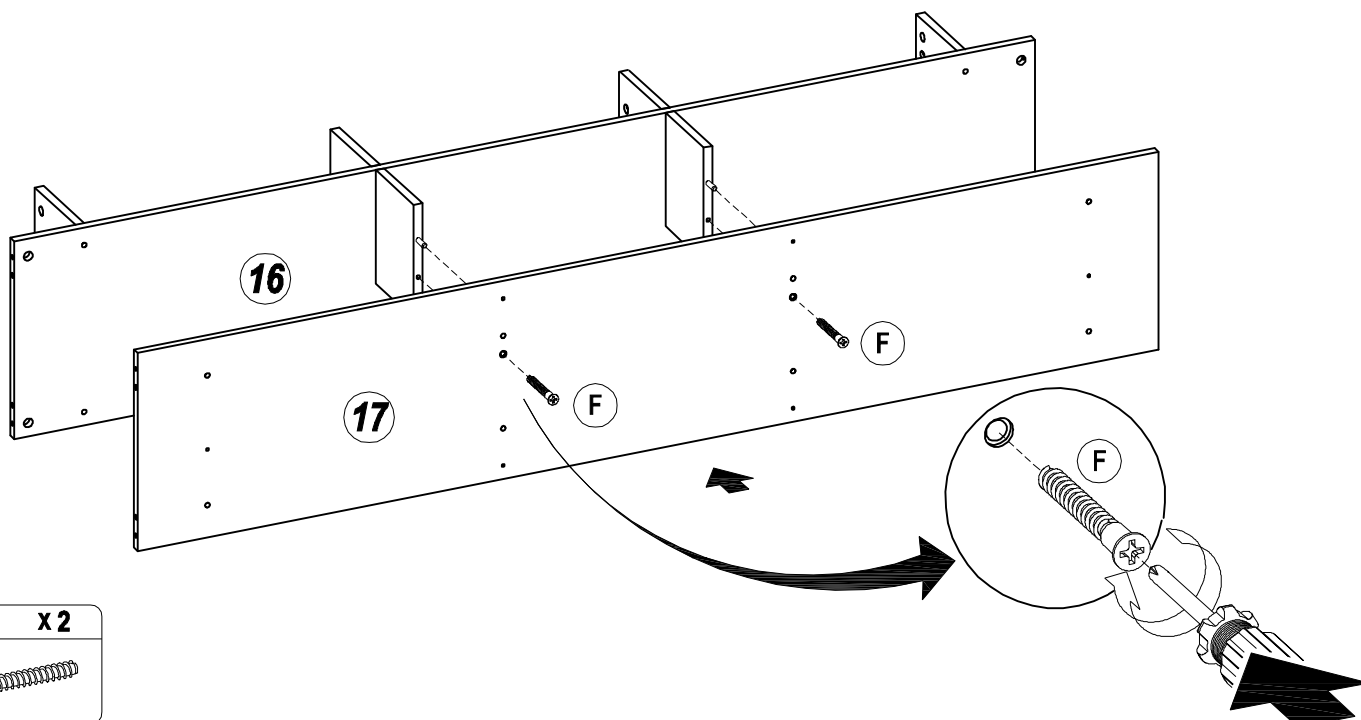
**F** X8

6



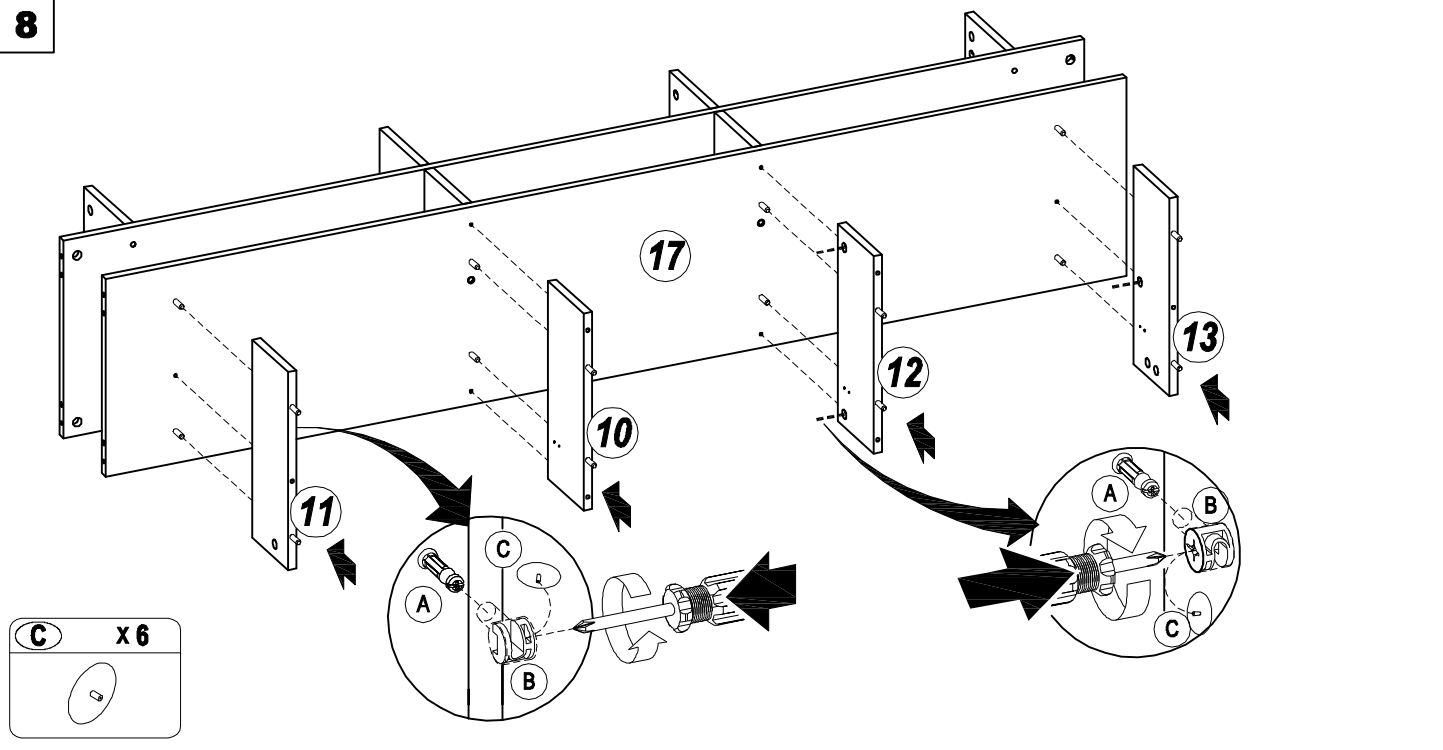
**C** X2

7



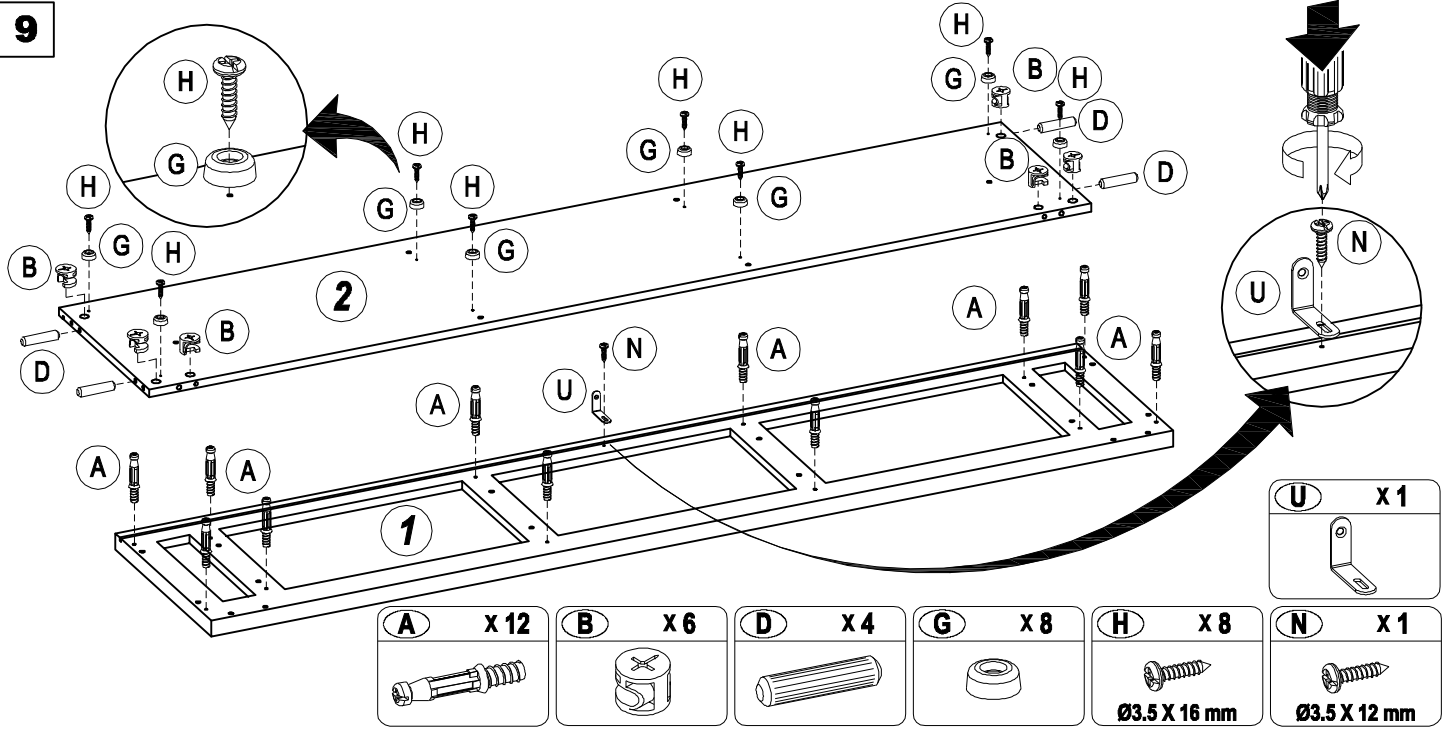
**F** X2

8



**C** x 6

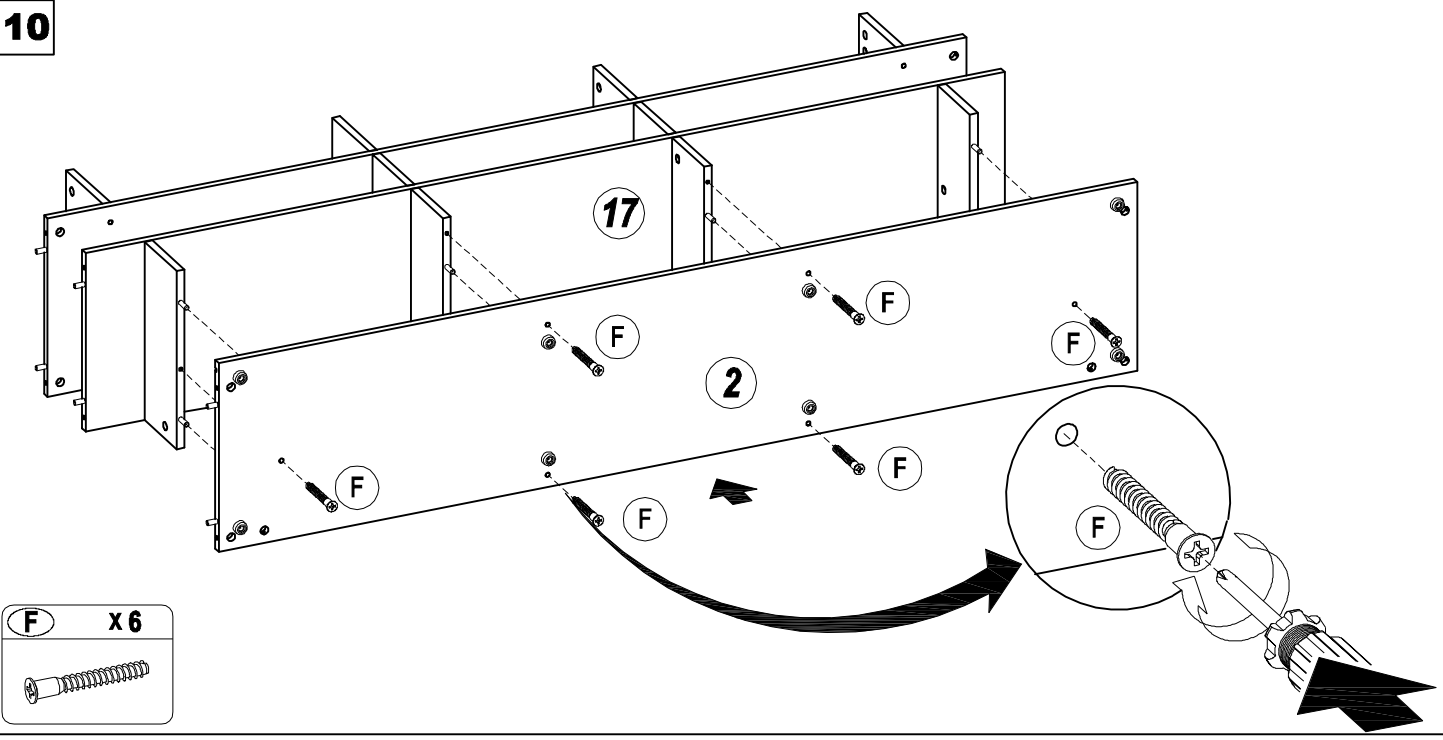
9



<b>A</b> x 12	<b>B</b> x 6	<b>D</b> x 4	<b>G</b> x 8	<b>H</b> x 8	<b>N</b> x 1
				Ø3.5 X 16 mm	Ø3.5 X 12 mm

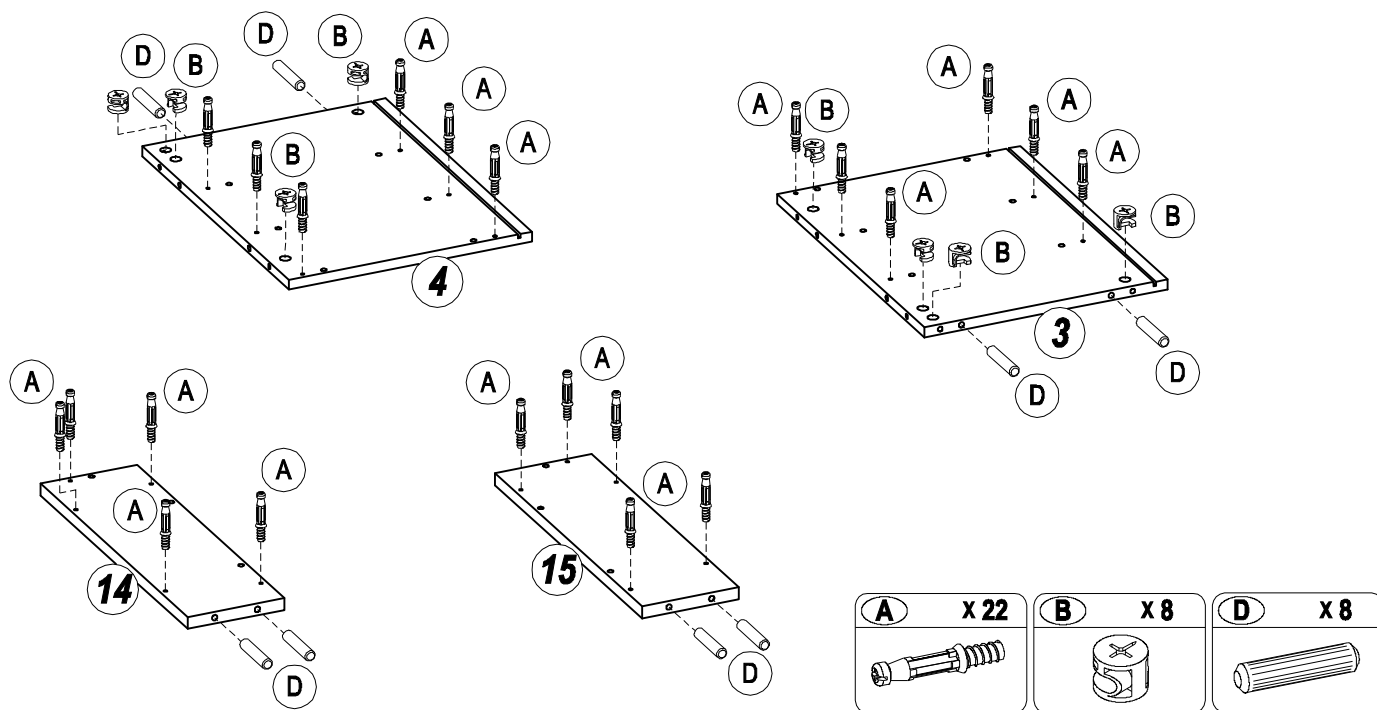
**U** x 1

10

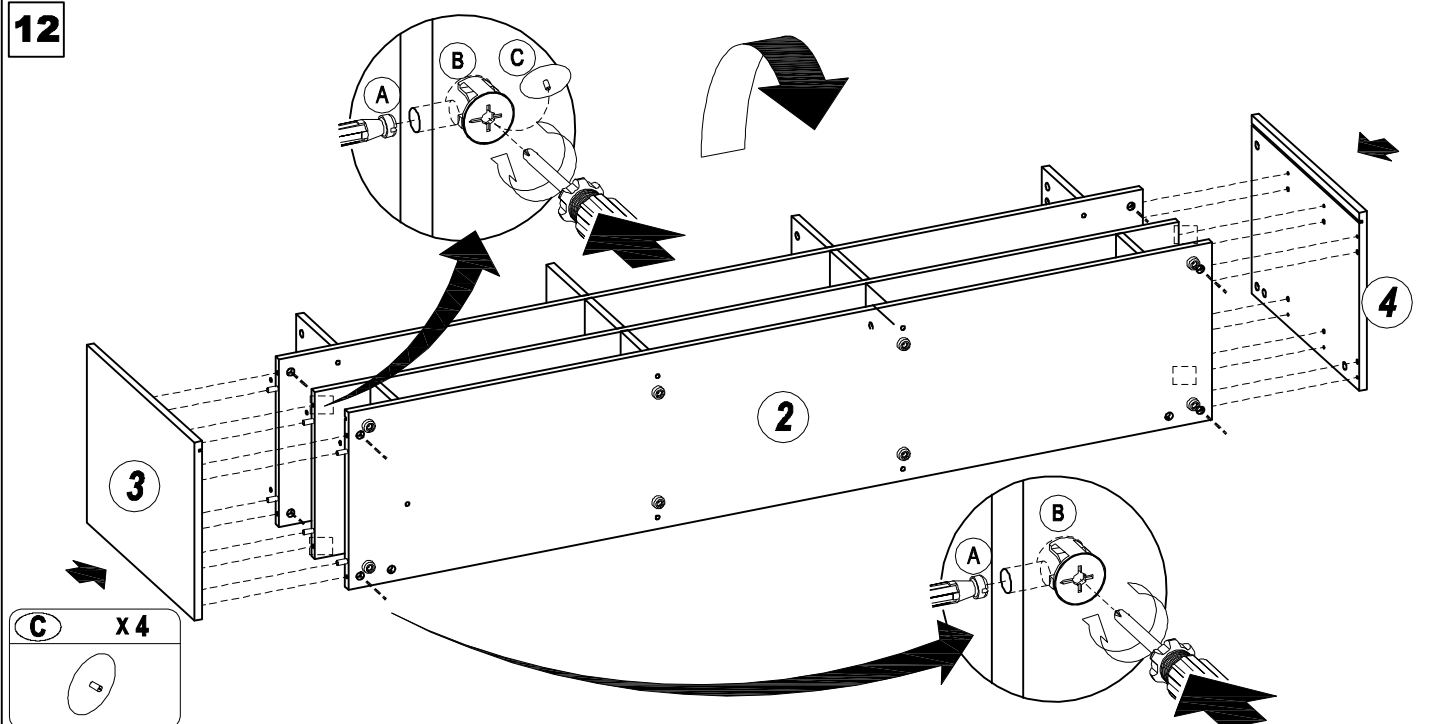


**F** x 6

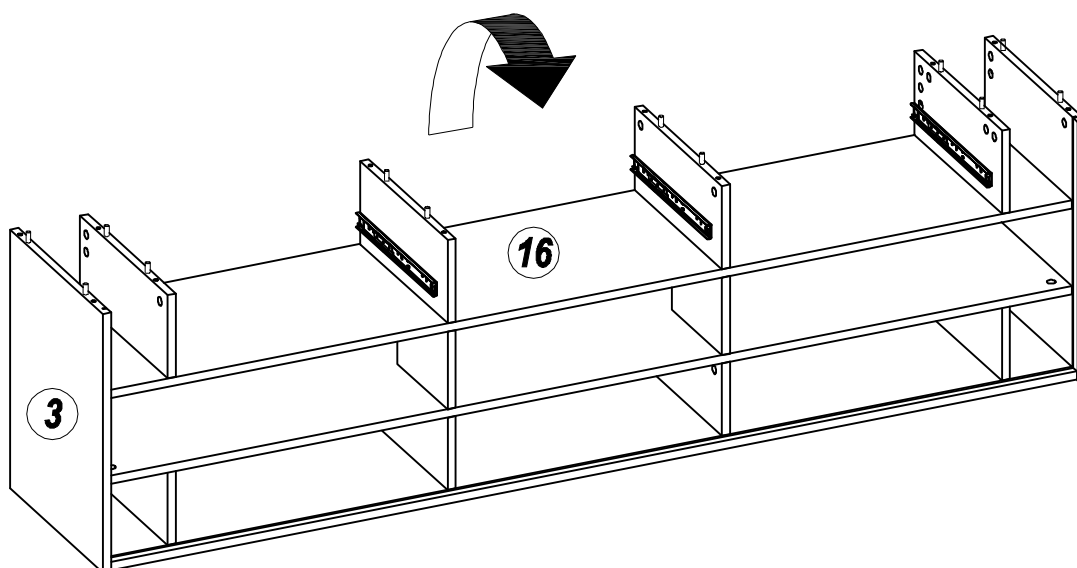
11





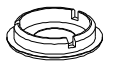
12

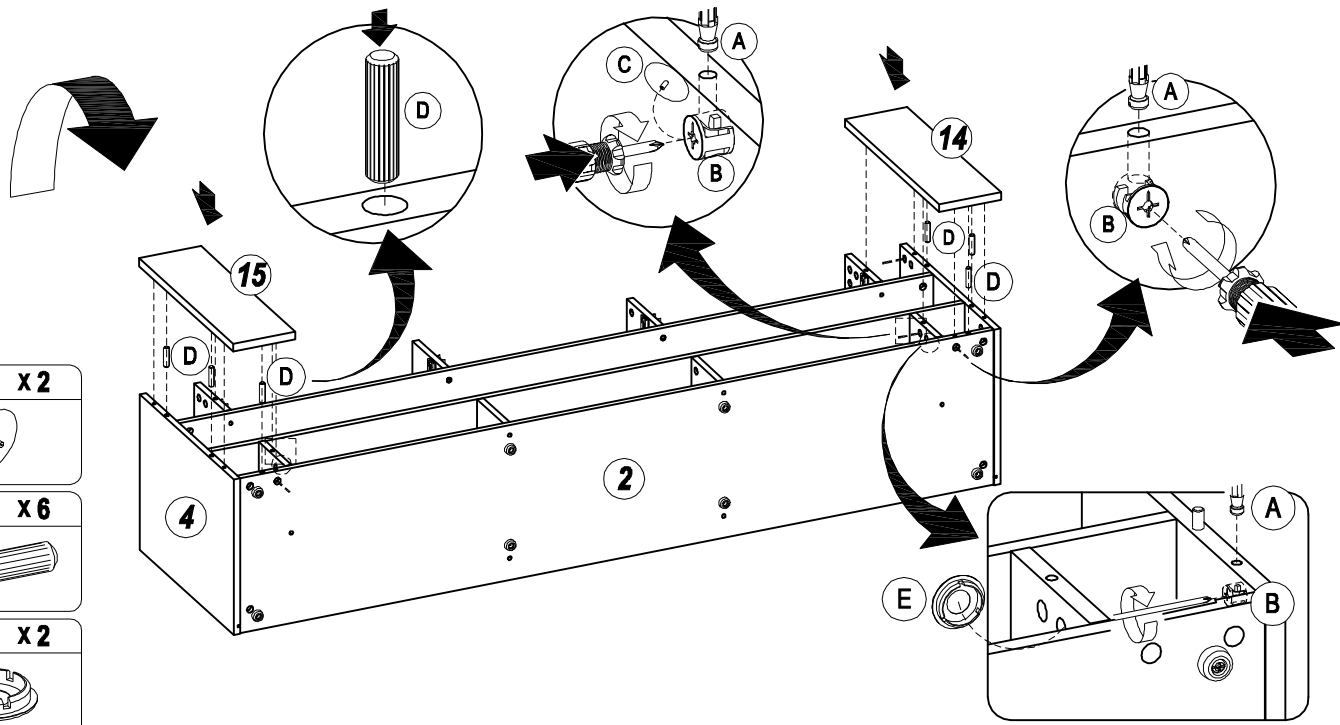


13

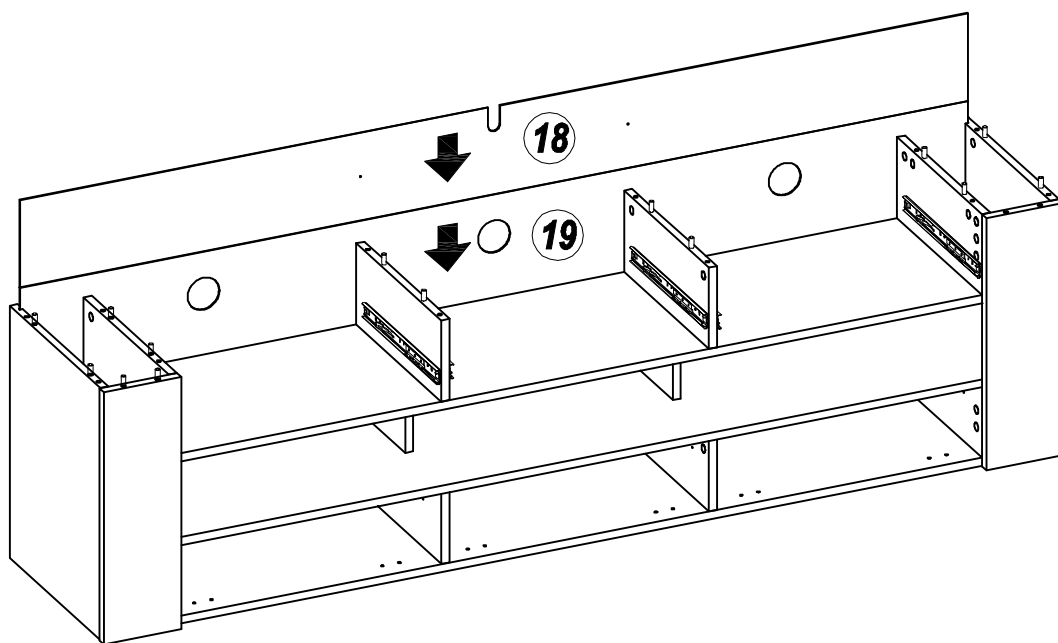


14

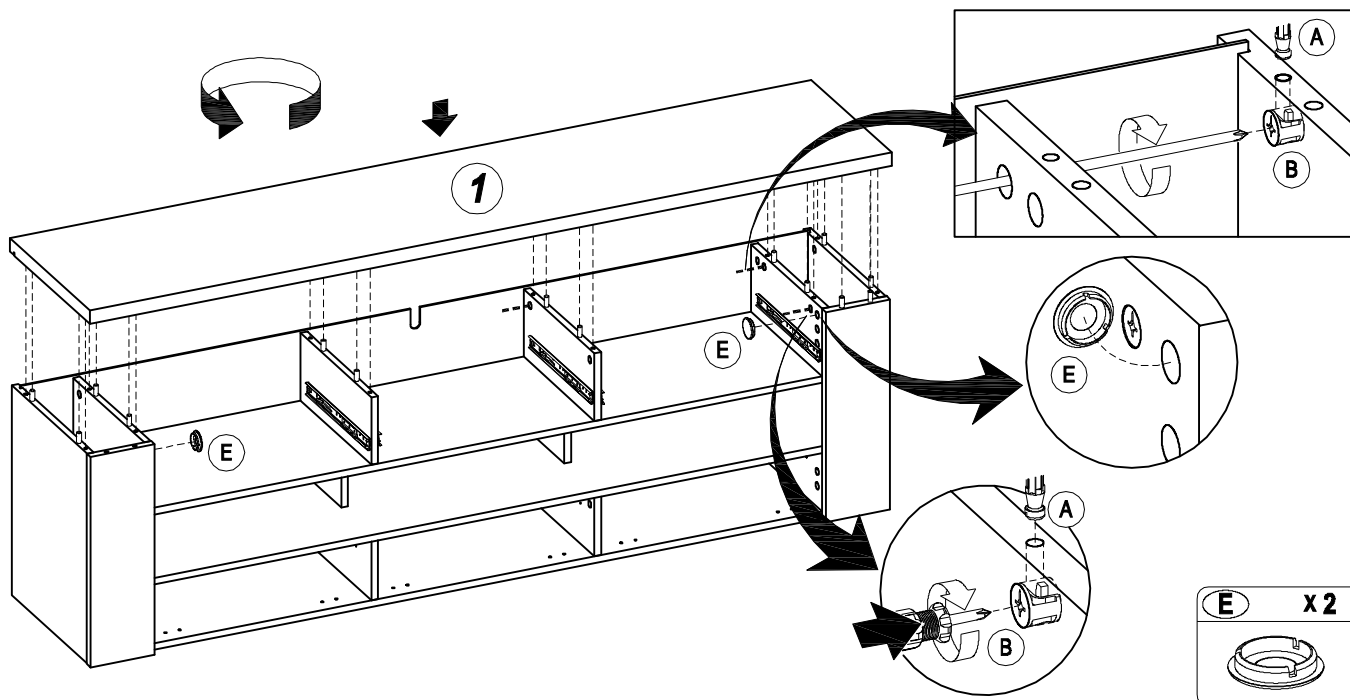
- C** x2  

- D** x6  

- E** x2  




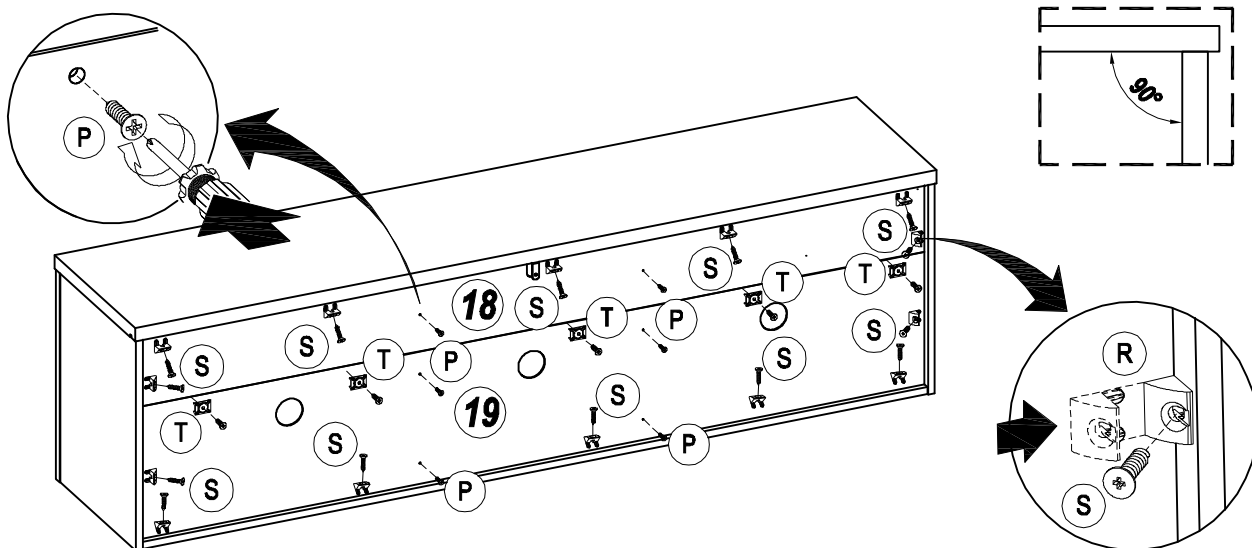
15







16

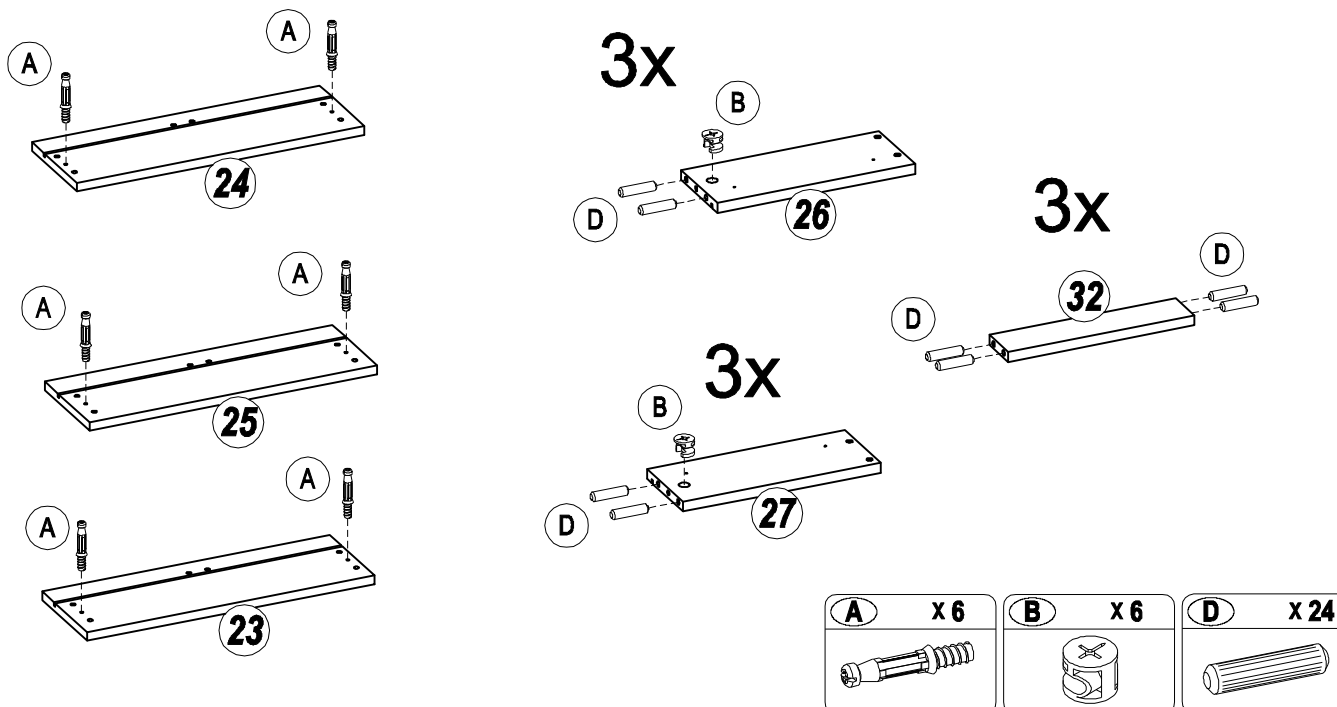





17



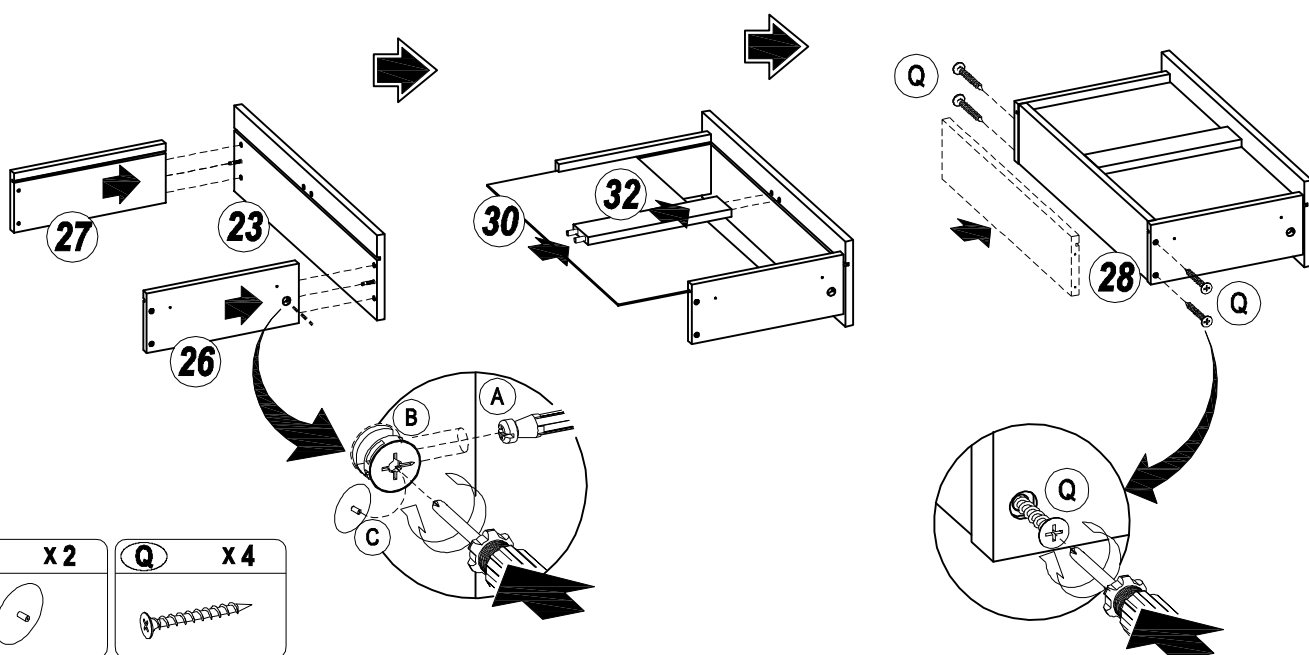
<b>P</b> x 11	<b>R</b> x 14	<b>S</b> x 14	<b>T</b> x 5
 Ø 3 x 13 mm		 Ø3.5 X 19 mm	



18



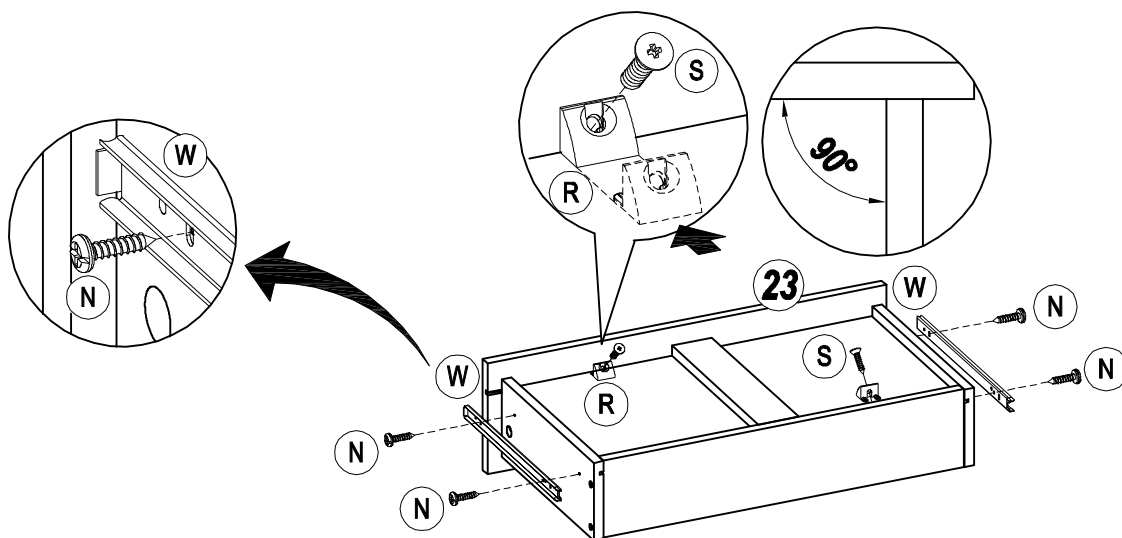
<b>A</b> x 6	<b>B</b> x 6	<b>D</b> x 24
		


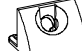
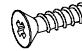

19



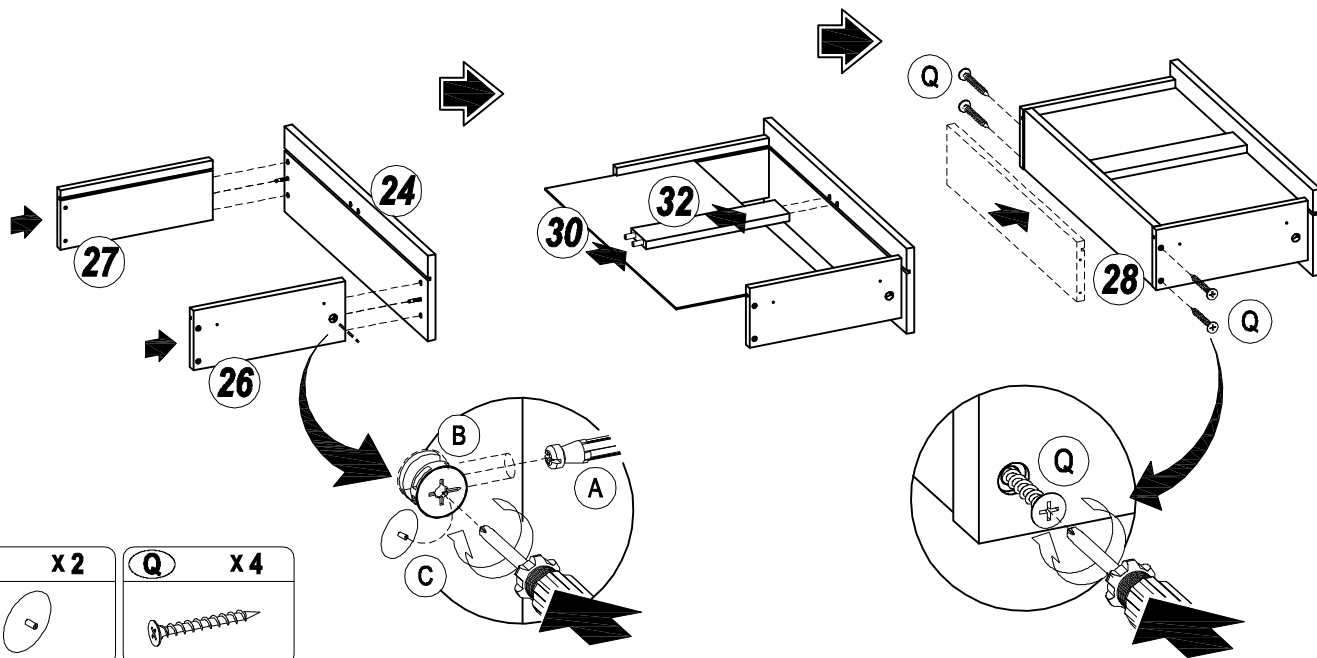
<b>C</b> x 2	<b>Q</b> x 4
	



20



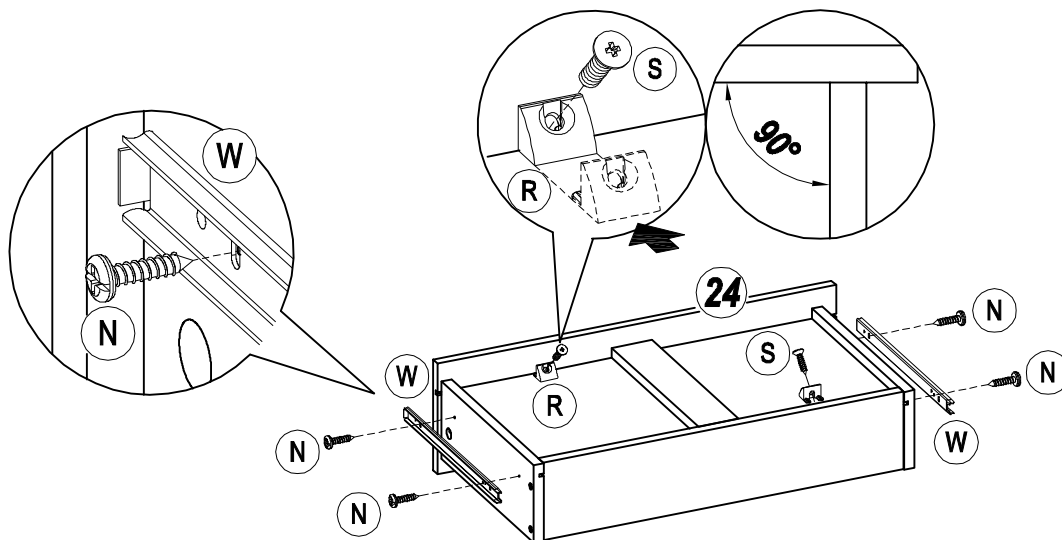
<b>N</b> x4	<b>R</b> x2	<b>S</b> x2	<b>W</b> x1
			
Ø 3.5 x 12 mm		Ø 3.5 x 19 mm	


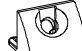


21



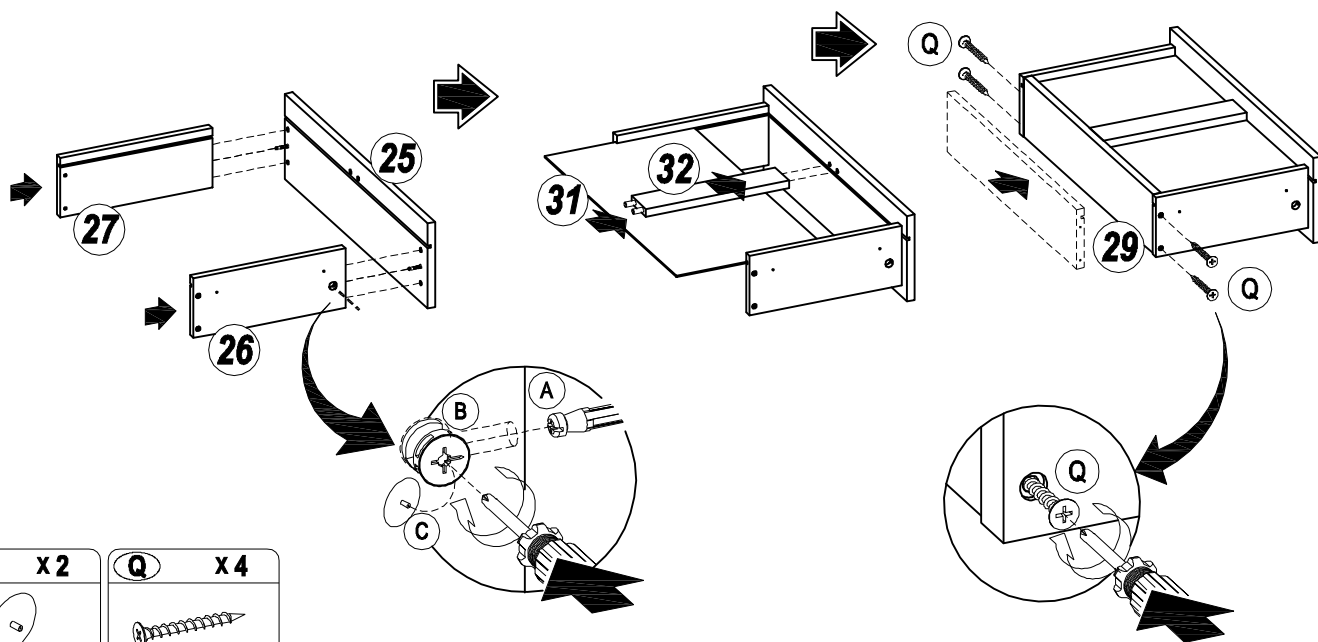
<b>C</b> x2	<b>Q</b> x4
	

22



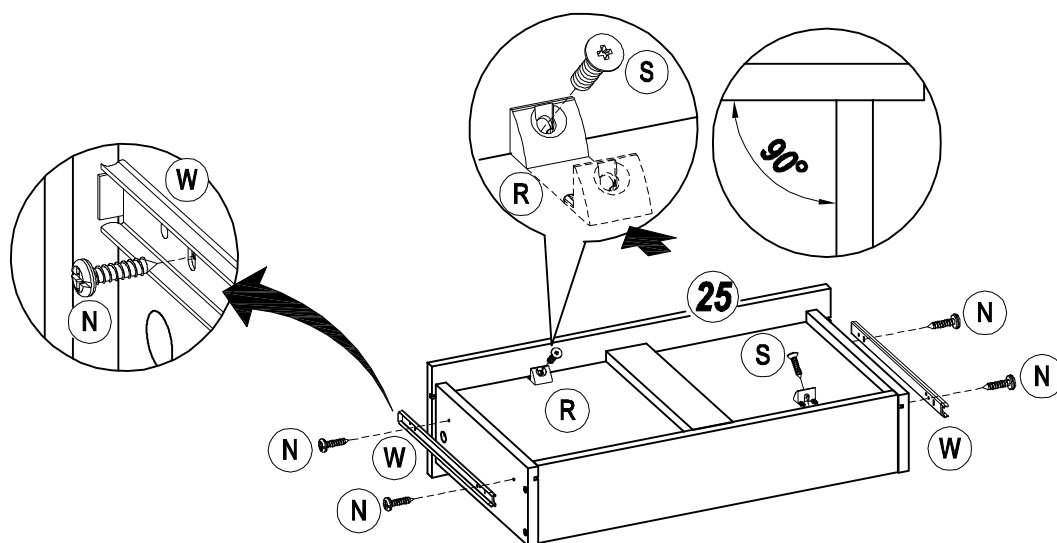
<b>N</b> x4	<b>R</b> x2	<b>S</b> x2	<b>W</b> x1
			
Ø 3.5 x 12 mm		Ø 3.5 x 19 mm	

**23**



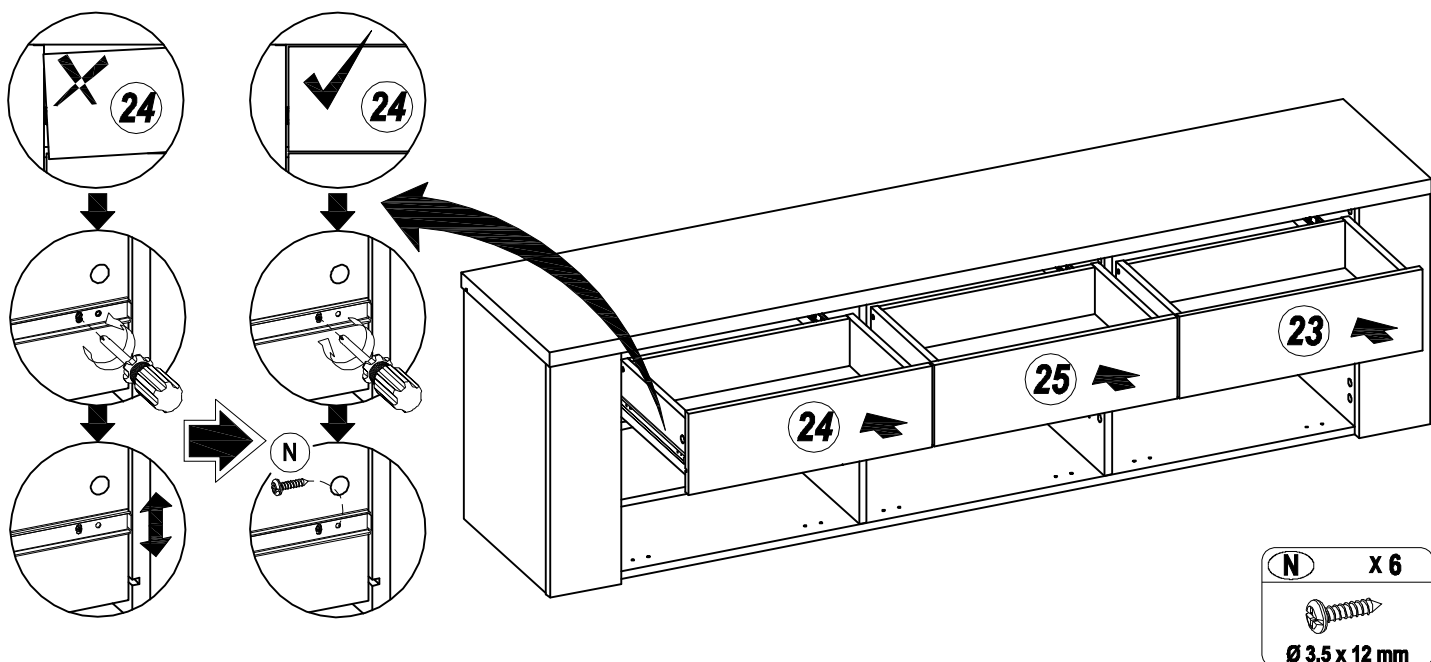
<b>C</b>	x 2	<b>Q</b>	x 4

**24**



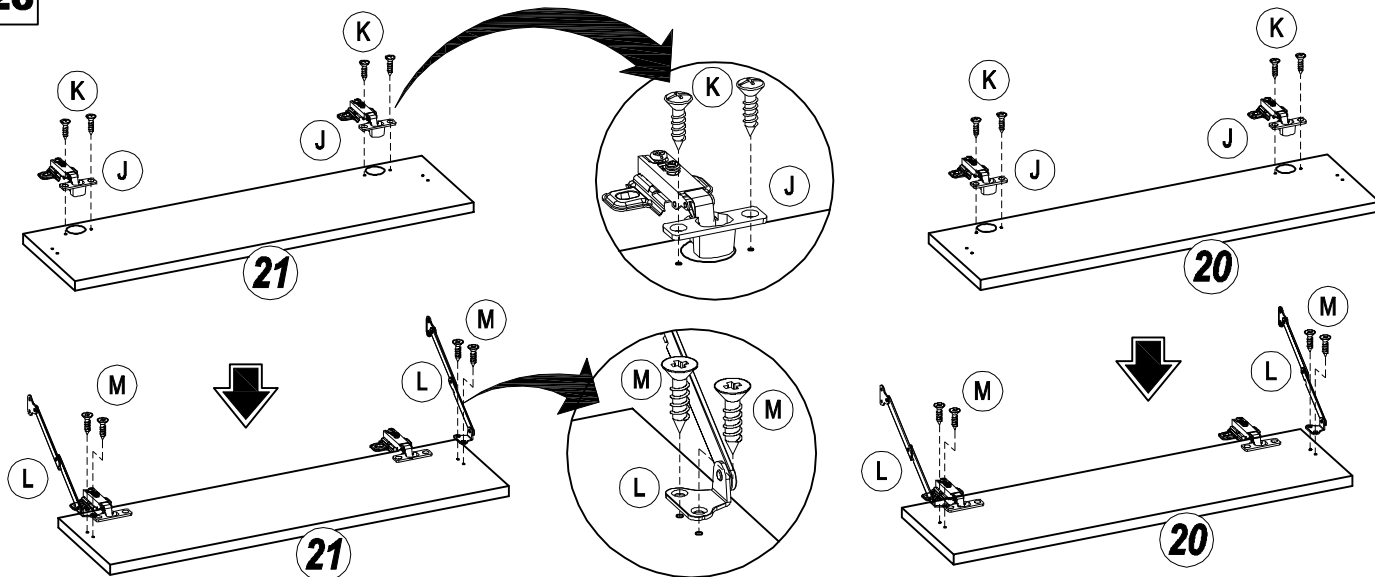
<b>N</b>	x 4	<b>R</b>	x 2	<b>S</b>	x 2	<b>W</b>	x 1
Ø 3.5 x 12 mm				Ø 3.5 x 19 mm			

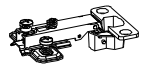



**25**



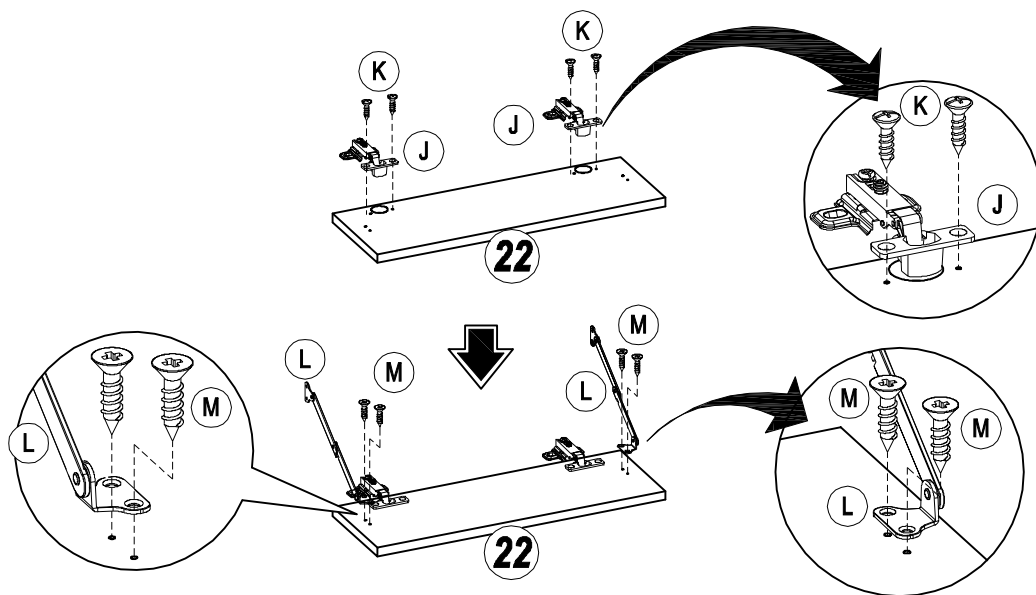
<b>N</b>	x 6
Ø 3.5 x 12 mm	





26



<b>J</b> x4	<b>K</b> x8	<b>L</b> x2	<b>M</b> x8
	 Ø 4 x 14 mm		 Ø 3.5 x 12 mm

27



<b>J</b> x2	<b>K</b> x4	<b>L</b> x1	<b>M</b> x4
	 Ø 4 x 14 mm		 Ø 3.5 x 12 mm

28

