

## Assembly instruction

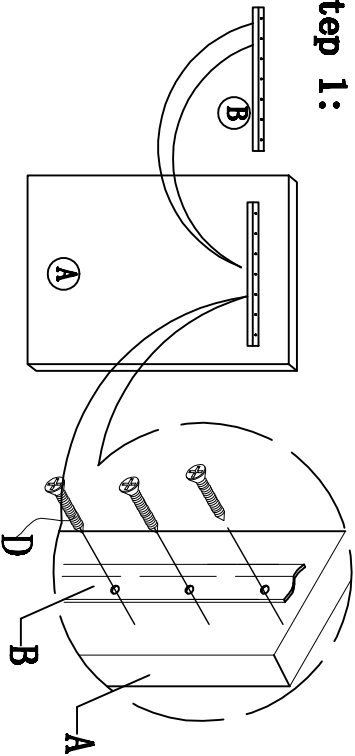
**MODEL MUNROE007 WEIGHT 19.4 KGS**

WALL ARE CONSTRUCTED FROM DIFFERENT MATERIALS, FOR EXAMPLE, MASONRY (SOLID BRICK), CEMENT OR PLASTERBOARD LINED CAVITY WALLS (HOLLOW). IT IS IMPORTANT THAT YOU USE APPROPRIATE WALL FIXINGS FOR YOUR WALL TYPE. CUSTOMERS ARE ADVISED TO ENGAGE THE SERVICES OF A PROFESSIONAL PICTURE FRAME HANGER TO INSTALL THIS PRODUCT.

<b>A. FRAME</b> 1pc	<b>B. CLEAR HANGER</b> 2pcs	<b>C. WALL FIXING</b> 6pcs	<b>D. TS 10MM</b> 6pcs	<b>E. TS 3MM</b> 6pcs
------------------------	--------------------------------	-------------------------------	---------------------------	--------------------------

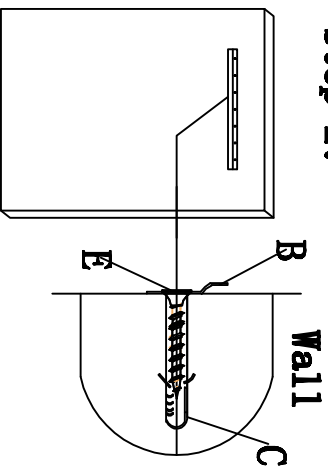
Note: Skipping any steps could lead to improper assembly and damages

### step 1:

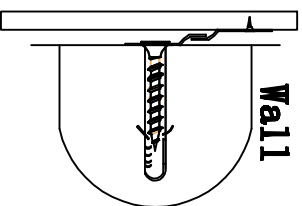


SCREW CLEAR HANGER ② ONTO FRAME ① HANGER MUST FACE DOWN. USE ④ SCREWS.

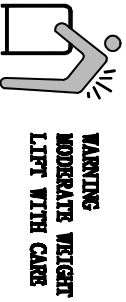
### step 2:



### step 3:



SCREW OTHER CLEAR HANGER ② ONTO WALL USING WALL FIXING ③ WITH SCREW ⑤  
DRILL A HOLE FIRST INTO THE WALL AND PLACE WALL FIXING FIRST AND THEN INSERT SCREW.



**WARNING**  
MODERATE WEIGHT  
LIFT WITH CARE

## Assembly instruction

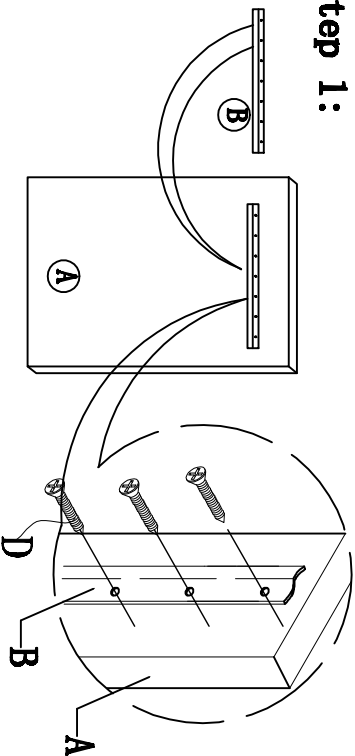
**MODEL MUNROE007 WEIGHT 19.4 KGS**

WALL ARE CONSTRUCTED FROM DIFFERENT MATERIALS, FOR EXAMPLE, MASONRY (SOLID BRICK), CEMENT OR PLASTERBOARD LINED CAVITY WALLS (HOLLOW). IT IS IMPORTANT THAT YOU USE APPROPRIATE WALL FIXINGS FOR YOUR WALL TYPE. CUSTOMERS ARE ADVISED TO ENGAGE THE SERVICES OF A PROFESSIONAL PICTURE FRAME HANGER TO INSTALL THIS PRODUCT.

<b>A. FRAME</b> 1pc	<b>B. CLEAR HANGER</b> 2pcs	<b>C. WALL FIXING</b> 6pcs	<b>D. TS 10MM</b> 6pcs	<b>E. TS 3MM</b> 6pcs
------------------------	--------------------------------	-------------------------------	---------------------------	--------------------------

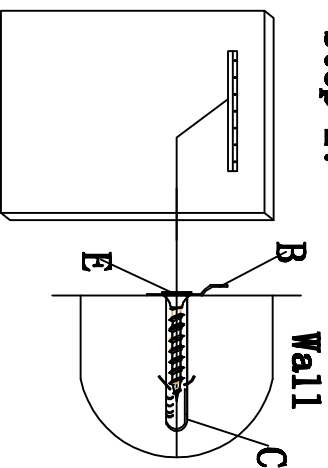
Note: Skipping any steps could lead to improper assembly and damages

### step 1:

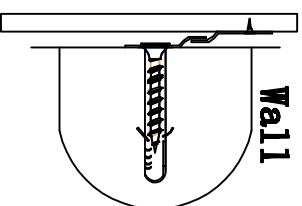


SCREW CLEAR HANGER ② ONTO FRAME ① HANGER MUST FACE DOWN. USE ④ SCREWS.

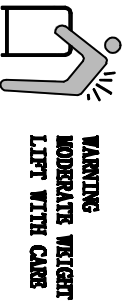
### step 2:



### step 3:



SCREW OTHER CLEAR HANGER ② ONTO WALL USING WALL FIXING ③ WITH SCREW ⑤  
DRILL A HOLE FIRST INTO THE WALL AND PLACE WALL FIXING FIRST AND THEN INSERT SCREW.



**WARNING**  
MODERATE WEIGHT  
LIFT WITH CARE