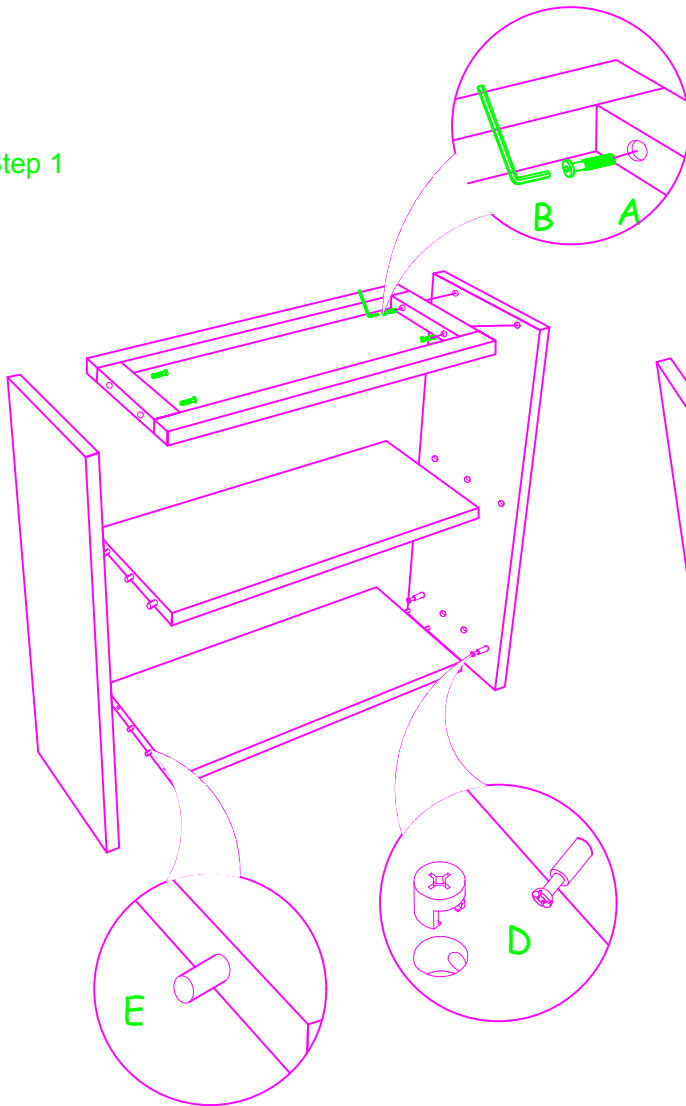


ASSEMBLY INSTRUCTION

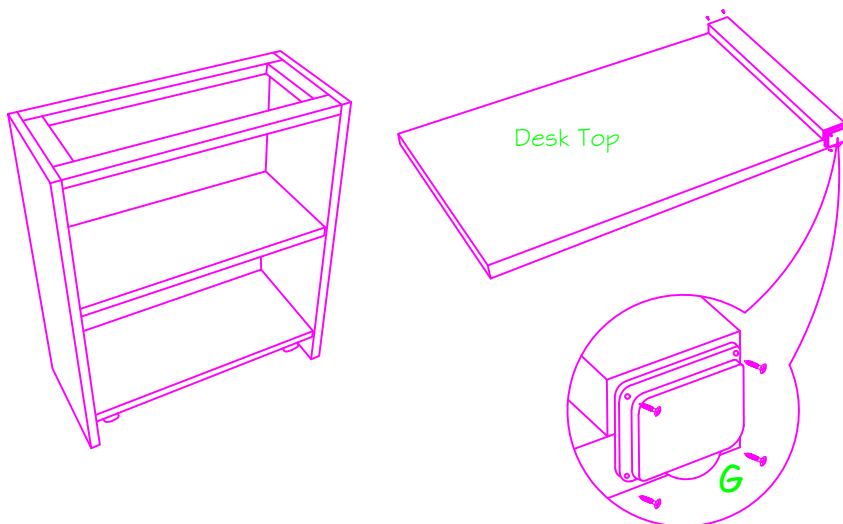
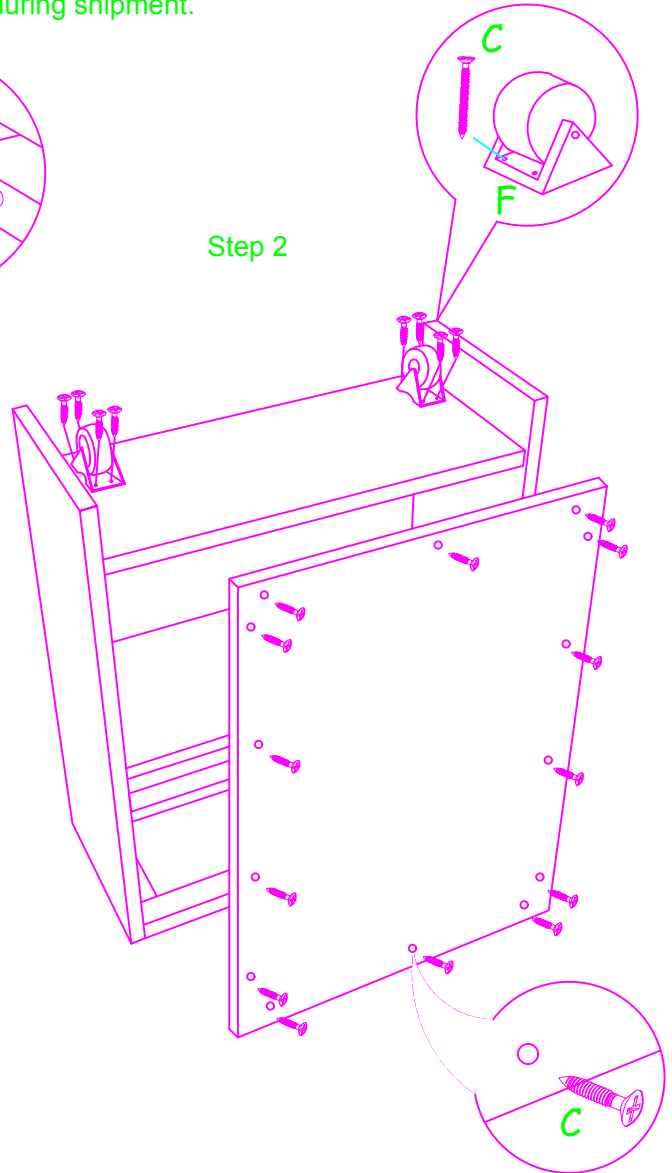
LV-2016-186-(DESK)

Thank you for purchasing this quality product. Be sure to check all packing material carefully for small parts that may have come loose inside the carton during shipment.

Step 1



Step 2



HARDWARE LISTS

NO	DESCRIPTION	QTY
A	JCBC Ø6 X 45mm	4
B	Allen Key	1
C	CSK screw 5/8"	30
D	MINI FIX	4
E	Dowel Ø8 X 30mm	10
F	Castor	2
G	Roller	2

EXAMPLE FOR SKETCH ONLY

MADE IN MALAYSIA