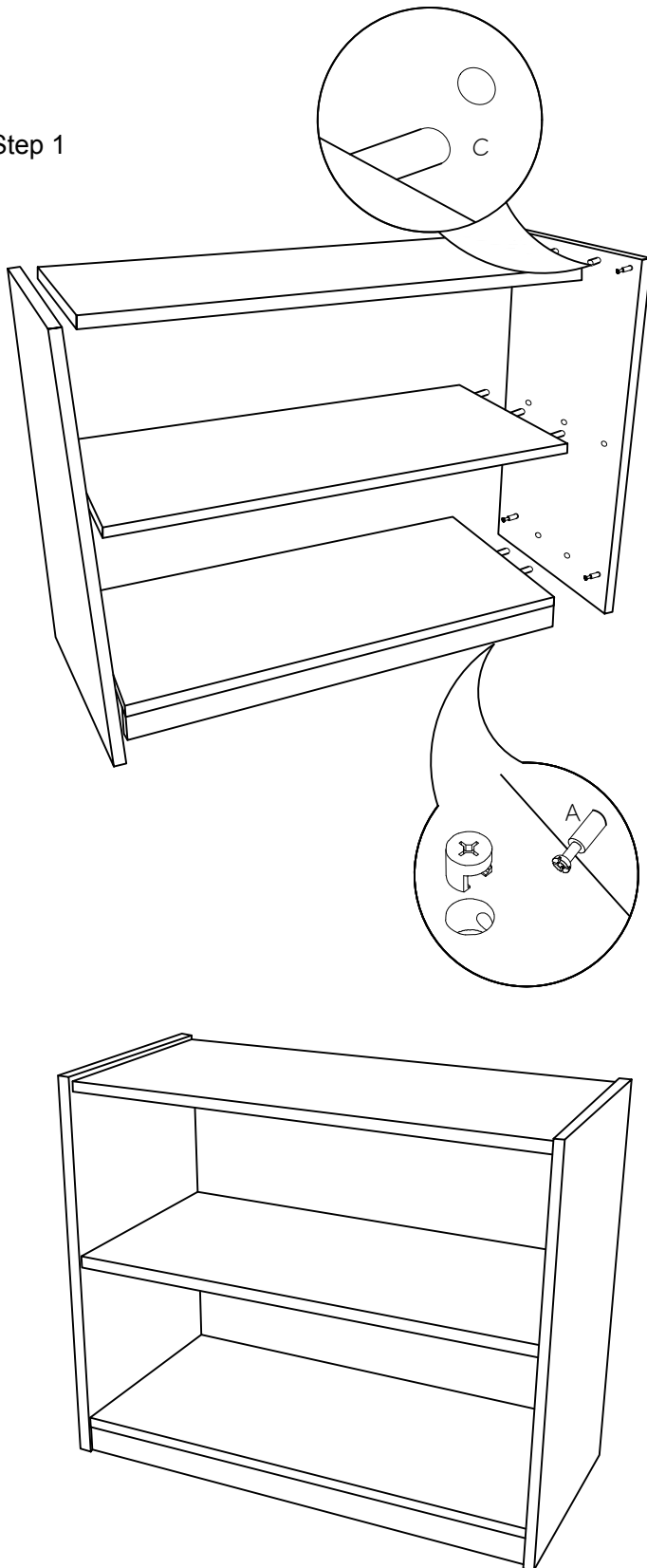


ASSEMBLY INSTRUCTION

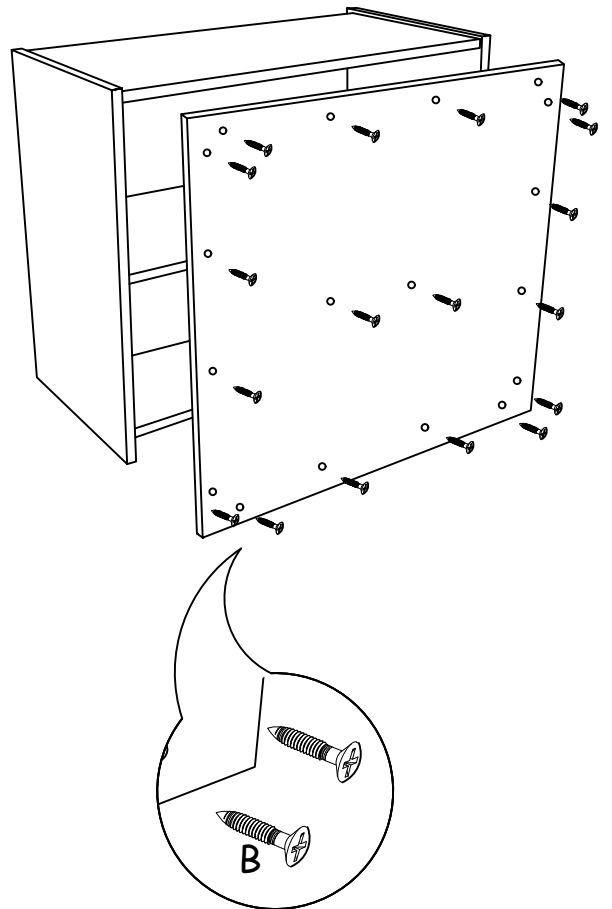
LV-2016-186-SBMS(OPEN SHELF)

Thank you for purchasing this quality product. Be sure to check all packing material carefully for small parts that may have come loose inside the carton during shipment.

Step 1



Step 2



HARDWARE LISTS

NO	DESCRIPTION	QTY
A	 Minifit	8
B	 CSK screw 5/8"	18
C	 Dowel Ø8 X 30mm	14

EXAMPLE FOR SKETCH ONLY

MADE IN MALAYSIA