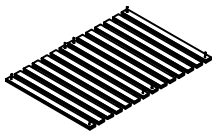


ASSEMBLY INSTRUCTION

LV-2016-186-SLAT BASE

Thank you for purchasing this quality product. Be sure to check all packing material carefully for small parts that may have come loose inside the carton during shipment.

COMPONENT LISTS

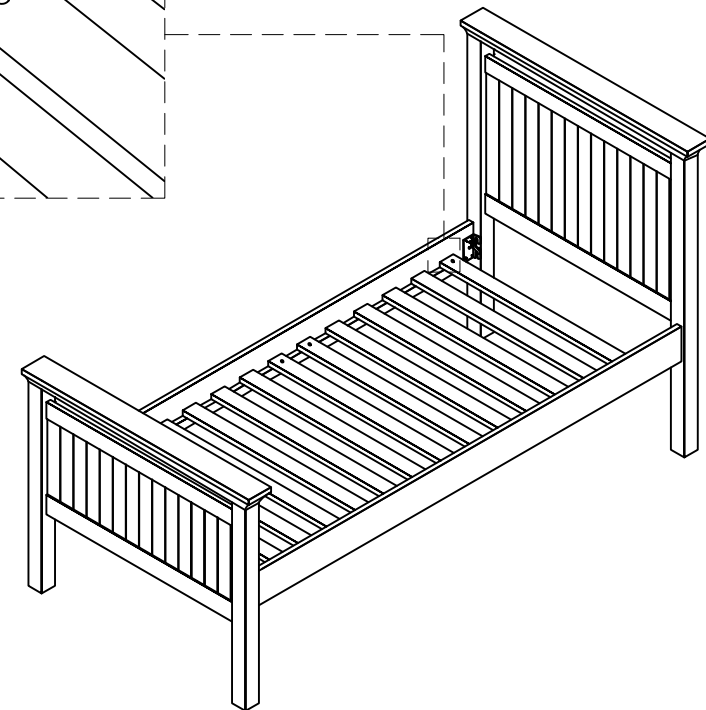
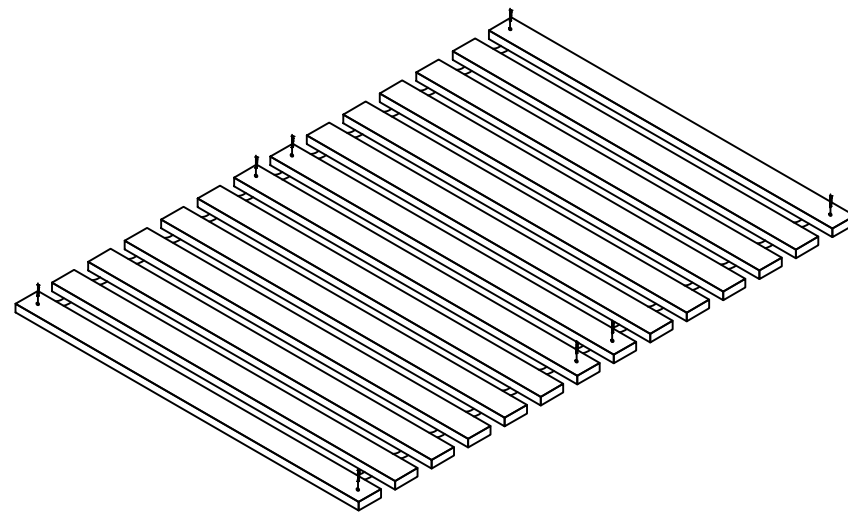
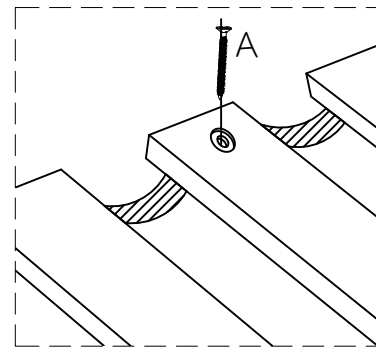
NO	DESCRIPTION	QTY
1	 SLAT BASE	14

HARDWARE LISTS

NO	DESCRIPTION	QTY
A	 CSK SCREW 4X38MM	12

STEP 1

ATTACH THE SLAT BASE ONTO THE BED SIDE RAIL SUPPORT BY USING CSK SCREW.



EXAMPLE FOR SKETCH ONLY

MADE IN MALAYSIA