

MODEL :NV865903

ASSEMBLY INSTRUCTION

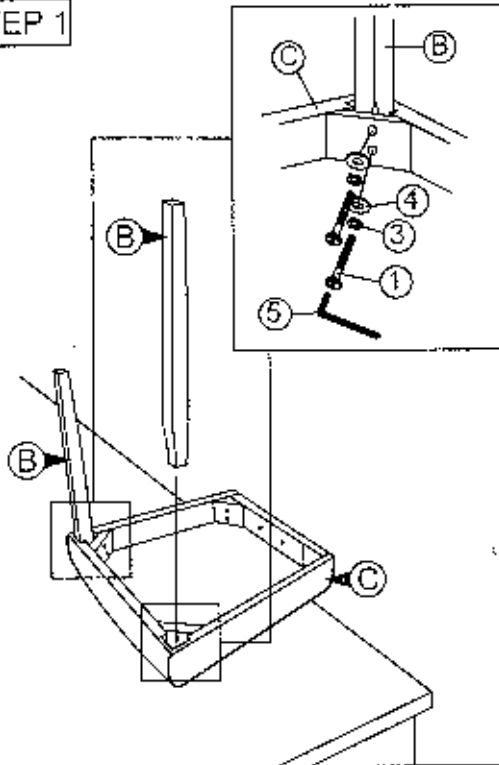
Read this instruction carefully. Remove all wrapping material, staples and straps from the carton. See hardware and furniture part list for guidance. Be sure you have all wooden furniture parts on a clean and flat soft surface such as a carpet or rug to prevent from being scratched.

CAUTION:

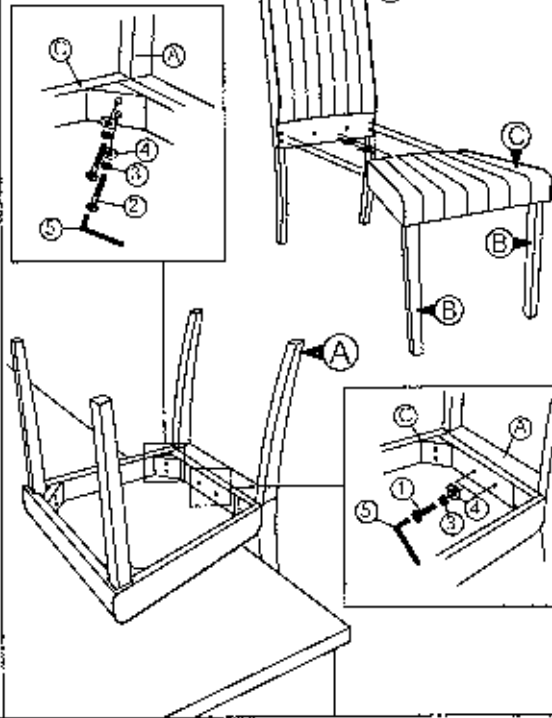
1. Do not FULLY - TIGHTEN the nut or screw until all is ready to assemble.
2. Do not OVER - TIGHTEN the nut or screw to avoid causing damages to the thread.
3. Keep all hardware part out of reach of children.

NO	PART LIST	QTY	NO	PART LIST	QTY
A	BACK REST	1 PC	1	M6 X 50MM LOCK SCREW	6 PCS
B	FRONT LEG	2 PCS	2	M6 X 50MM LOCK SCREW	4 PCS
C	TRAY BOX WITH CUSHION	1 PC	3	SPRING WASHER	6 PCS
			4	FLAT WASHER	6 PCS
			5	M6 ALLOY KEY	1 PC

STEP 1



STEP 2



COMPLETED ASSEMBLY

MODEL :NV865903

ASSEMBLY INSTRUCTION

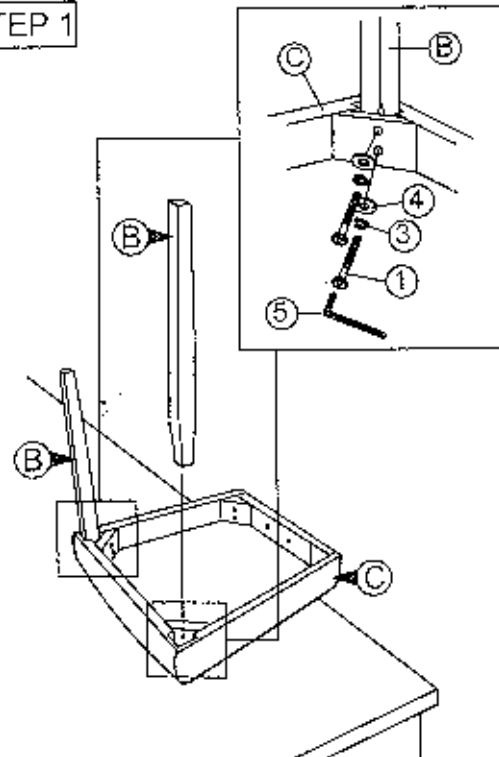
Read this instruction carefully. Remove all wrapping material, staples and straps from the carton. See hardware and furniture part list for guidance. Be sure you have all wooden furniture parts on a clean and flat soft surface, such as a carpet or rug, to prevent from being scratched.

CAUTION:

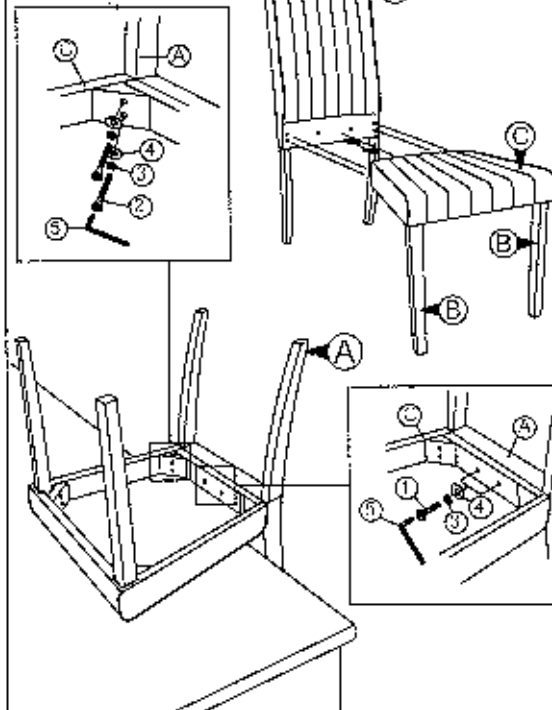
1. Do not FULLY - TIGHTEN the nut or screw until all is ready to assemble.
2. Do not OVER - TIGHTEN the nut or screw to avoid causing damages to the thread.
3. Keep all hardware part out of reach of children.

NO	PART LIST	QTY	NO	PART LIST	QTY
A	BACK REST	1 PC	1	M6 X 50MM LOCK SCREW	6 PCS
B	FRONT LEG	2 PCS	2	M6 X 50MM LOCK SCREW	4 PCS
C	TRAY BOX WITH CUSHION	1 PC	3	SPRING WASHER	6 PCS
			4	FLAT WASHER	6 PCS
			5	M6 ALLOY KEY	1 PC

STEP 1



STEP 2



COMPLETED ASSEMBLY