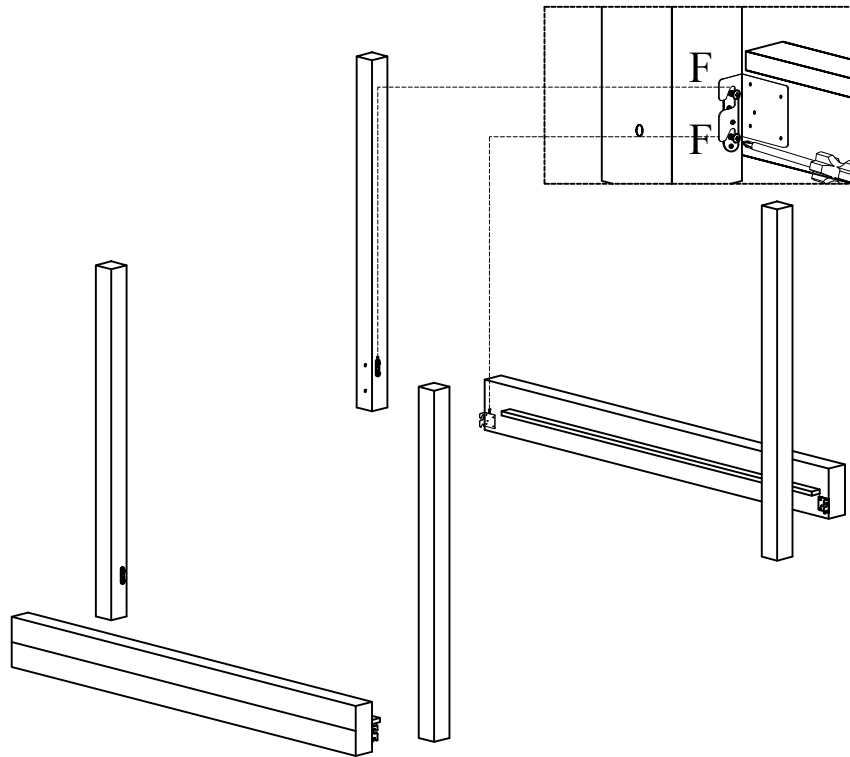


# ASSEMBLY INSTRUCTIONS

# ROCKDALE - King Bed

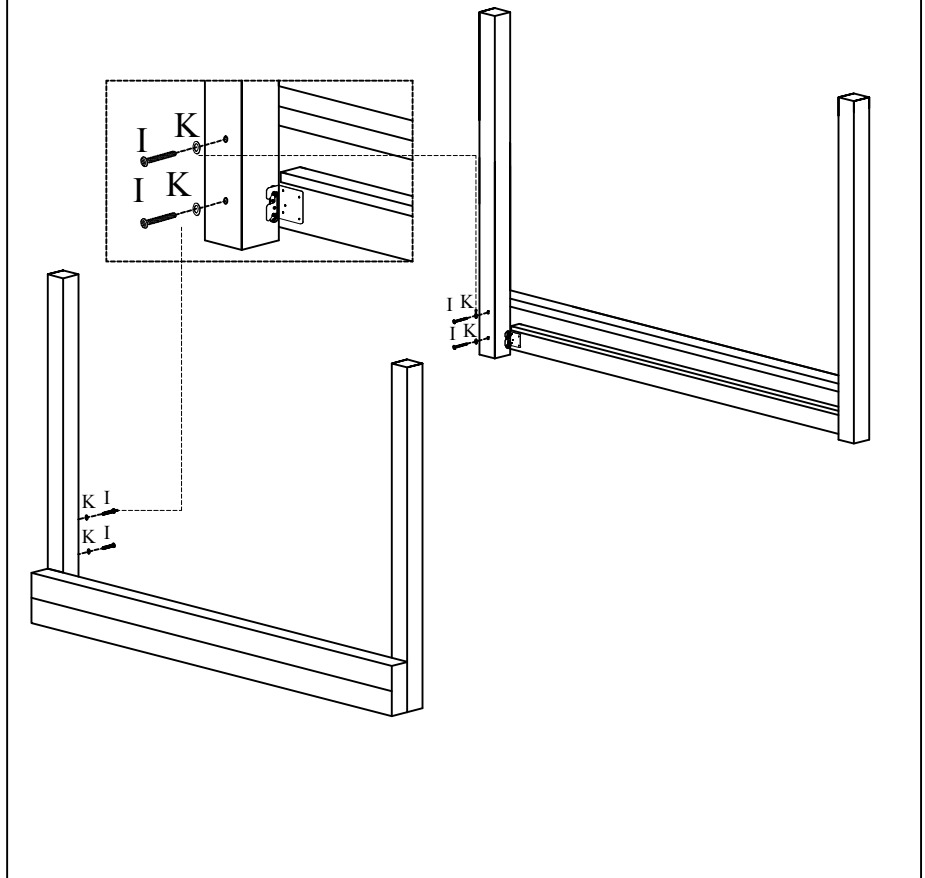
## STEP 1

Pre-screw Nut Screw into position on to the Post as shown. Hook the side rail to the Nut Screw and fix the centre Nut Screw as shown. Use Philip Head Screw Driver to tighten the Nut Screw until totally in.



## STEP 1

Screw post with JCBC screw to the Post as shown. Use allen key to tighten the JCBC screw until totally in.



MADE IN MALAYSIA