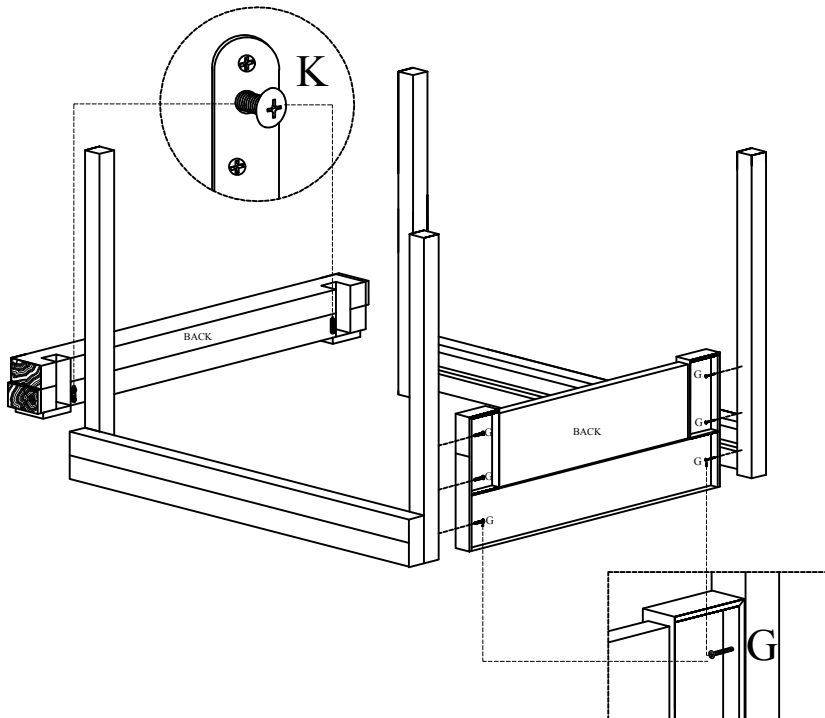


# ASSEMBLY INSTRUCTIONS

# ROCKDALE - King Bed

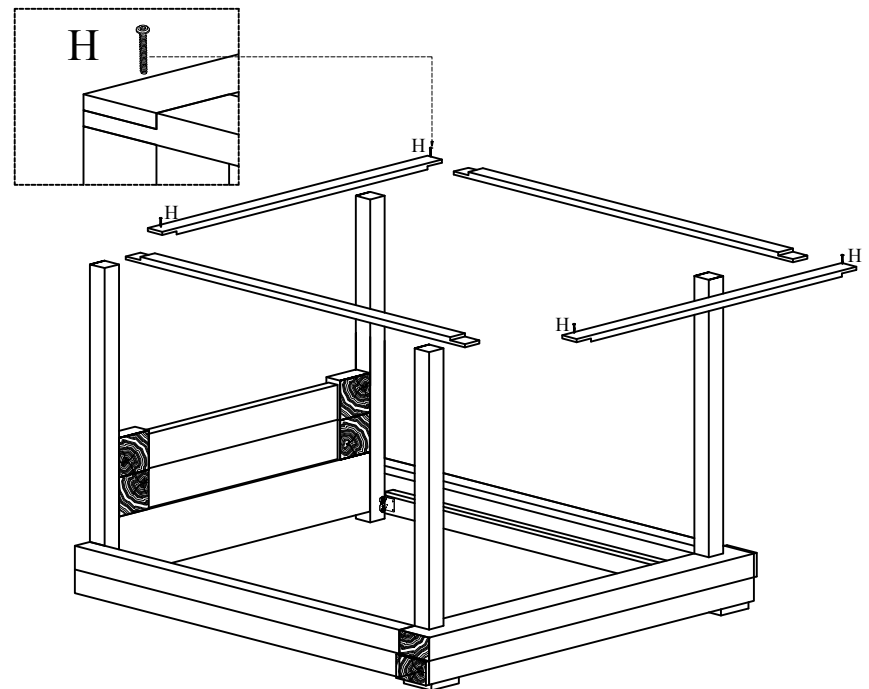
## STEP 3

Screw Headboard with JCBC screw to Post . Pre- screw Nut Screw into position on Footboard. Hook the side rail to the Nut Screw and fix the centre Nut Screw as shown. Use Philip Head Screw Driver to tighten the Nut Screw until totally in.



## STEP 4

Screw Post Support with JCBC screw to Post . Use allen key to tighten the JCBC screw until totally in.



MADE IN MALAYSIA