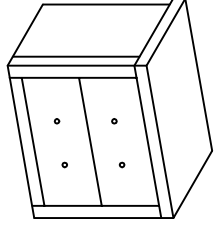


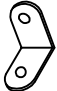



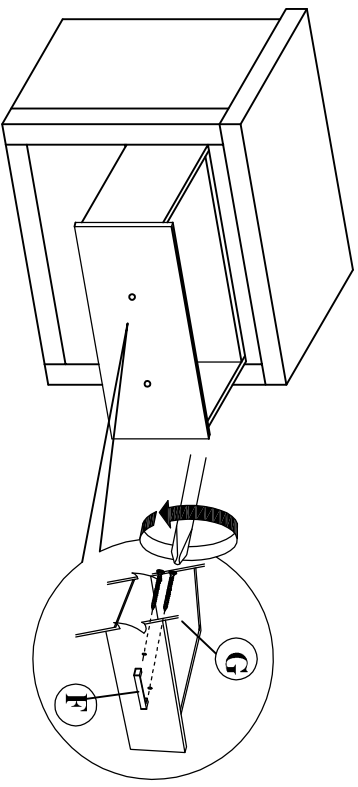


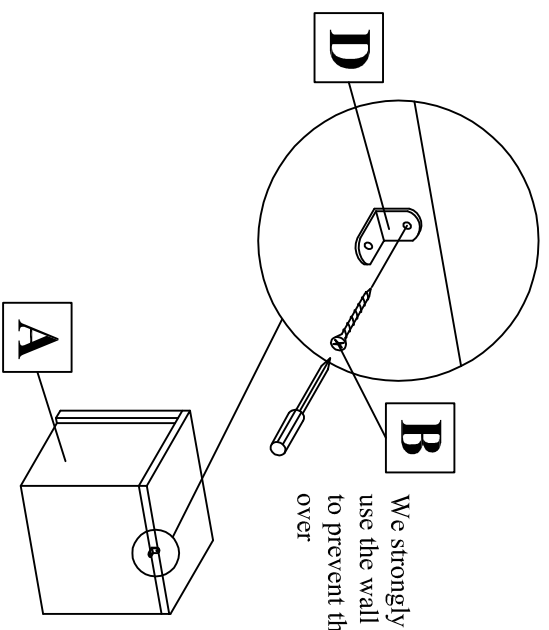
**MODEL : SH 6004 NIGHT STAND**

NO	PART LIST	QTY
	NIGHT STAND	
A		1 PC
B	 Small CSK Screw	1 PC
C	 Long CSK Screw	1 PC
D	 Angle Bracket	2 PCS
E	 CABLE TIE	1 PC
F	 HANDLE	2 PCS
G	 CSK SCREW 50 mm	4 PCS

Step 1 : Tighten the handle (C) to night stand (A) as shown.

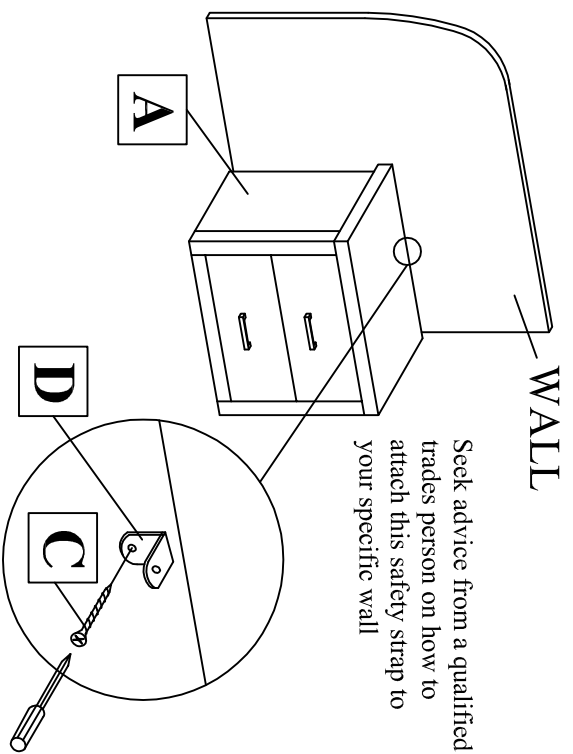


Step 2: Attach the angle bracket (D) to the night stand (A).



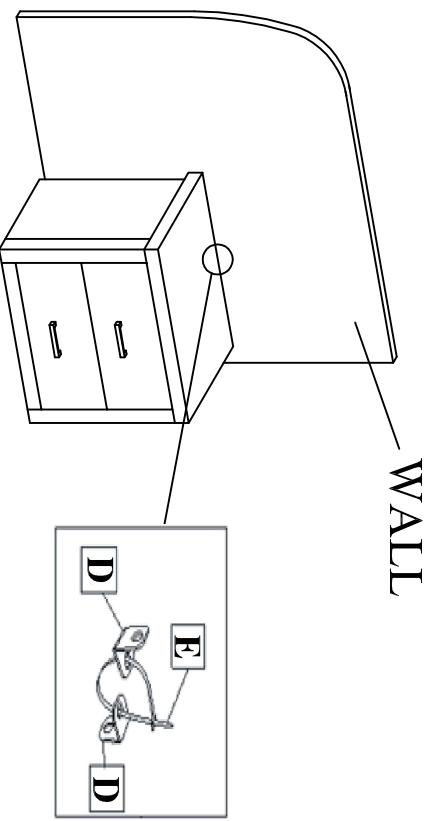
We strongly advise that you use the wall safety provided to prevent the unit toppling over

Step 2: Attach the angle bracket (D) to the wall.



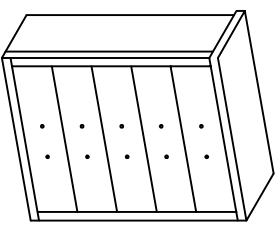






Seek advice from a qualified trades person on how to attach this safety strap to your specific wall

Step 4 : Place the night stand into position so both mounting brackets are vertically in line. Lace the end of the restraint strap through the larger hole in each mounting bracket. Bring both ends together and slide the flat end through the locking end and draw it through until all slack is removed. Confirm that the strap is securely laced and locked.

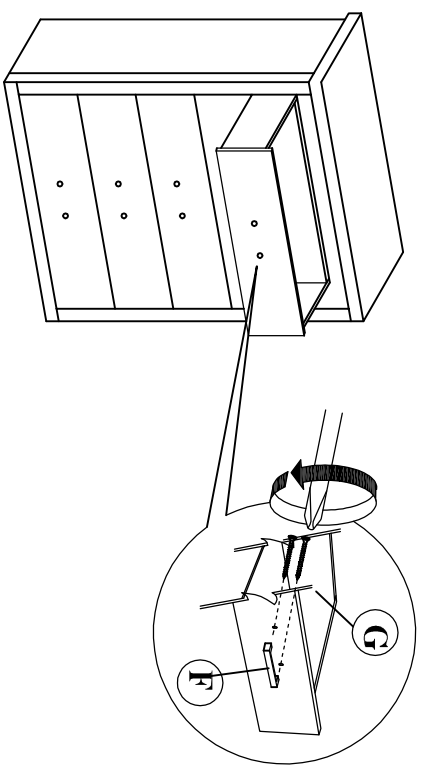


Move the night stand to the final position. Attach the safety strap to the wall. Make sure it is firmly attached and make sure it is snug fit.

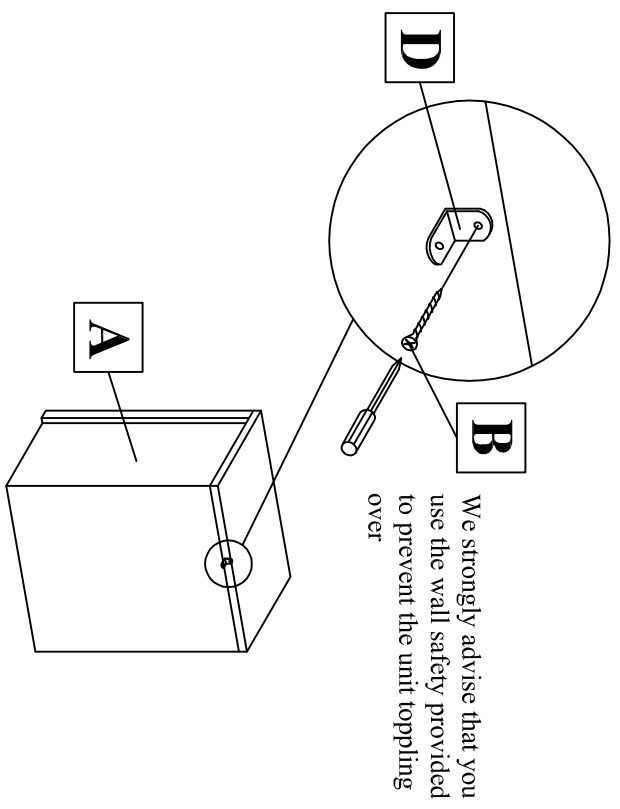
# MODEL : SH 6004 CHEST

NO	PART LIST	QTY
	CHEST	
A		1 PC
B	 Small CSK Screw	1 PC
C	 Long CSK Screw	1 PC
D	 Angle Bracket	2 PCS
E	 CABLE TIE	1 PC
F	 HANDLE	5 PCS
G	 CSK SCREW 50 mm	10 PCS

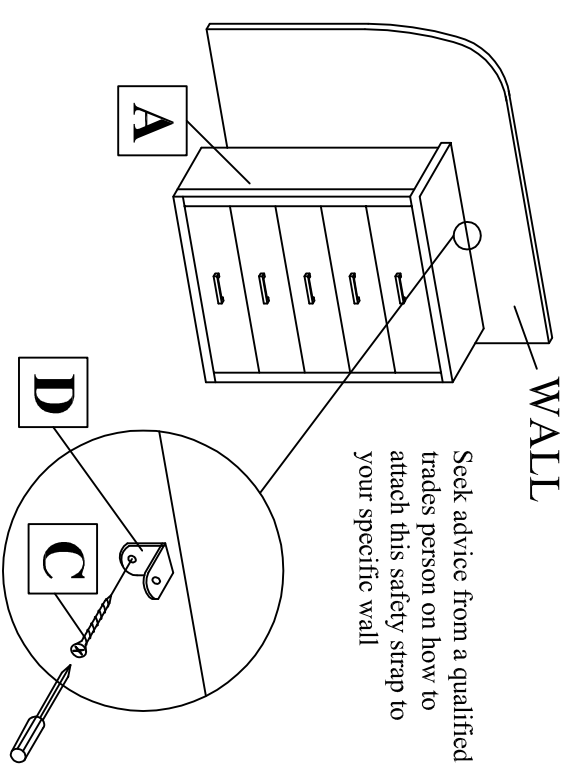
Step 1 : Tighten the handle (C) to chest (A) as shown.



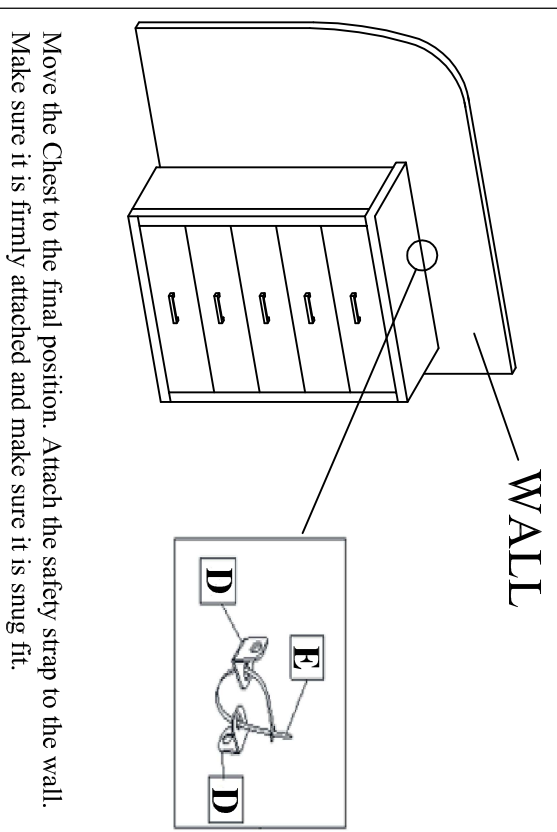
Step 2: Attach the angle bracket (D) to the chest (A).



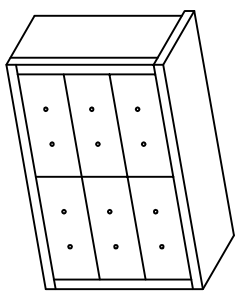


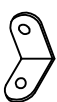



Step 2: Attach the angle bracket (D) to the wall.



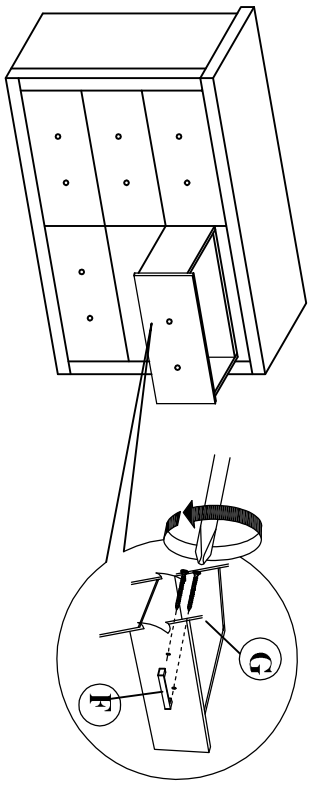
Step 4 : Place the chest into position so both mounting brackets are vertically in line. Lace the end of the restraint strap through the larger hole in each mounting bracket. Bring both ends together and slide the flat end through the locking end and draw it through until all slack is removed. Confirm that the strap is securely laced and locked.



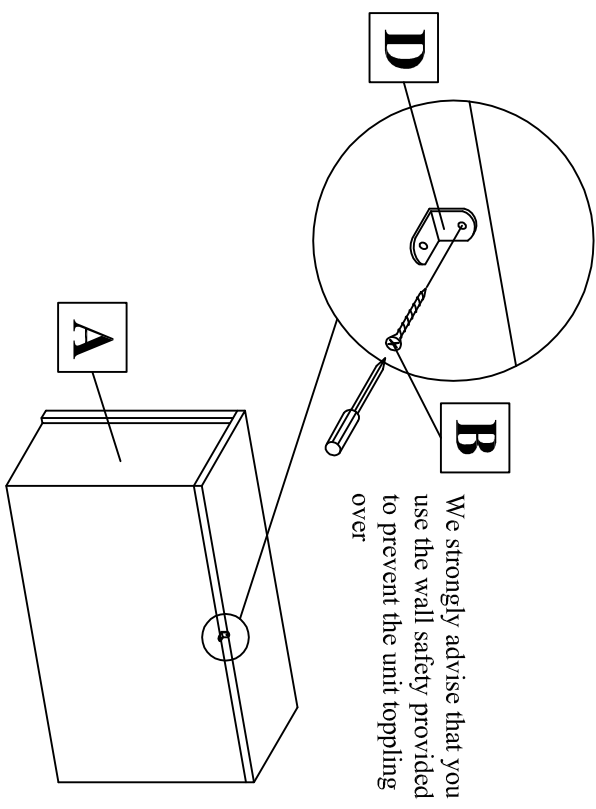
# MODEL : SH 6004 DRESSER

NO	PART LIST	QTY
	DRESSER	
A		1 PC
B	 Small CSK Screw	1 PC
C	 Long CSK Screw	1 PC
D	 Angle Bracket	2 PCS
E	 CABLE TIE	1 PC
F	 HANDLE	6 PCS
G	 CSK SCREW 50 mm	12 PCS

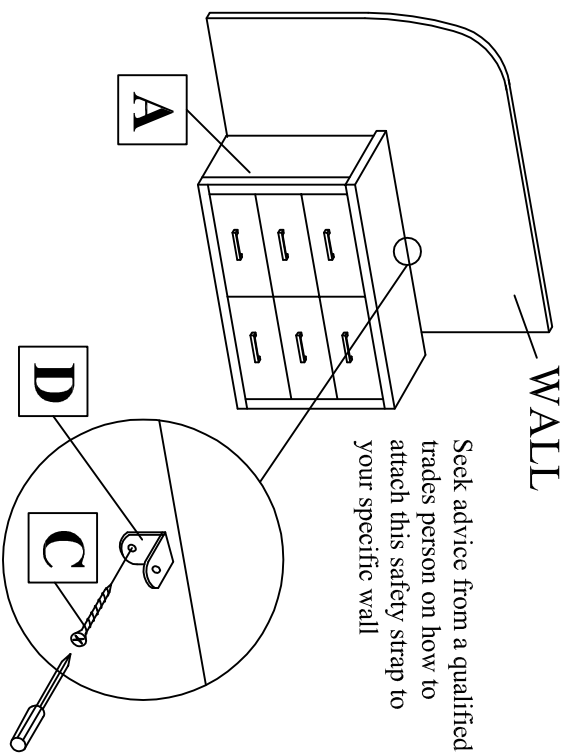
Step 1 : Tighten the handle (C) to dresser (A) as shown.



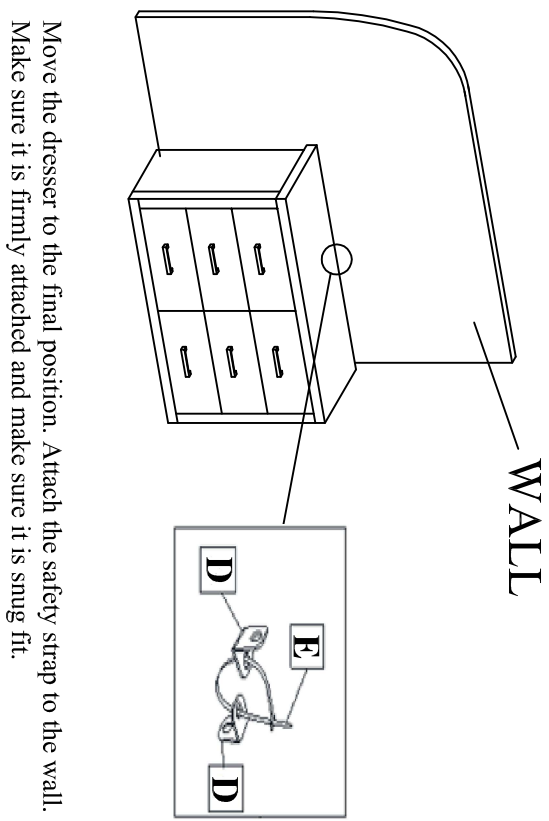
Step 2: Attach the angle bracket (D) to the dresser (A).



Step 2: Attach the angle bracket (D) to the wall.

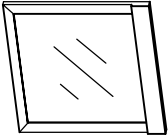
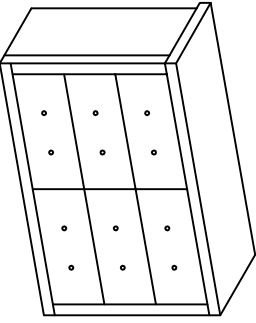
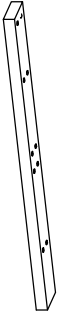



Step 4 : Place the dresser into position so both mounting brackets are vertically in line. Lace the end of the restraint strap through the larger hole in each mounting bracket. Bring both ends together and slide the flat end through the locking end and draw it through until all slack is removed. Confirm that the strap is securely laced and locked.

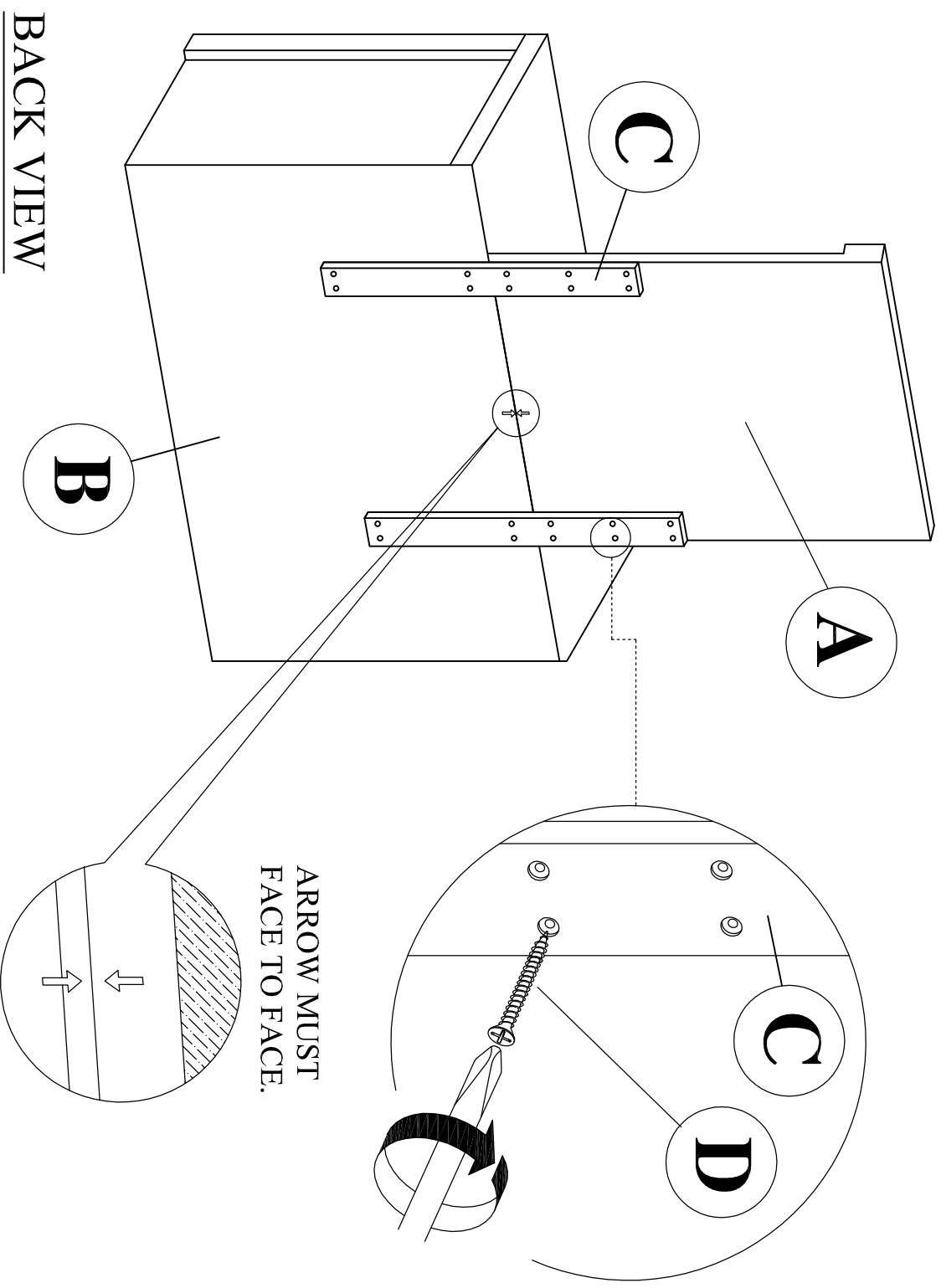


# ASSEMBLY INSTRUCTIONS

MODEL : SH 6004 MIRROR

<p>A</p> <p>MIRROR</p>  <p>1 PC</p>	<p>B</p> <p>DRESSER</p>  <p>1 PC</p>
<p>C</p> <p>MIRROR SUPPORT</p>  <p>2 PCS</p>	<p>D</p> <p>CSK SCREW M4 x 38MM</p>  <p>20 PCS</p>

STEP 1 : Place the MIRROR FRAME (A) on the Top of DRESSER (B) as shown and Tighten with CSK SCREW (D).



BACK VIEW