
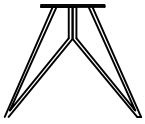
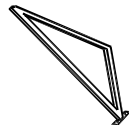








Assembly Instructions MODEL: SHERLOCK R600MMx600H

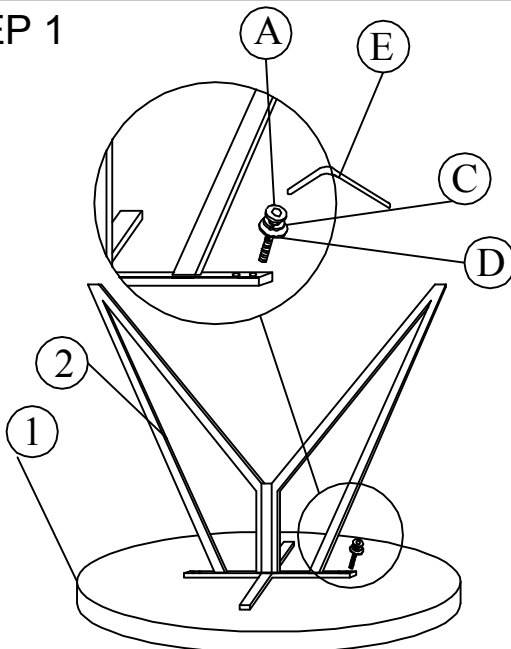
Important note :

- PLACE ALL WOODEN PARTS ON A CLEAN AND SMOOTH SURFACE SUCH AS A RUG OR CARPET TO AVOID THE PARTS FROM SCRATCHED.
- BEFORE YOU ASSEMBLE THE TABLE, KINDLY FOLLOW THE ASSEMBLY INSTRUCTION STEP BY STEP.

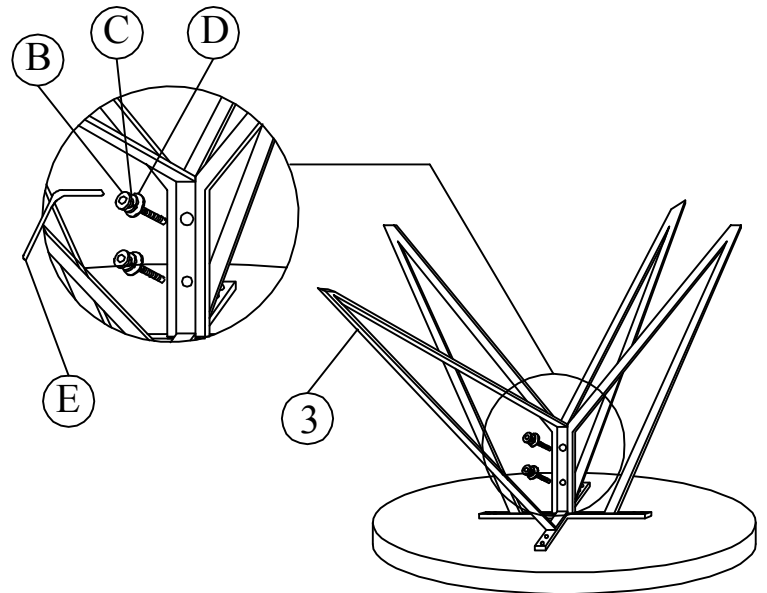
PART LIST		
ITEM	DESCRIPTION	QTY
1	 TABLE	1
2	 LEG-1	1
3	 LEG-2	2

HARDWARE LIST			
ITEM	DESCRIPTION		QTY
A	JCBC M6 X 20 MM		8
B	JCBC M6 X 50 MM		2
C	SPRING WASHER		10
D	FLAT WASHER		10
E	M4 ALLEN KEY		1

STEP 1



STEP 2



FULLY SET- UP

