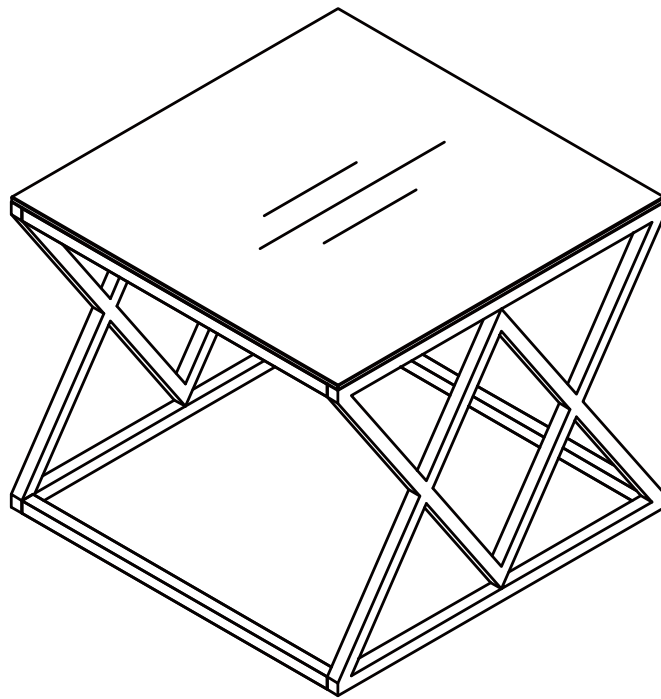
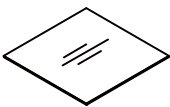
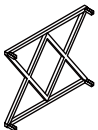
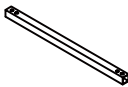
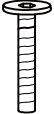







ANNABEL BEDSIDE TABLE ASSEMBLY INSTRUCTIONS



<p>a</p>  <p>1 x Glass Top</p>	<p>b</p>  <p>2 x Legs</p>	<p>c</p>  <p>4 x Link Tube</p>	<p>d</p>  <p>16 x Screw</p>	<p>e</p>  <p>1 x Tool</p>
<p>f</p>  <p>4 x Plastic Pad</p>	<p>g</p>  <p>16 x Steel Pad Ring</p>			

STOP!

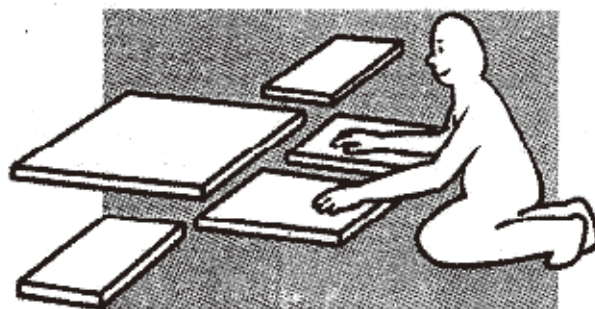
Before you start...

1



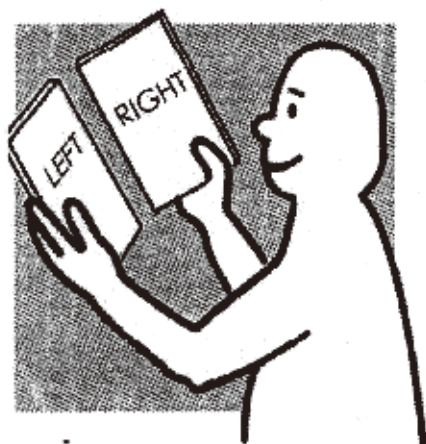
Read Instructions carefully.

2



Lay out all of the components on a soft surface as if you were preparing to do a jigsaw puzzle.

3



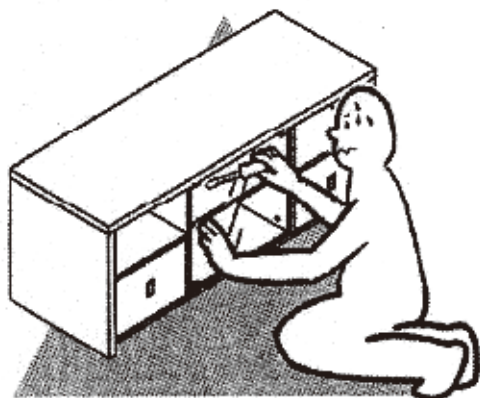
Carefully identify each component, especially those that are similar. The most common mistake is getting things back to front.

4



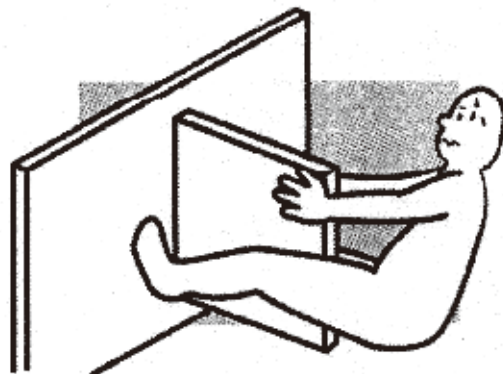
Separate and identify each component from the hardware pack— and rest each one in its proper location before fastening.

5



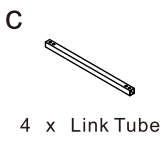
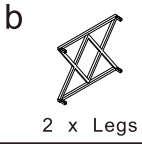
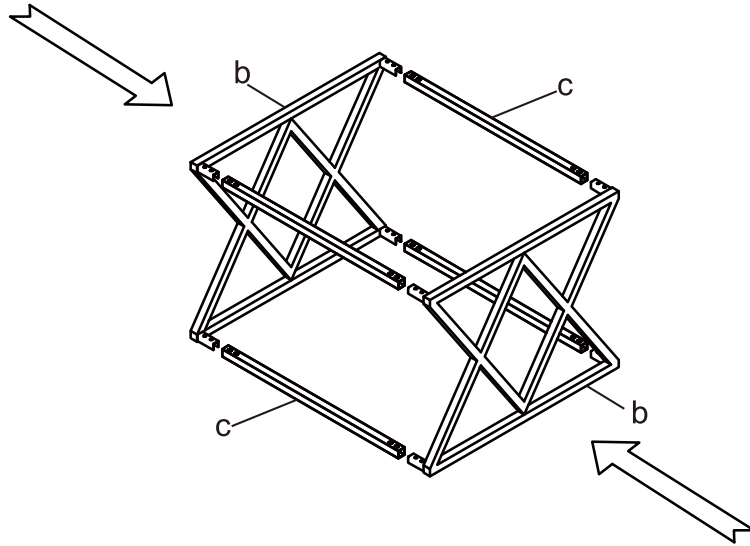
DO NOT Over-tighten screws

6

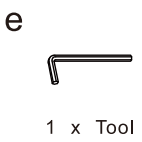
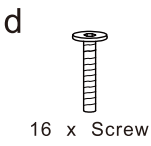
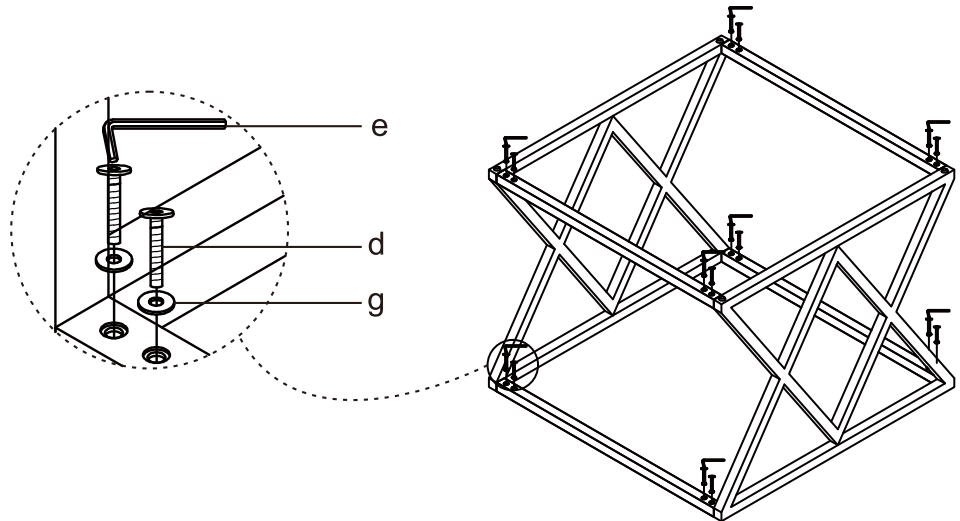


DO NOT set glue until you are certain that the parts belong together.

Step:1



Step:2



Step:3

