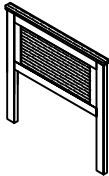




ASSEMBLY INSTRUCTION






LV-2015-172-BED

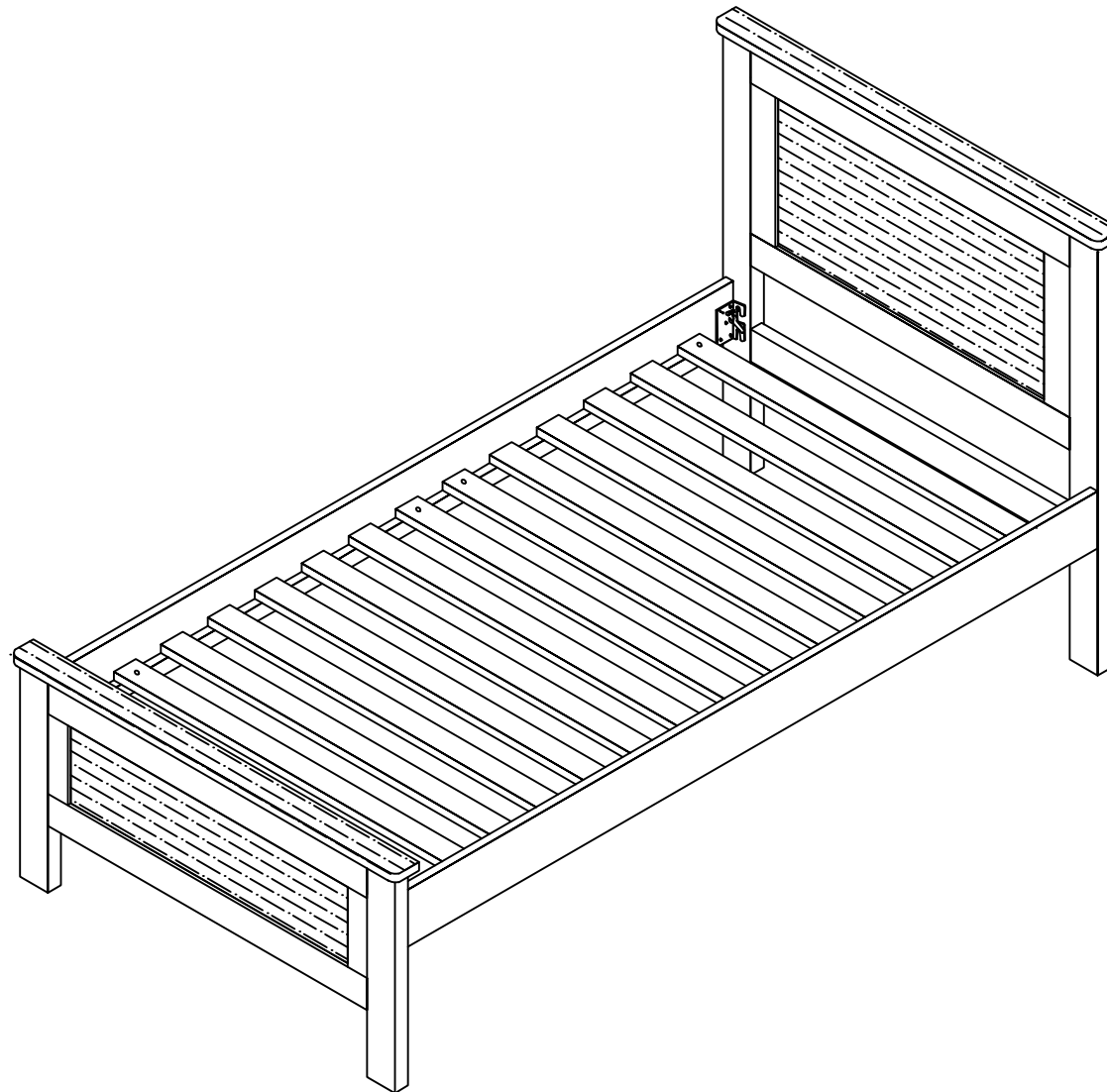
Thank you for purchasing this quality product. Be sure to check all packing material carefully for small parts that may have come loose inside the carton during shipment.

COMPONENT LISTS

NO	DESCRIPTION	QTY
1	 Headboard	1
2	 Footboard	1
3	 Side Rail	2

HARDWARE LISTS

NO	DESCRIPTION	QTY
A	 Wrench	1
B	 Hexagon Bolt 15mm	8
C	 Flat Washer	8
D	 L Bracket	4
E	 Csk screw M3.5 X 16mm	20



EXAMPLE FOR SKETCH ONLY

MADE IN MALAYSIA

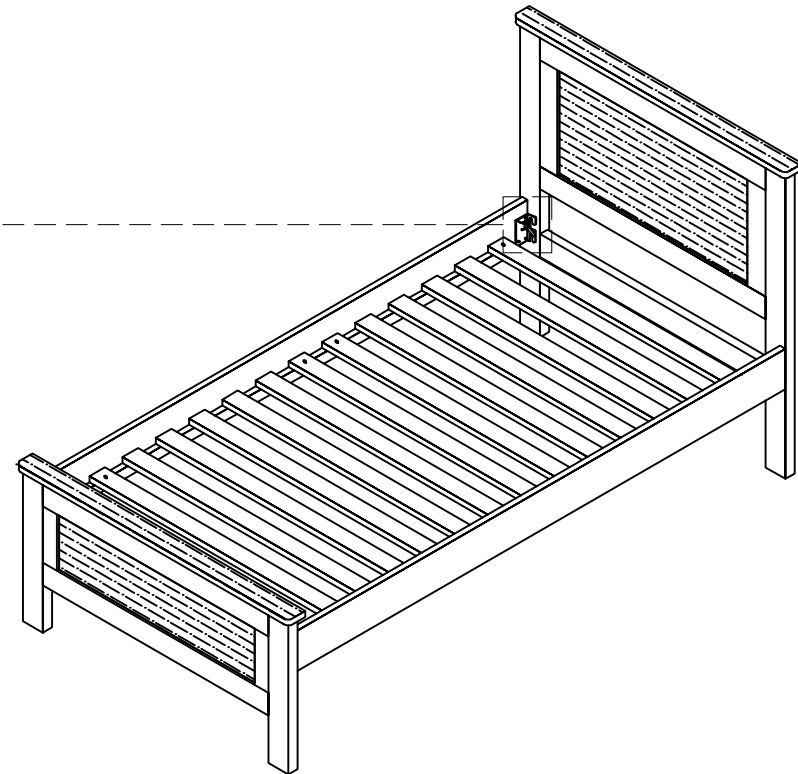
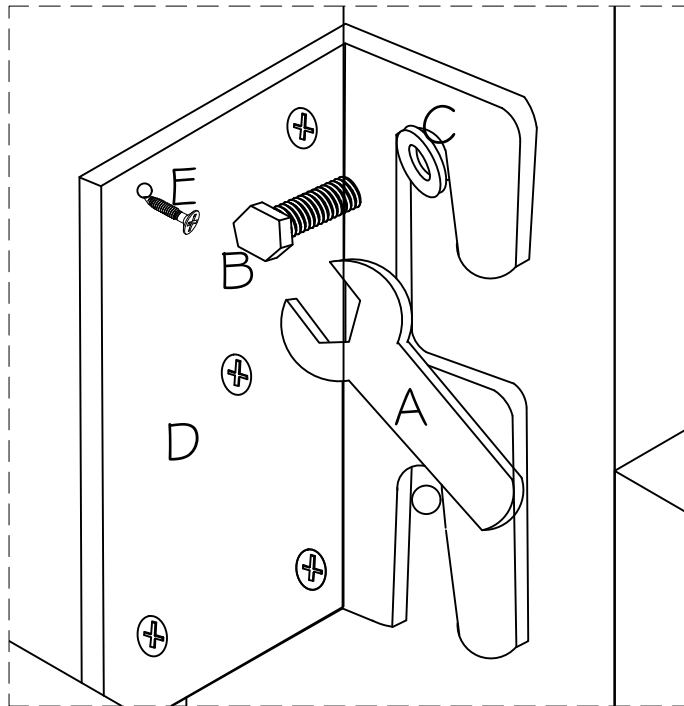
ASSEMBLY INSTRUCTION

LV-2015-172-BED

Thank you for purchasing this quality product. Be sure to check all packing material carefully for small parts that may have come loose inside the carton during shipment.

STEP 1

FIX THE SIDE RAIL WITH HEXAGON BOLT BY USING THE WRENCH AS PER ATTACHED BELOW.



EXAMPLE FOR SKETCH ONLY

MADE IN MALAYSIA