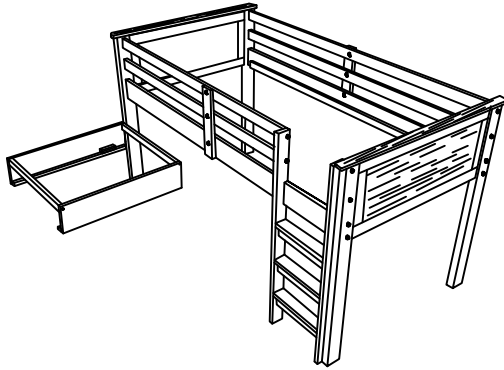


ALASKA - MINI SLEEPER

LV-172-2015

ASSEMBLY INSTRUCTION



ASSEMBLY TIPS

- 1.Remove hardware from box and sort by size.
- 2.Please check to see that all hardware and parts are present prior start of assembly.
- 2.Please follow attached instructions in the same sequence as numbered to assure fast and easy assembly.










Warning !

- 1.Don't attempt to repair or modify parts that are broken or defective.Please contact the store immediately.
- 2.This product is for home use only and not intended for commercial establishments.

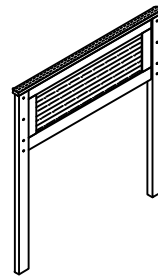
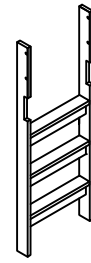
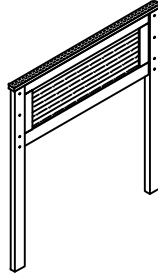

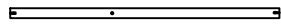
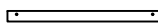
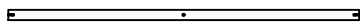



*** TOOL MALLET
(NOT INCLUDED)**



HARDWARE LIST

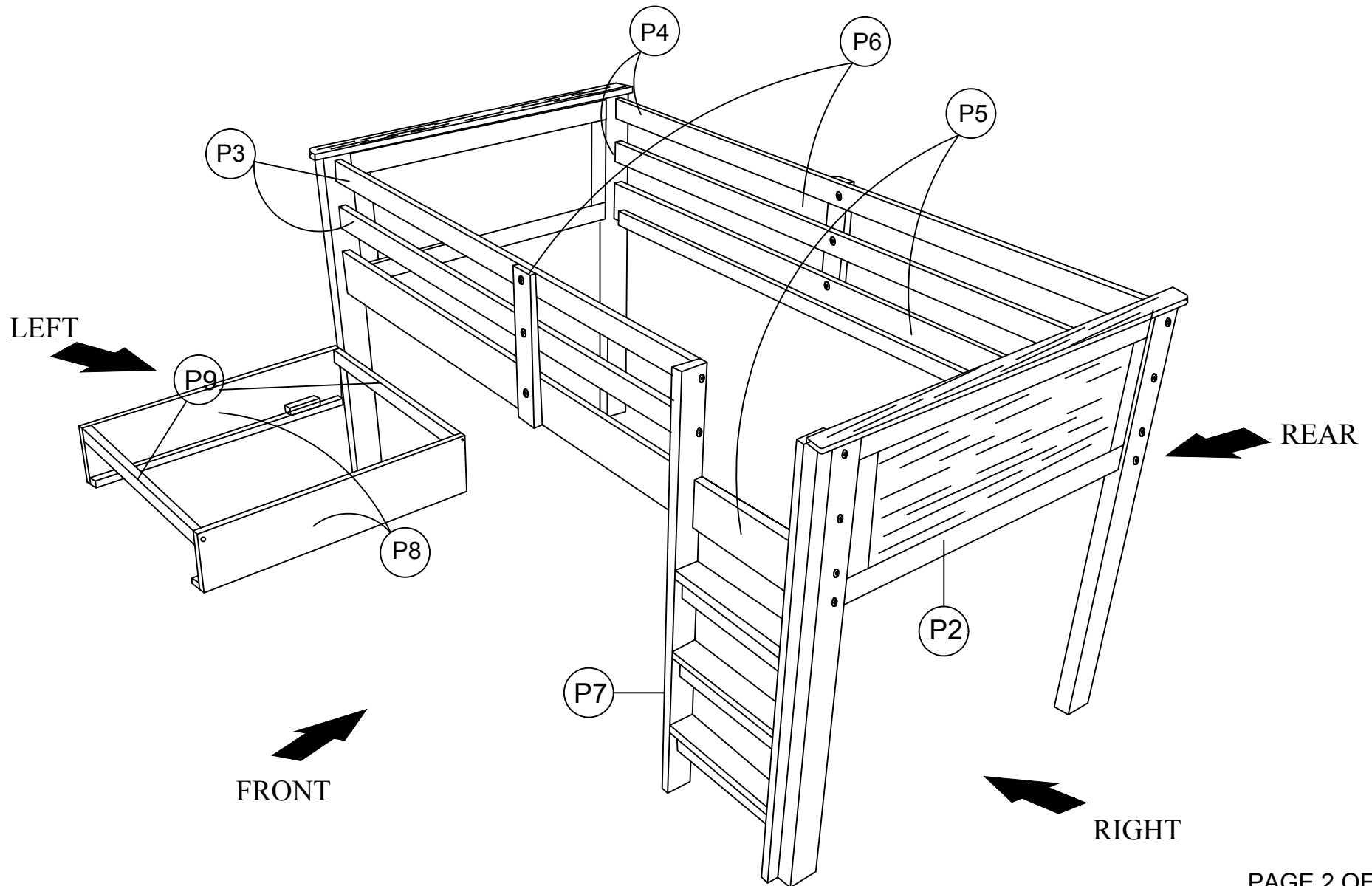
| | | | | | |
|----|---|--------|----|--|--------|
| H1 |  JCBC Screw M6 x 65mm | 14 PCS | H7 |  Plastic Cap | 37 PCS |
| H2 |  JCBC Screw M6 x 45mm | 5 PCS | | | |
| H3 |  JCBC Screw M6 x 30mm | 11 PCS | | | |
| H4 |  M4 Allen Key | 1 PC | | | |
| H5 |  Barrer Nut M6 | 16 PCS | | | |
| H6 |  CSK Screw M4 x 30mm | 8 PCS | | | |

COMPONENT LIST

| | | | | | |
|----|---|------|-----|---|------|
| P1 |  HEAD BOARD | 1PC | P8 |  LADDER | 1PC |
| P2 |  FOOT BOARD | 1PC | P9 |  SIDE PANEL TRACK | 2PCS |
| P3 |  FRONT GUARD RAIL | 2PCS | P10 |  STRIP | 2PCS |
| P4 |  REAR GUARD RAIL | 2PCS | | | |
| P5 |  SIDE RAIL WITH SIDE RAIL SUPPORT (FRONT) | 1PC | | | |
| P6 |  SIDE RAIL WITH SIDE RAIL SUPPORT (REAR) | 1PC | | | |
| P7 |  GUARD RAIL SUPPORT (FRONT & REAR) | 2PCS | | | |

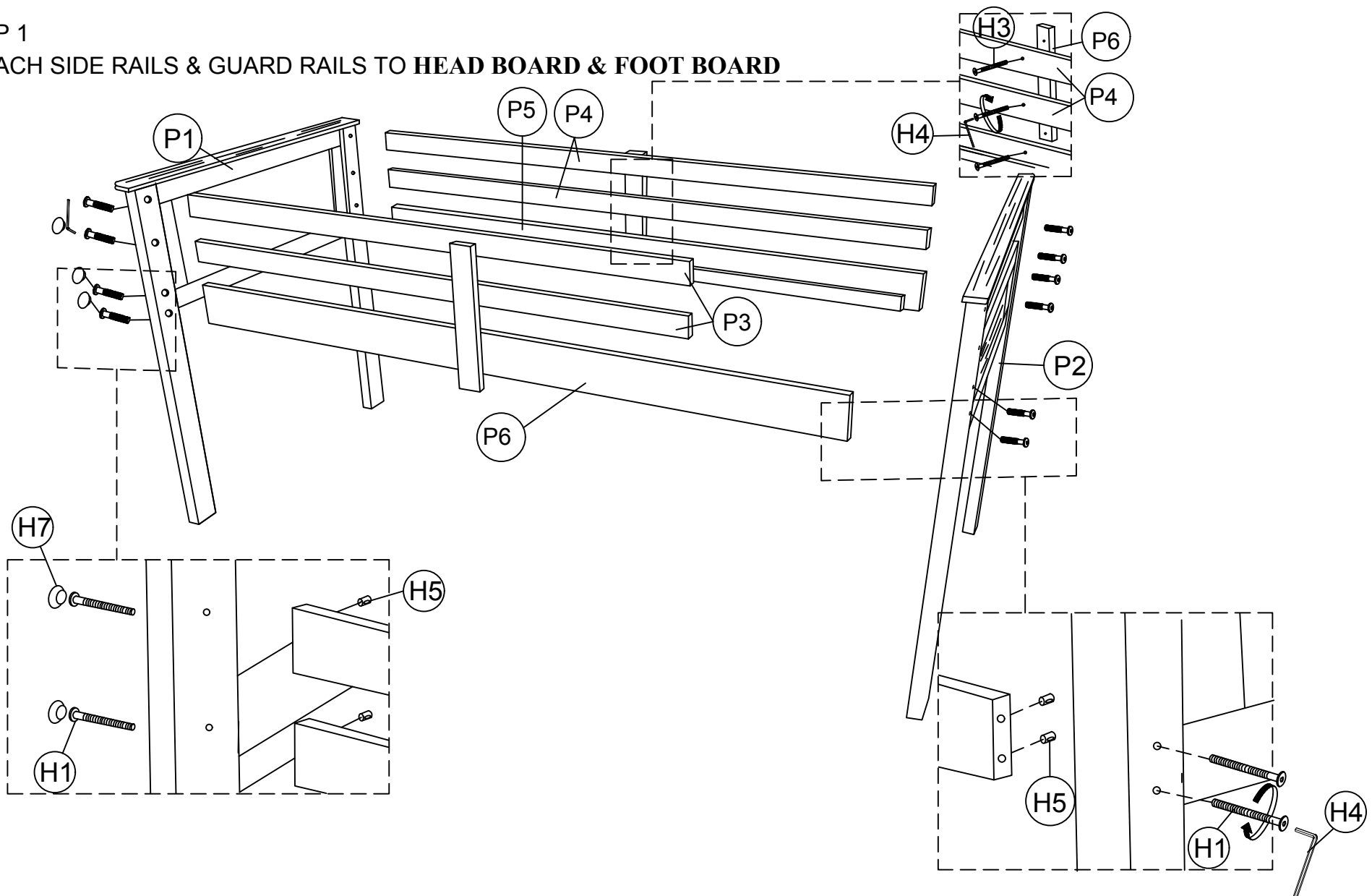
IMPORTANT !
DO NOT OVER
TIGHTEN SCREWS.

All Components are Numbered. Please Follow These Carefully Whilst Assembling.

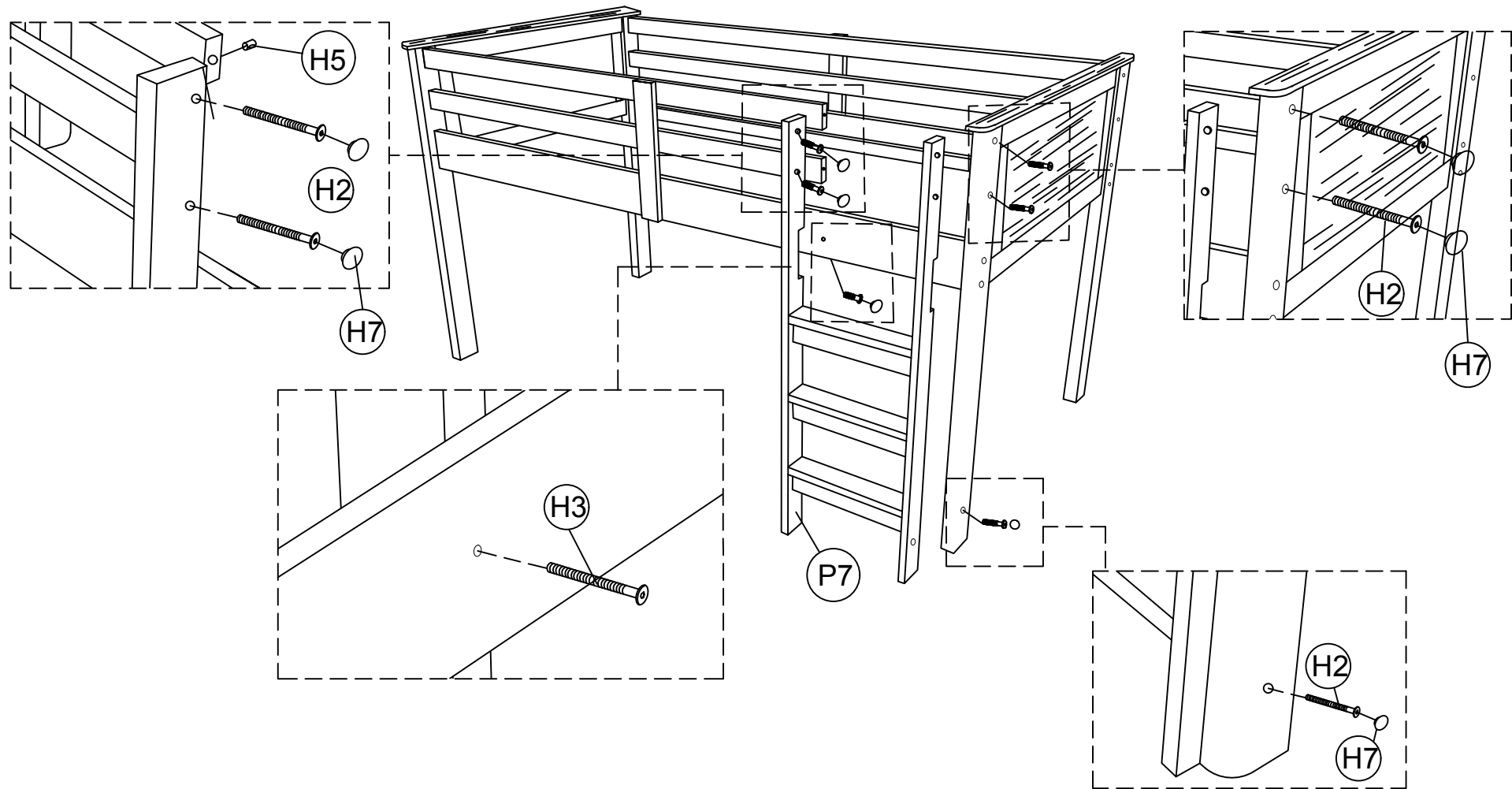


STEP 1

ATTACH SIDE RAILS & GUARD RAILS TO HEAD BOARD & FOOT BOARD

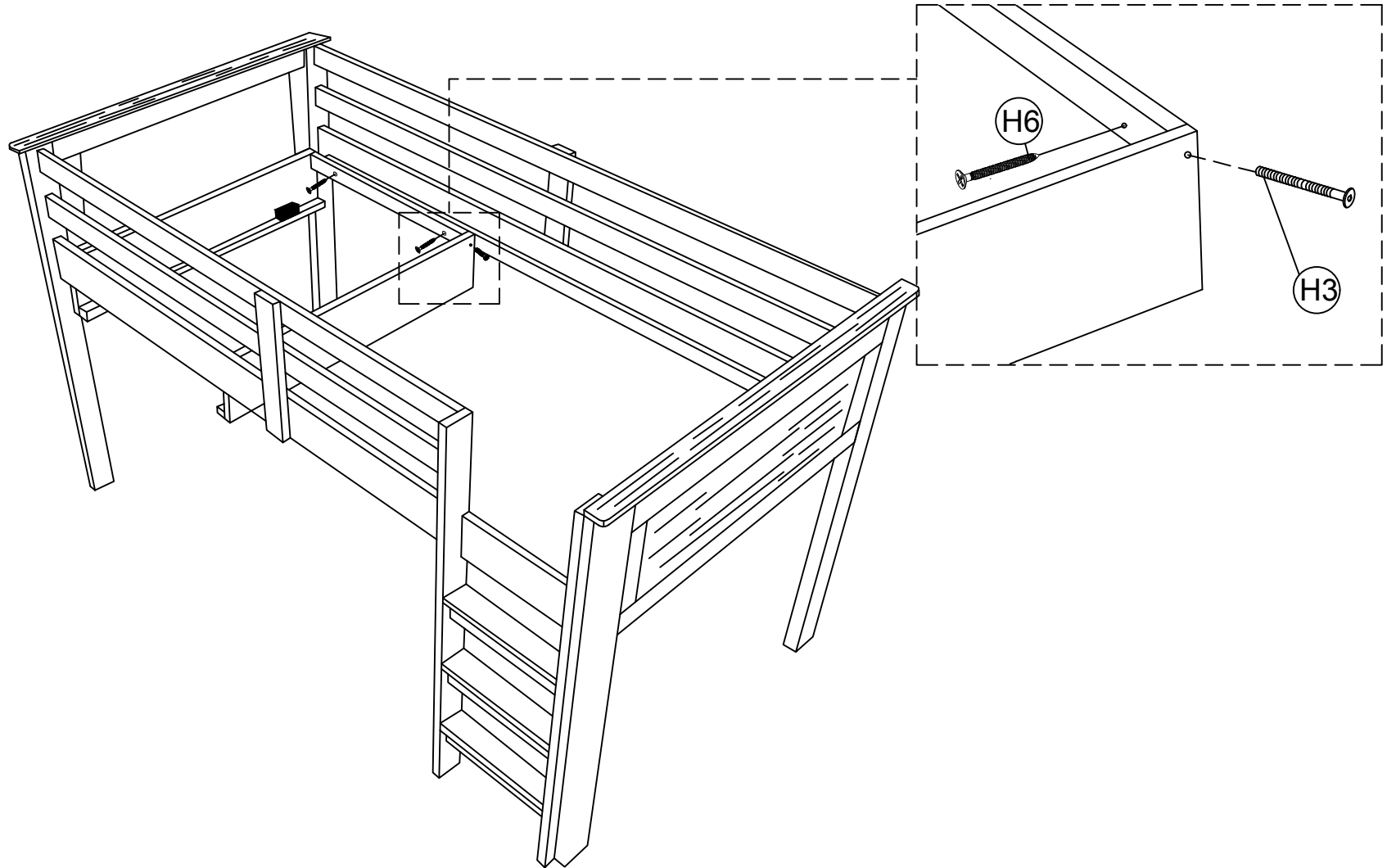


STEP 2
ATTACH LADDER TO MINI SLEEPER



STEP 3

ATTACH STRIP AND SIDE PANEL TRACK TO MINI SLEEPER



STEP 4

PUT IN TOP PANEL OF THE DESK TO THE ROLLER TRACK.
PULL OUT THE TOP PANEL AND USE CSK SCREW TO ATTACH THE DESK WITH THE TOP.

