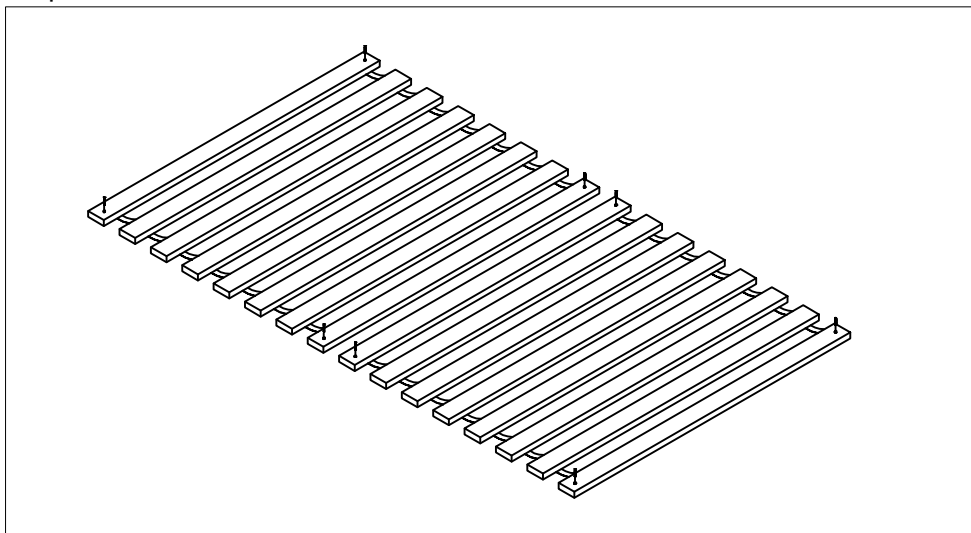


# ASSEMBLY INSTRUCTION

## LV-2016-185 SLAT BASE (SINGLE BED)

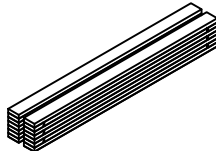
Thank you for purchasing this quality product. Be sure to check all packing material carefully for small parts that may have come loose inside the carton during shipment.



### HARDWARE LISTS

NO	DESCRIPTION	QTY
A	 CSK Screw Ø4 X 38mm	16

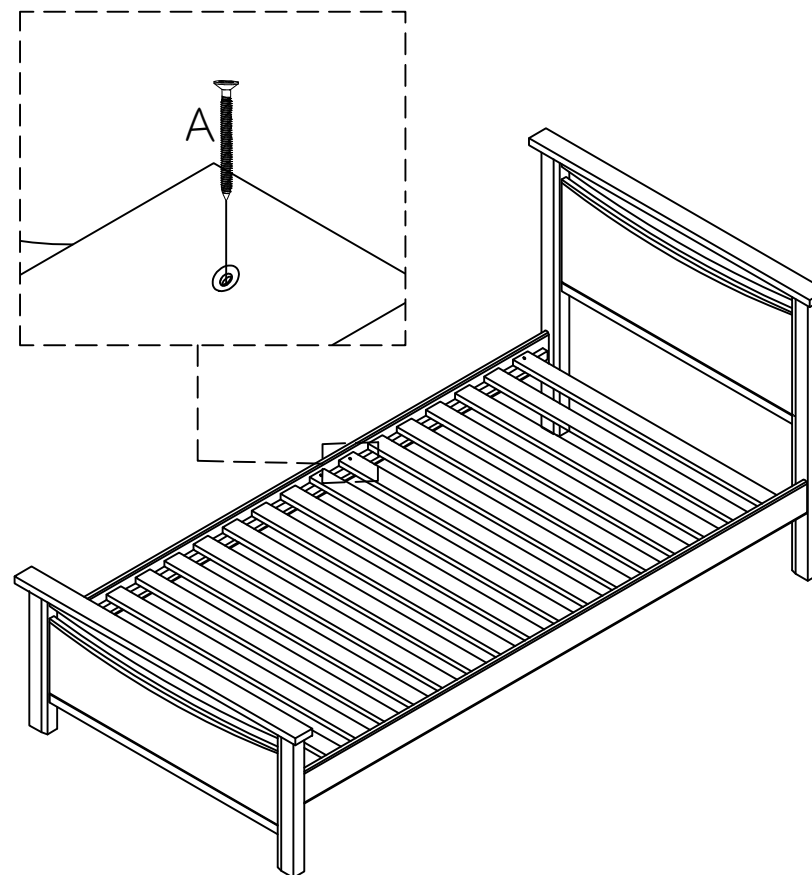
### COMPONENT LISTS

NO	DESCRIPTION	QTY
1	 Slat Base	14

EXAMPLE FOR SKETCH ONLY

### STEP 1

Put slat on the side rail and fix CSK Screws at holes as show.



MADE IN MALAYSIA