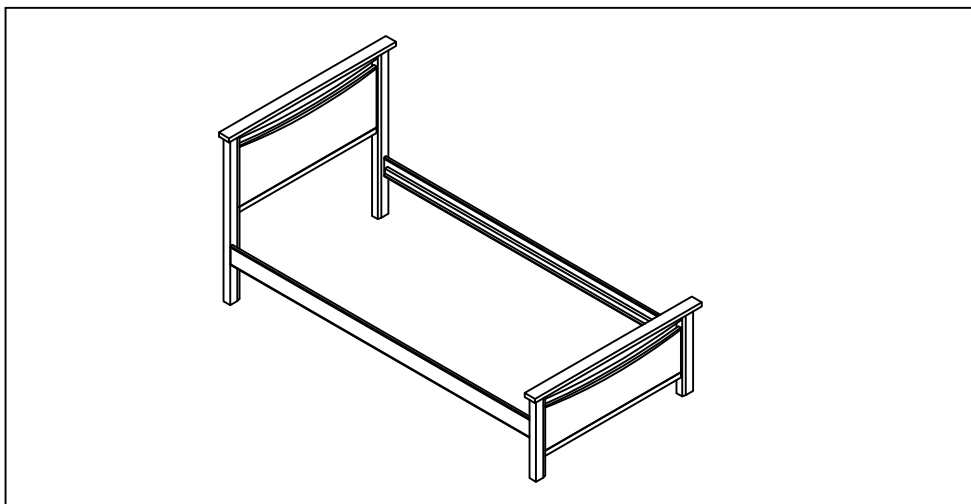




ASSEMBLY INSTRUCTION

LV-2016-185 Single Bed/King Single Bed

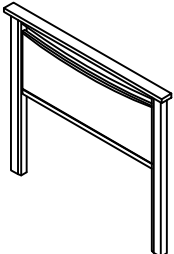
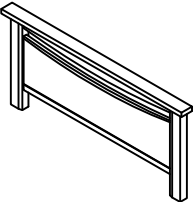
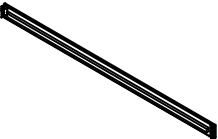
Thank you for purchasing this quality product. Be sure to check all packing material carefully for small parts that may have come loose inside the carton during shipment.



HARDWARE LISTS

NO	DESCRIPTION	QTY	NO	DESCRIPTION	QTY
A	 JCBB Ø8 X 25mm	12	B	 Allen Key M5	1

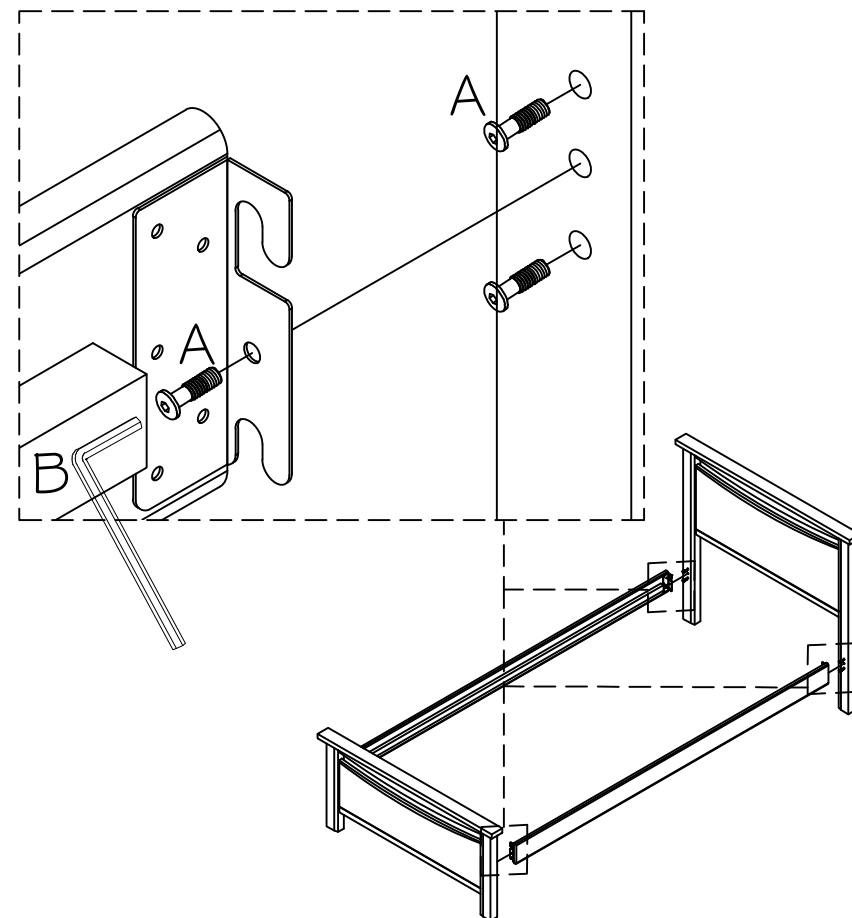
COMPONENT LISTS

NO	DESCRIPTION	QTY	NO	DESCRIPTION	QTY
1	 Headboard	1	3	 Footboard	1
2	 Side Rail	2			

EXAMPLE FOR SKETCH ONLY

STEP 1

Pre-screw JCBB screw into position on Headboard and Footboard legs as shown. Hook the side rail to the JCBB screws and fix the centre JCBB screw as shown. Use allen key to tighten the JCBB screw until totally in.



MADE IN MALAYSIA