






ASSEMBLY INSTRUCTIONS

MODEL: B6077 ASTORIA DRESSER

Thank you for purchasing this quality product. Be sure to check all packing material carefully for small parts which may have come loose inside the carton during shipment. Identify and count all parts and compare with hardware list as below:

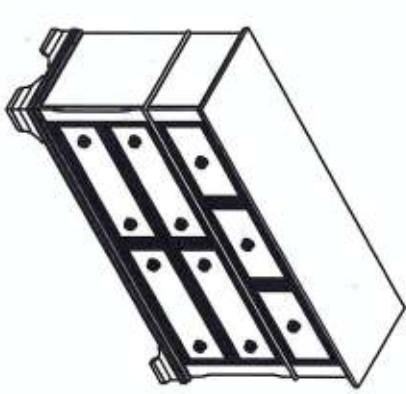
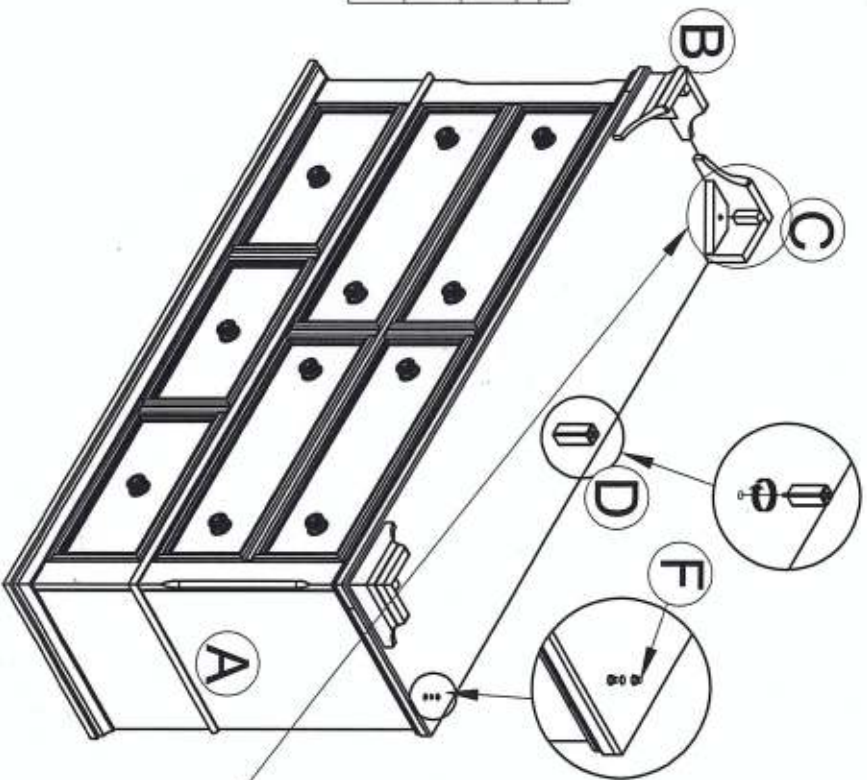
STEP 1

(BOX 1) BOX OF DRESSER			
ITEM	DRAWING	DESCRIPTION	QTY
A		CHEST	1
B		BOTTOM LEG (FRONT)	2
C		BOTTOM LEG (BACK)	2
D		SUPPORT LEG	1

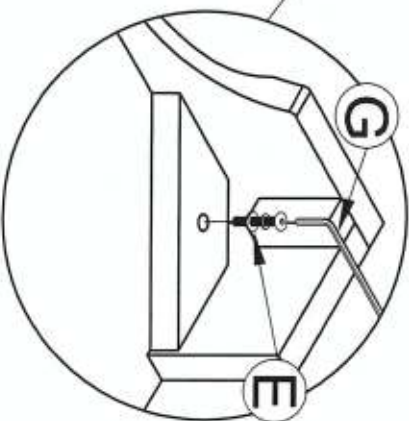
(BOX 1) BOX OF DRESSER (HARDWARE LIST)				
ITEM	DRAWING	DESCRIPTION	DIMENSION	QTY
E		JCBB (M8) WITH WASHER	8 x P1.0 x 35MM	4
F		WD (M10)	8 x 30MM	8
G		ALLEN KEY M5	5 x 35 x 55MM	1

Step 1: Attach and tighten the DRESSER bottom leg (B) & (C) to the bottom frame insert WD (F) and JCBB (E) With Washer as shown.

Step 2: Affix the Leg Support (D) to DRESSER (A) as shown. Loosen or tighten Leg Support (D) as necessary to level the DRESSER.



COMPLETED ASSEMBLY



NOTE: MUST TIGHTEN SCREW PERIODICALLY WITH USE. SCREWS WILL BECOME LOOSE CHECK THROUGHT OF ALL SCREWS EVERY 6-8 WEEKS. CLEANING INSTRUCTION

THE ANTI TIPPING HARDWARE IS LOCATED IN THE DRESSER BACK

THE HARDWARE IS LOCATED IN THE PACKING ITEMS

MADE IN MALAYSIA