

# ASSEMBLY INSTRUCTIONS

MODEL: B6077 ASTORIA DRESSER & ASTORIA DRESSER TOP

Thank you for purchasing this quality product. Be sure to check all packing material carefully for small parts which may have come loose inside the carton during shipment. Identify and count all parts and compare with hardware list as below:

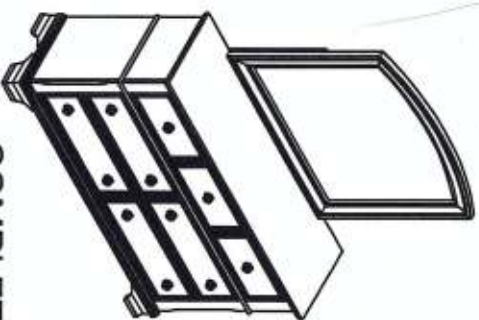
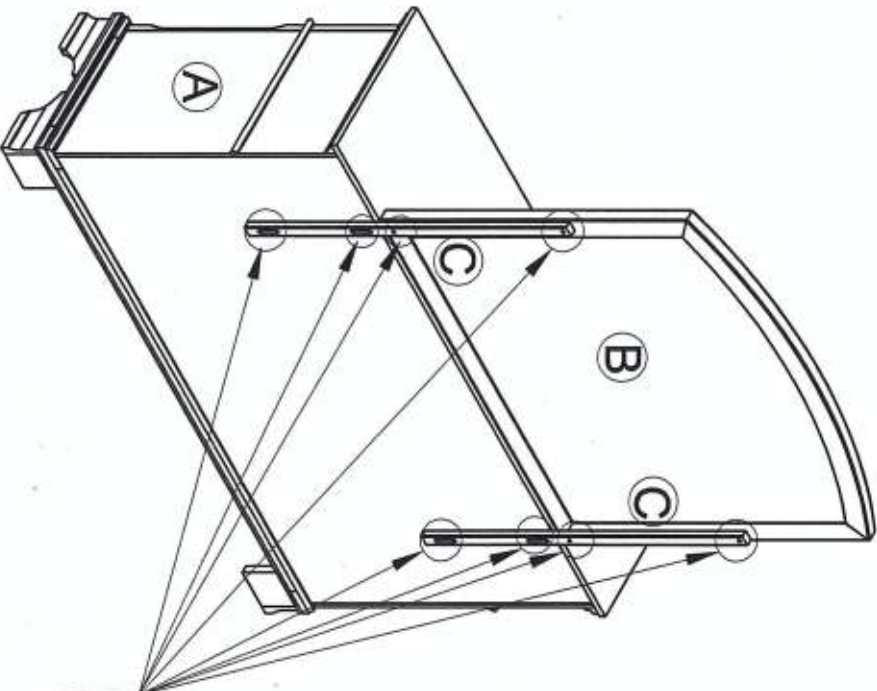
## STEP 1

(BOX 1) BOX OF DRESSER		
ITEM DRAWING	DESCRIPTION	QTY
A	DRESSER	1

(BOX 2) BOX OF MIRROR		
ITEM DRAWING	DESCRIPTION	QTY
B	MIRROR	1
C	MIRROR SUPPORT (L & R)	2

(BOX 2) BOX OF MIRROR (HARDWARE LIST)			
ITEM DRAWING	DESCRIPTION	DIMENSION	QTY
D	JCBC (M6) WITH WASHER	6 x P1.0 x 35MM	8
E	ALLEN KEY M4	4 x 35 x 65MM	1

**Step 1:** Attach and tighten the Mirror Support (C) to the Dresser Mirror Support (A) and Mirror frame (B) at back, insert JCBC (M6) With Washer (D) as shown.



COMPLETED ASSEMBLY



NOTE: MUST TIGHTEN SCREW PERIODICALLY WITH USE. SCREWS WILL BECOME LOOSE. CHECK TIGHT OF ALL SCREWS EVERY 6-8 WEEKS. CLEANING INSTRUCTION

THE HARDWARE IS LOCATED IN THE PACKING ITEMS

MADE IN MALAYSIA