

# ASSEMBLY INSTRUCTIONS

MODEL : B6077 ASTORIA FOOTBOARD

Thank you for purchasing this quality product. Be sure to check all packing material carefully for small parts which may have come loose inside the carton during shipment. Identify and count all parts and compare with hardware list as below:

(BOX 1) BOX OF HEAD BOARD		
ITEM DRAWING	DESCRIPTION	QTY
A	HEAD BOARD	1

(BOX 2) BOX OF FOOT BOARD		
ITEM DRAWING	DESCRIPTION	QTY
B	FOOT BOARD	1
C	FB LEG	2
D	LEG SUPPORT FOR FB	2
E	SLAT	10
F	CENTER SLAT	1
G	SUPPORT LEG	4

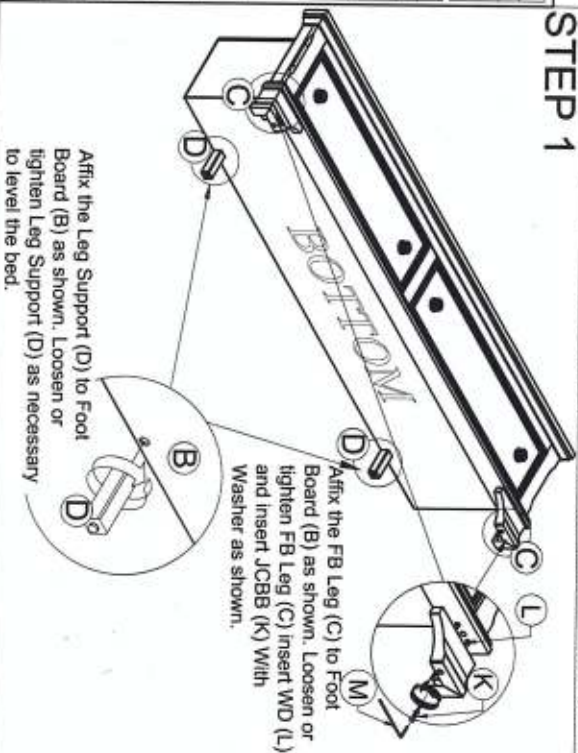
(BOX 3) BOX OF SIDE RAILS		
ITEM DRAWING	DESCRIPTION	QTY
H	SIDE RAIL (L&R)	2

(BOX 2) BOX OF FOOT BOARD (HARDWARE LIST)			
ITEM DRAWING	DESCRIPTION	DIMENSION	QTY
I	C.S.K SCREW (M4)	4 X 32MM	6
J	JCBB (M6) WITH WASHER	6 x P1.0 x 35MM	3
K	JCBB (M6) WITH WASHER	6 x P1.0 x 100MM	2
L	WD (M10)	8 x 30MM	4
M	ALLEN KEY M4	4 x 65MM	1

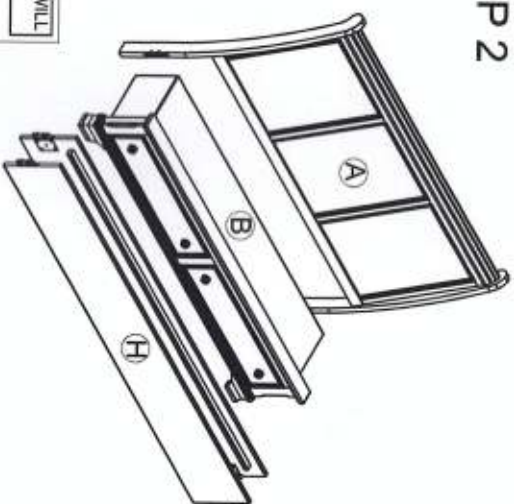
Screw Driver is not included



## STEP 1



## STEP 2



COMPLETED ASSEMBLY

NOTE: MUST TIGHTEN SCREW PERIODICALLY WITH USE. SCREWS WILL BECOME LOOSE CHECK TIGHT OF ALL SCREWS EVERY 6-8 WEEKS. CLEANING INSTRUCTION

After assembled, clean & polish the complete parts if necessary with soft cloth using industrial recognized furniture polish.

MADE IN MALAYSIA