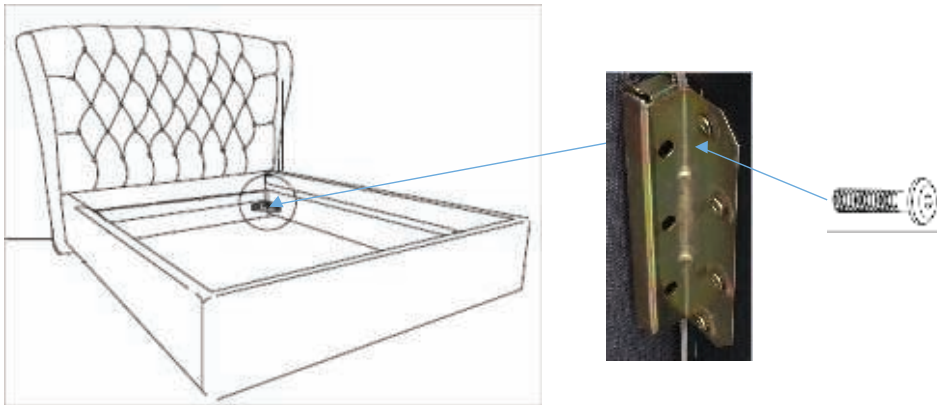


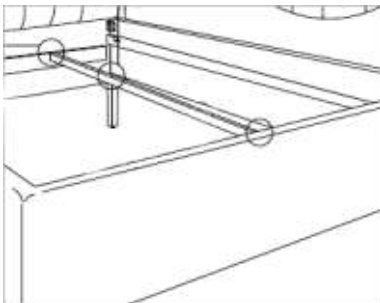
# BED ASSEMBLY



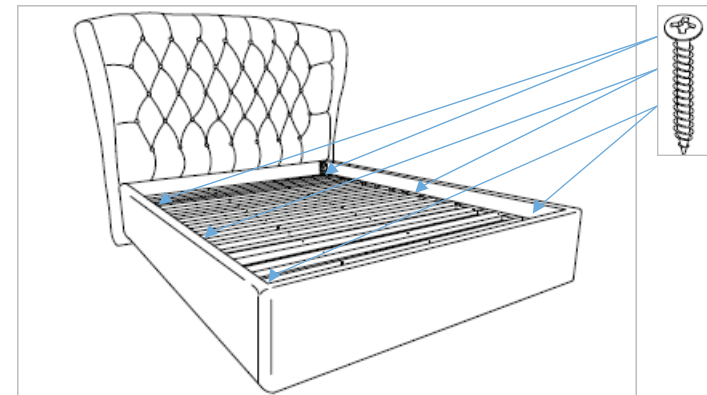
**Step 1.** Attach bed brackets in each corner by inserting 3 bolts in each bracket with Screw Driver.  
Total 12 bolts 10x10mm



**Step 2.** Attach middle support



**Step 3.** Attach slat base by inserting 6 screws at each end and middle section. Total 6 x 35mm



**WARNING: DO NOT OVER TIGHTEN**