

ASSEMBLY INSTRUCTION

DESCRIPTION: Type 31 BABY BOOM

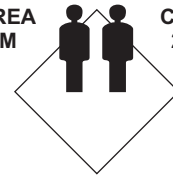
2.5 hrs

APPROXIMATE ASSEMBLY TIME
EXCLUDING GLUE SETTING TIME

2 PERSON ASSEMBLY

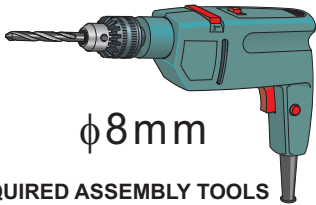


FLOOR AREA
2,5M X 2,5M



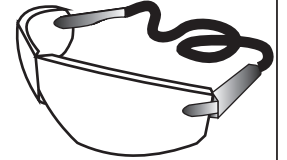
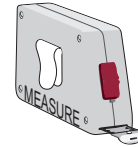
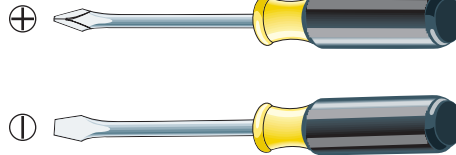
CEILING HEIGHT
2,0M

REQUIRED ASSEMBLY SPACE

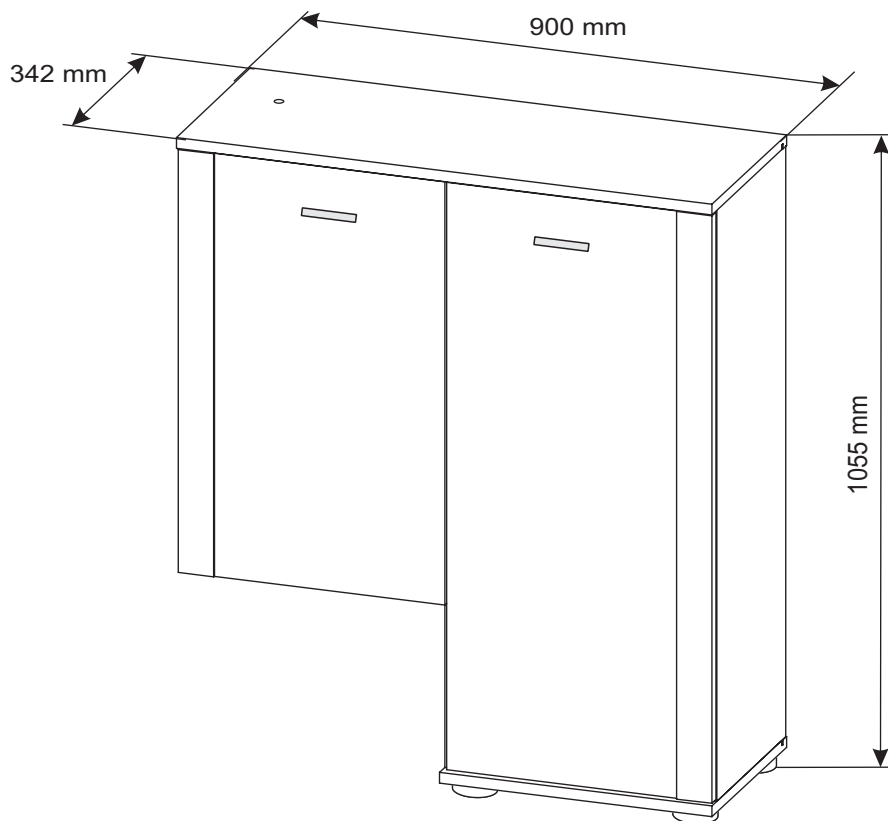


$\phi 8\text{mm}$

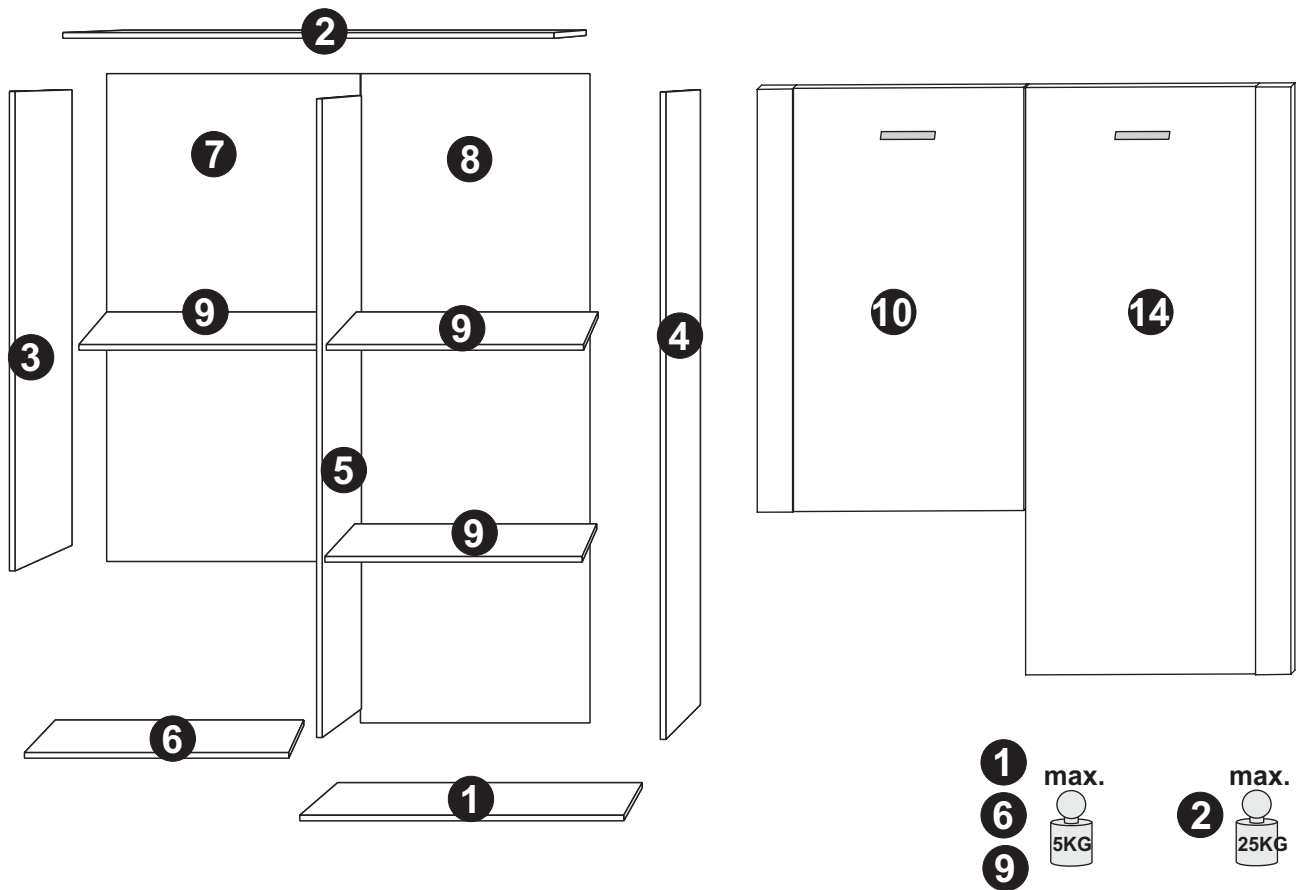
REQUIRED ASSEMBLY TOOLS



ASSEMBLED DIMENSIONS



PART LIST

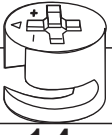
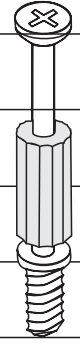


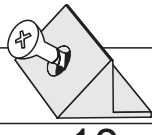
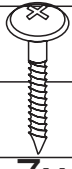
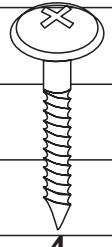


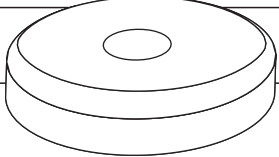
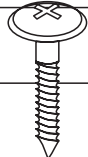


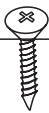
NO. PARTS LIST

QTY

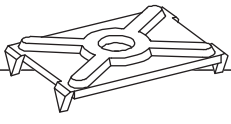
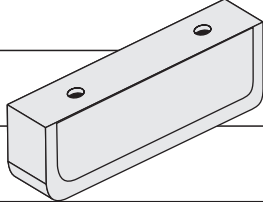
(1) BOTTOM PANEL	1
(2) TOP PANEL	1
(3) LEFT SIDE PANEL	1
(4) RIGHT SIDE PANEL	1
(5) CENTER DIVIDER	1
(6) HORIZONTAL DIVIDER	1
(7) LEFT BACK PANEL	1
(8) RIGHT BACK PANEL	1
(9) SHELF	3
(10) LEFT DOOR	1
(14) RIGHT DOOR	1

HARDWARE LIST

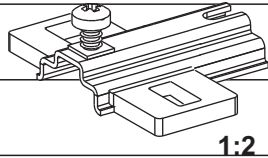
						
14x 15x12mm	14x	14x 8x28mm	10x	10x	7x 3x20mm	4 4x30mm
A	B	C	D	E	F	F2
CAM LOCK	CAM BOLT	DOWEL	CAM COVER	SECURING BRACKET	SCREW	SCREW

				
4x	4x 4x22mm	4x	10x 6,3x13mm	10x 3,5x13mm
G	G1	H	L1	M.
NYLON FOOT	SCREW	PEG	GRUB SCREW	SCREW



	
4x	2x L-64
N	O
METAL PLATE	HANDLE

HARDWARE LIST



5x
H-2

V

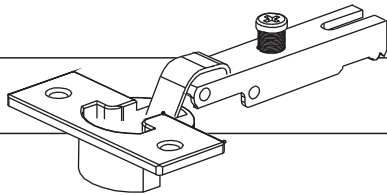
HINGE PLATE



12x
5x16mm

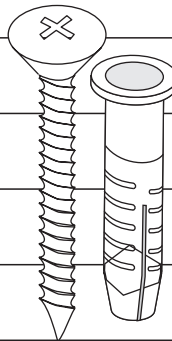
Z

SHELF
SUPPORT



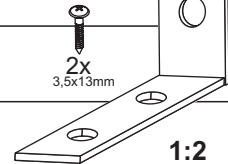
1:2

5x
kr0
W1
HINGE



1x
4x35mm

R
PLASTIC
DOWEL



2x
3,5x13mm

1:2

1x

T
ANGLE



Top Tips before you start!

1. Please check that all parts are present before you start the assembly of your furniture, as once assembled, the furniture is exempt from our home approval policy.
2. For ease and speed of assembly, we recommend that before you commence each step of the assembly, that you identify all the parts required for that step.
3. For larger items, please ensure that you have sufficient space and people (as indicated on page 1) to assemble your product safely.
4. We recommend that, where possible, all items are assembled near to the area in which they will be placed in use, to avoid moving the product unnecessarily once assembled.
5. For the protection of your furniture, particularly items of high gloss finish, we recommend that the product is placed on a protected surface during assembly to prevent any damage.
6. During assembly please take care not to over-tighten any fittings, as this may damage the product .

Care and Maintenance of your Furniture

Please periodically check all fittings and re-tighten as necessary.

Please do not sit or stand on this item.

Never allow any kind of liquid to remain on your furniture. Absorption can cause wood to warp or finishes to de-laminate.

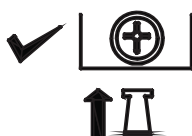
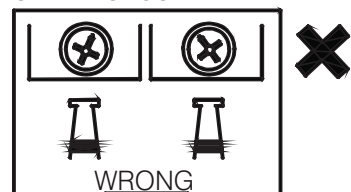
Please do not drag and pull your furniture.

SPECIAL TIPS FOR FITTING CAM-LOCKS AND CAM-PILLARS

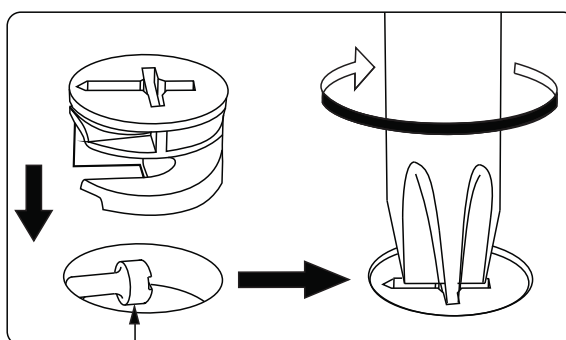
CAM-LOCK



WHEN FITTING CAMS
ENSURE STARTING POSITION IS CORRECT
BEFORE YOU INSERT CONNECTING CAM-PILLAR
TURN CLOCKWISE UNTIL SECURE

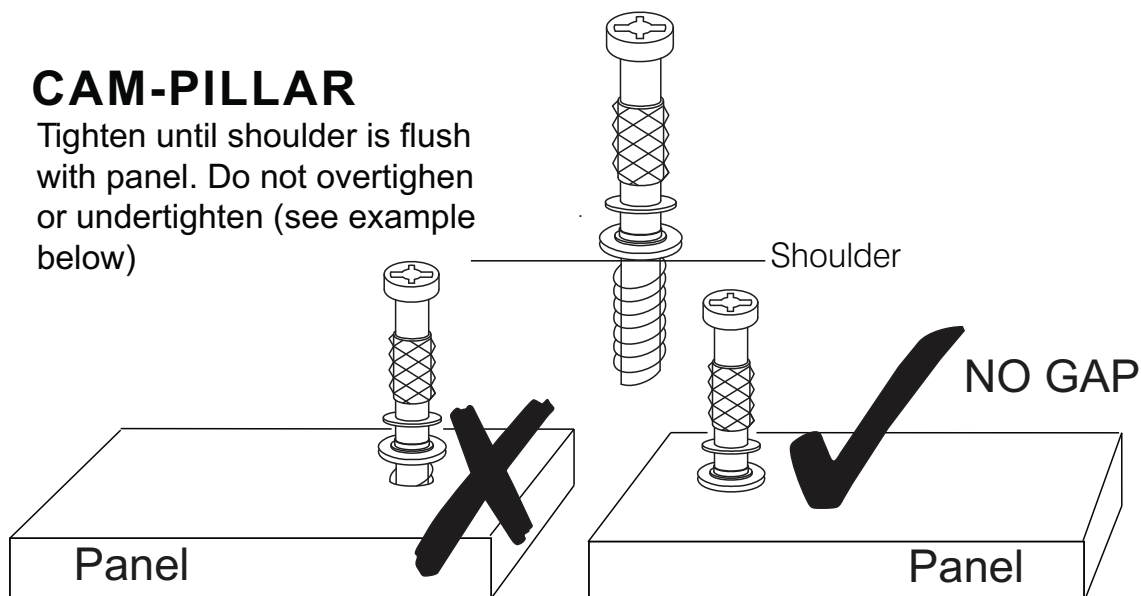
Align with long point of cross



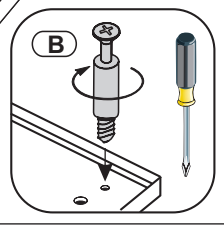
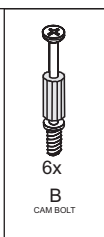
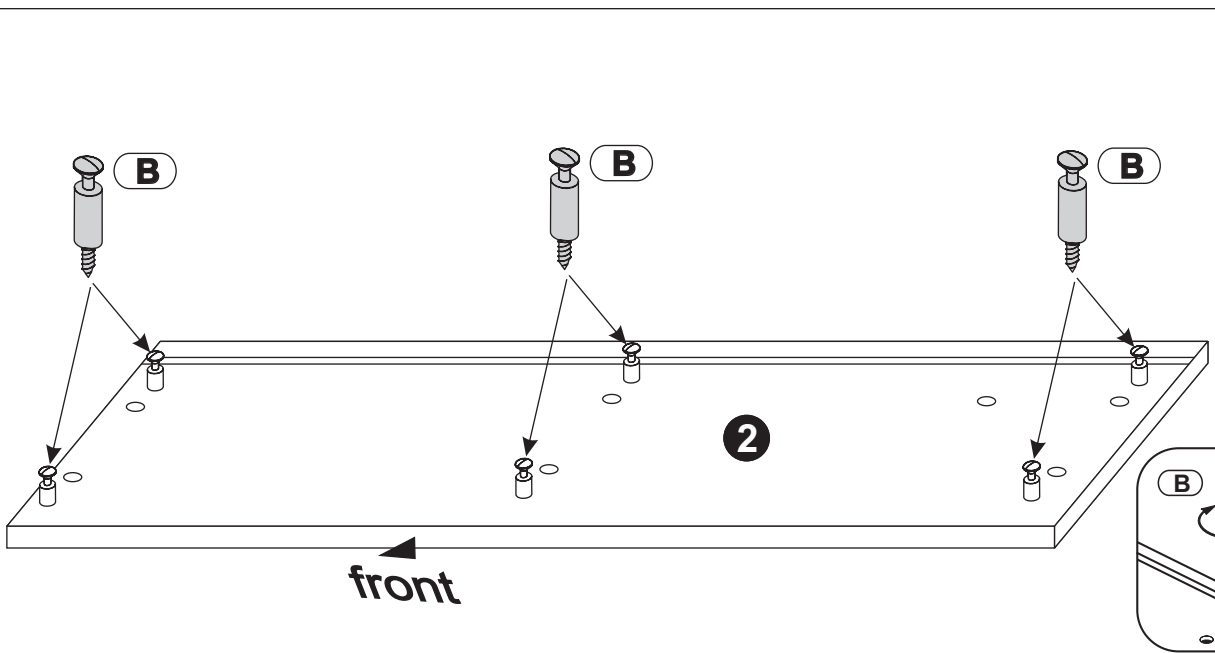
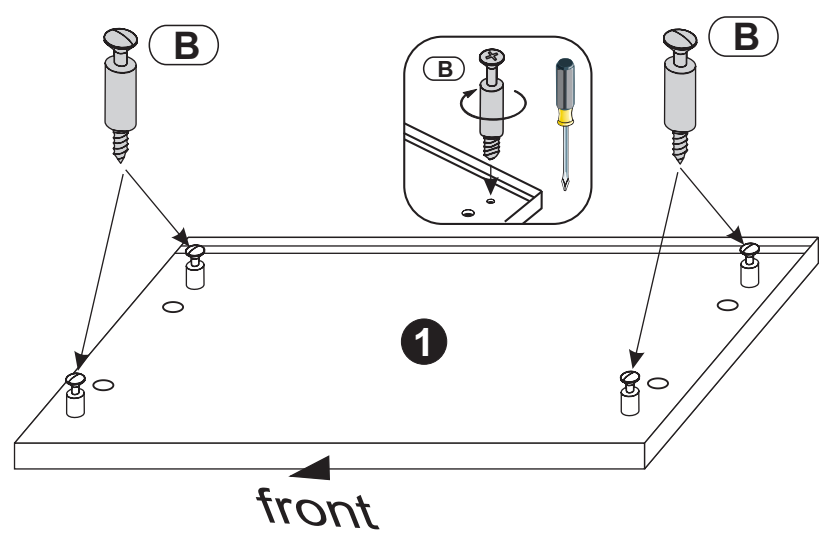
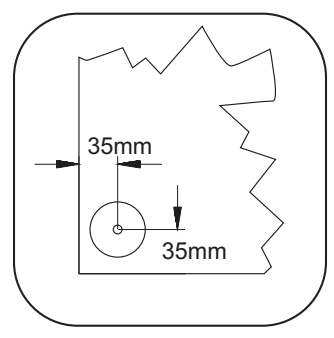
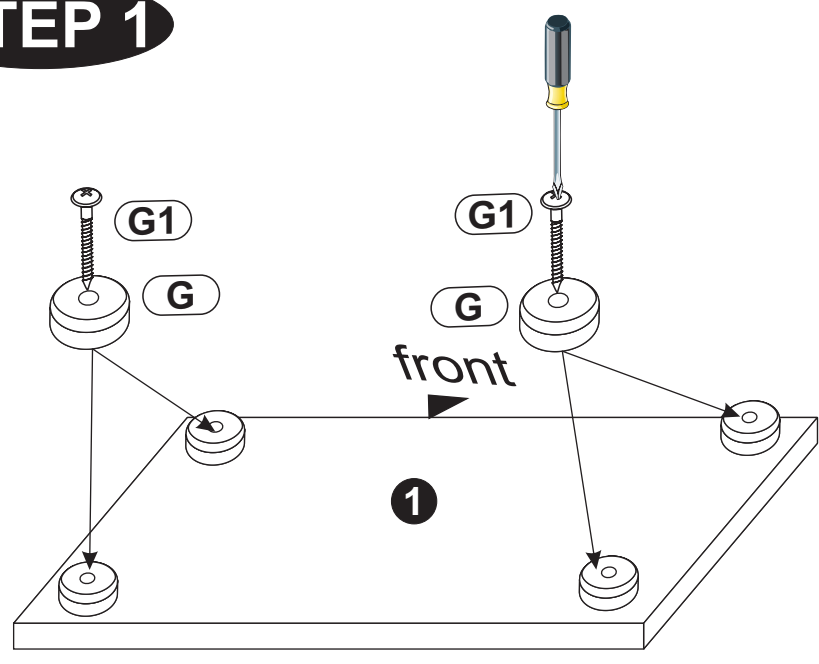
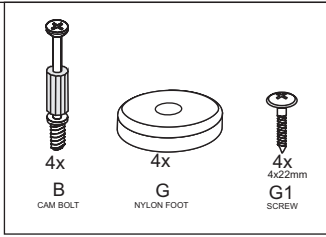
Pillar head needs to be in centre

CAM-PILLAR

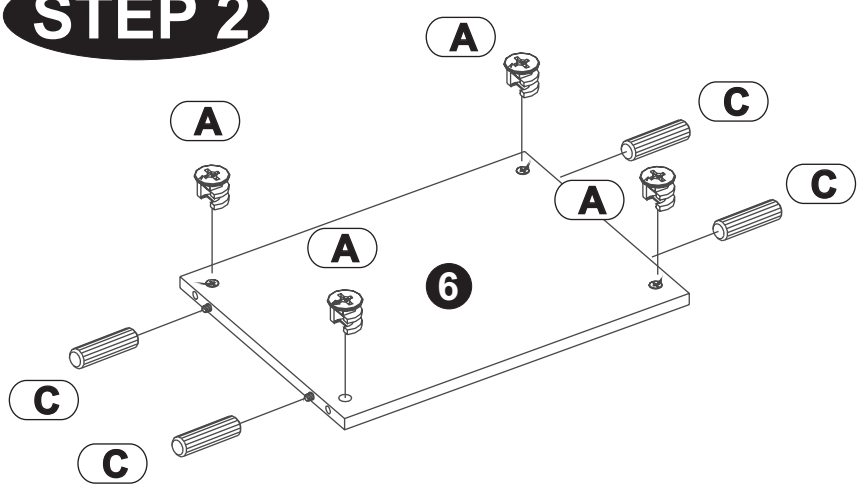
Tighten until shoulder is flush with panel. Do not overtighten or undertighten (see example below)



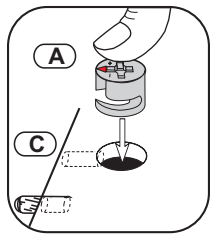
STEP 1



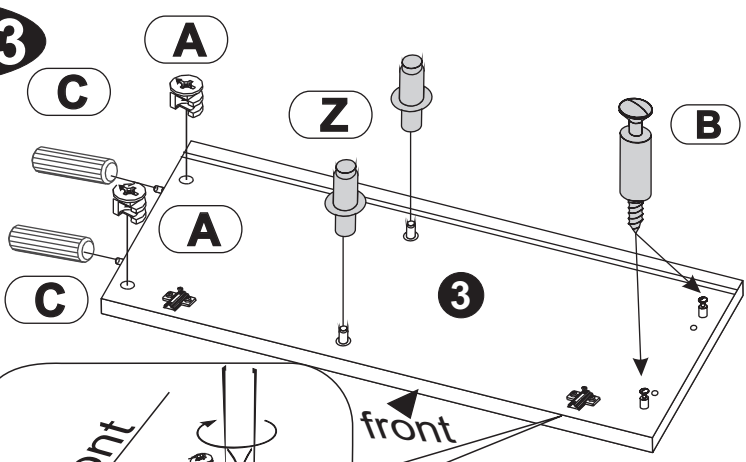
STEP 2



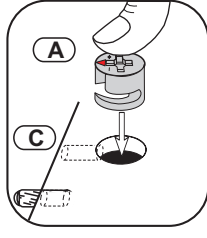
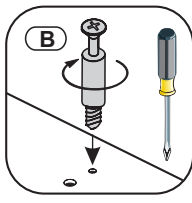
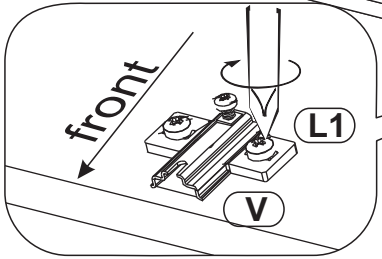
- 4x 15x12mm
A
CAM LOCK
- 4x 8x28mm
C
DOWEL



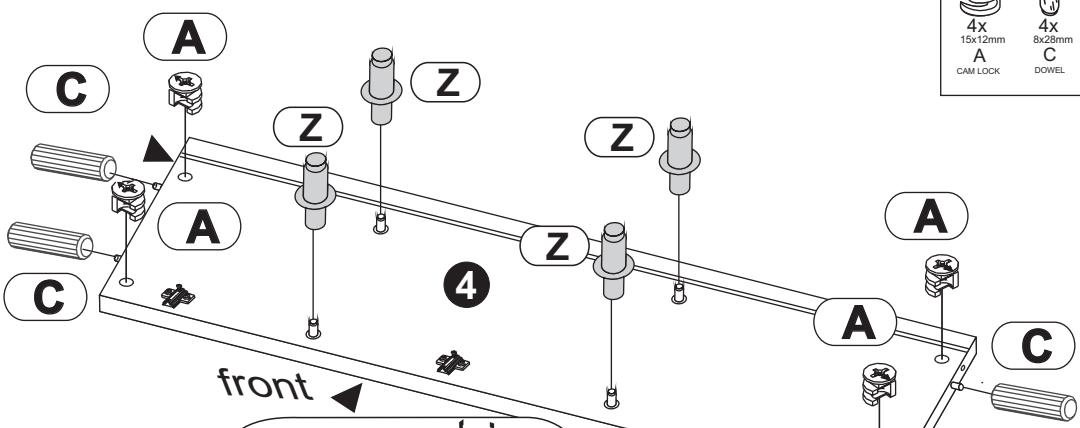
STEP 3



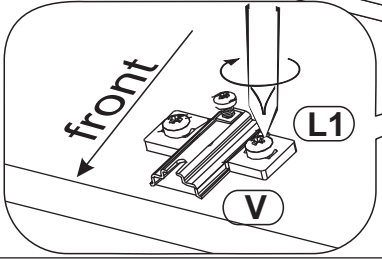
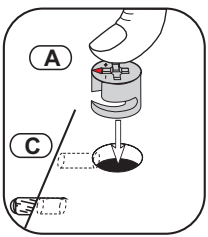
- 2x 15x12mm
A
CAM LOCK
- 2x
B
CAM BOLT
- 2x 8x28mm
C
DOWEL
- 2x H-2
V
HINGE PLATE
- 1:2
4x 6,3x13mm
L1
GRUB SCREW
- 2x
Z
SHELF SUPPORT



STEP 4

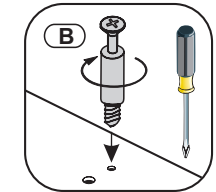
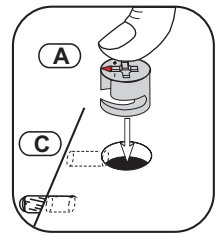
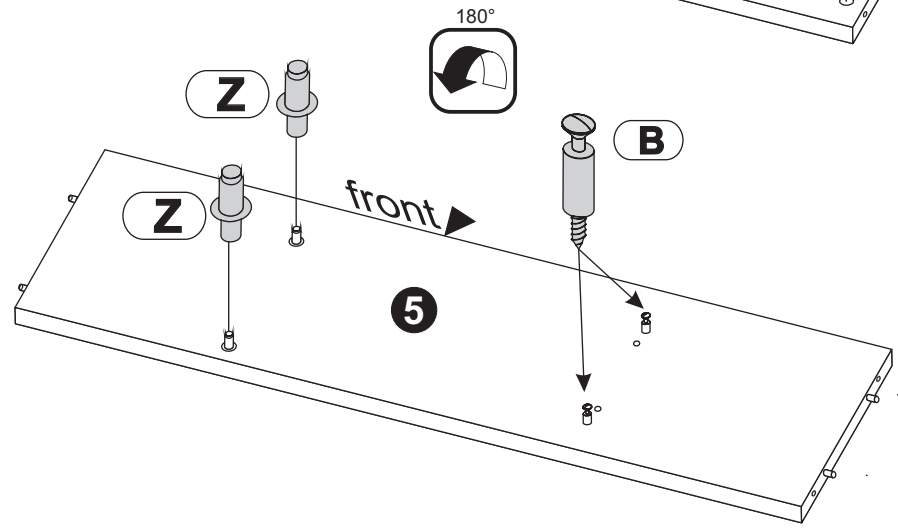
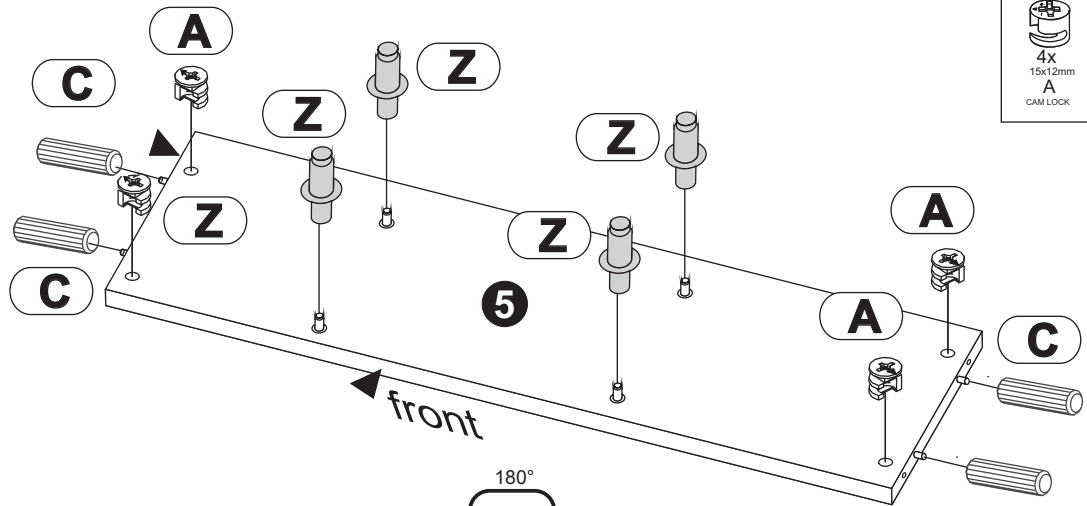


- 4x 15x12mm
A
CAM LOCK
- 4x 8x28mm
C
DOWEL
- 4x 5x16mm
Z
SHELF SUPPORT
- 3x H-2
V
HINGE PLATE
- 1:2
6x 6,3x13mm
L1
GRUB SCREW

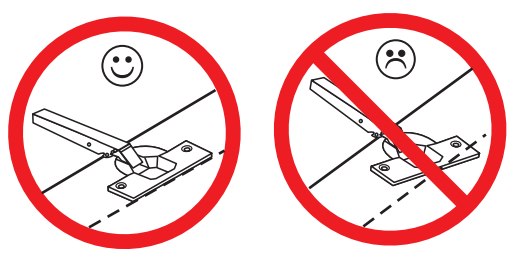


STEP 5

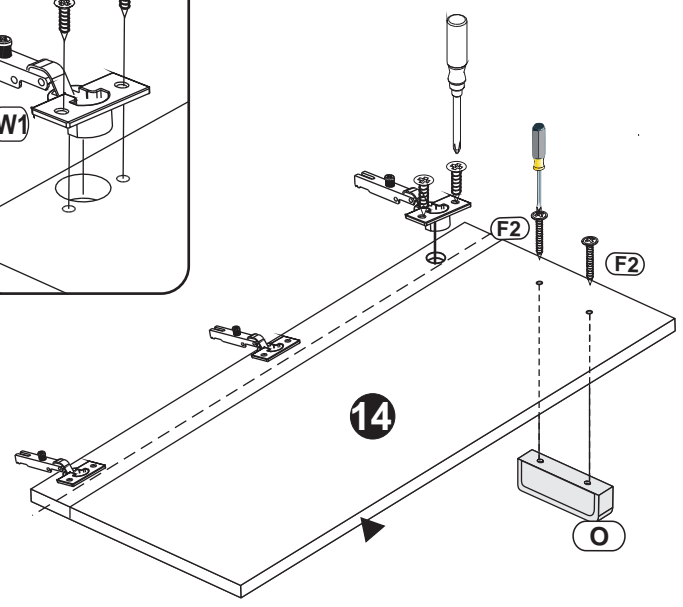
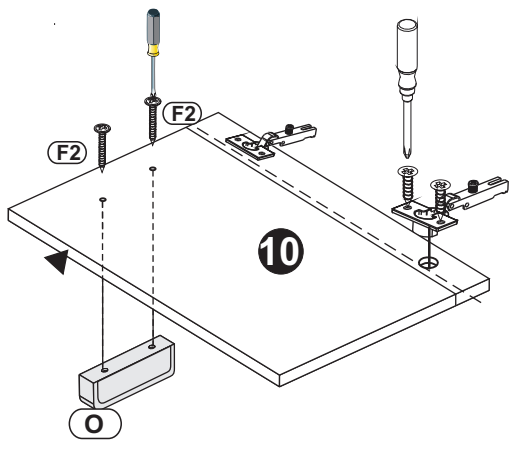
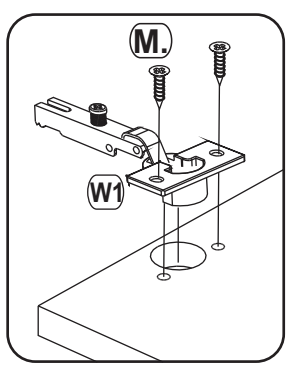
- 4x 15x12mm
A
CAM LOCK
- 2x
B
CAM BOLT
- 4x
C
DOWEL
- 6x 5x16mm
Z
SHELF SUPPORT



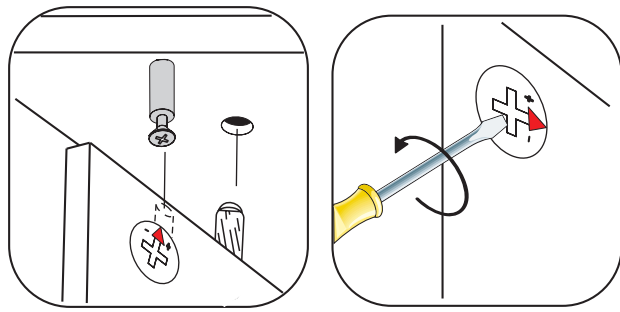
STEP 6



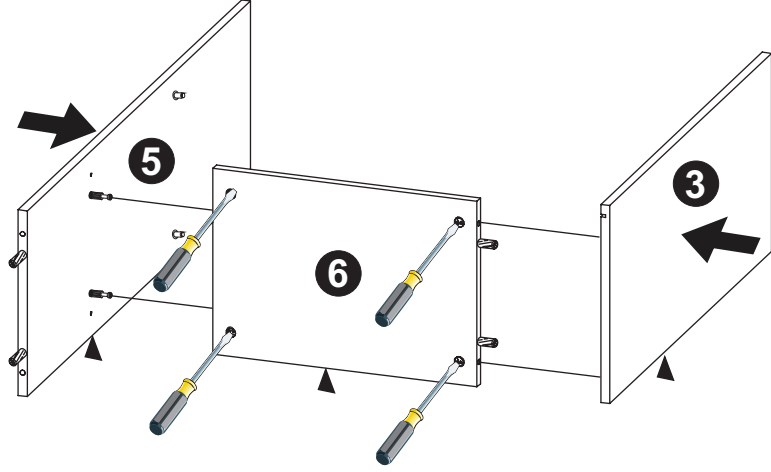
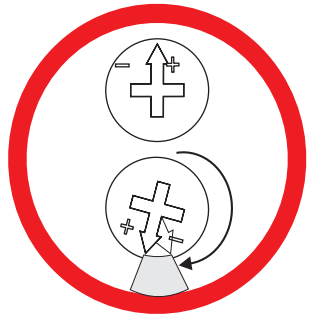
- 1:2
5x kr0
W1
HINGE
- 10x 3.5x13mm
M.
SCREW
- 2x L-64
O
HANDLE
- 4x 4x30mm
F2
SCREW



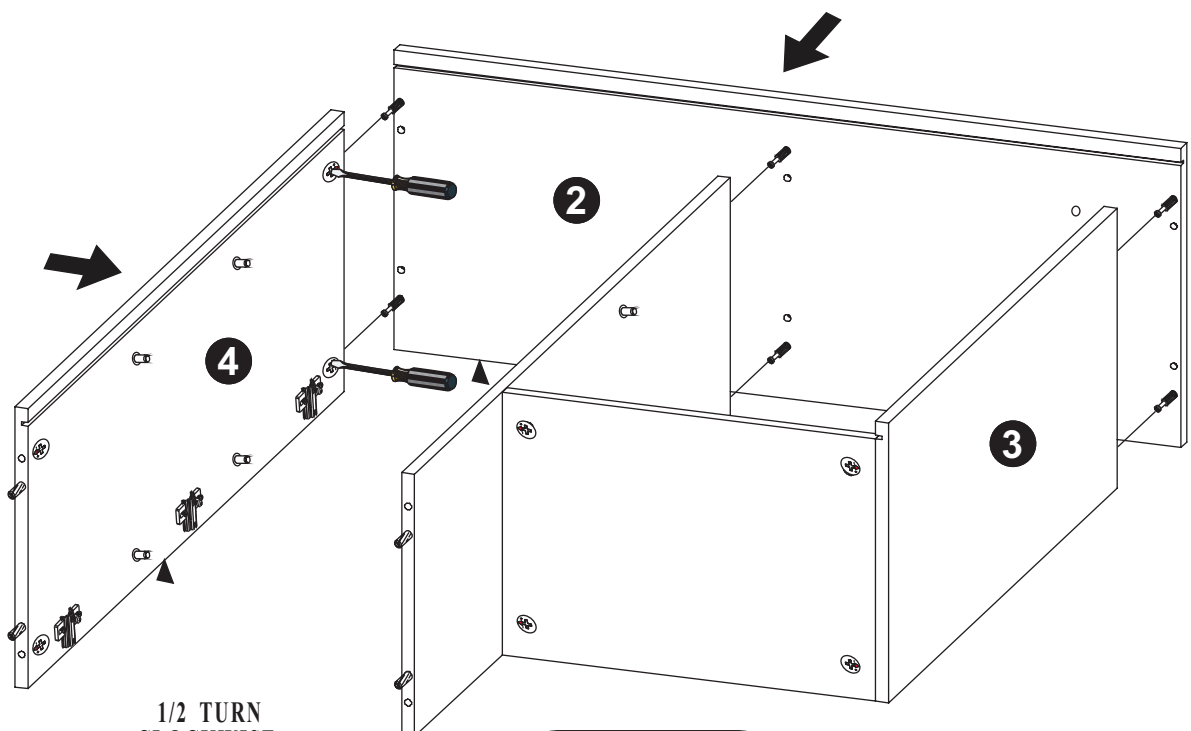
STEP 7



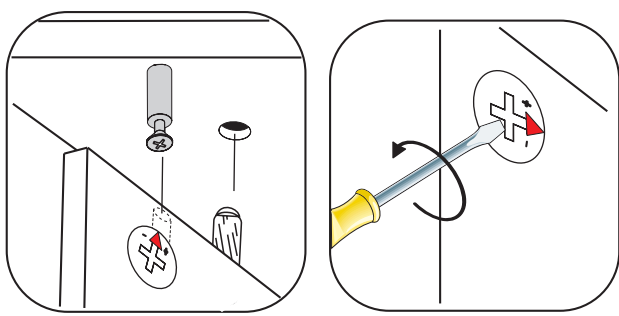
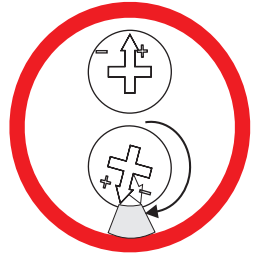
1/2 TURN
CLOCKWISE.



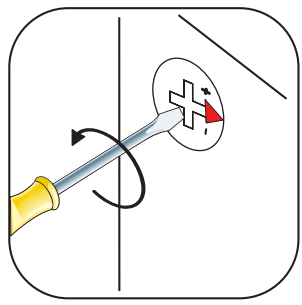
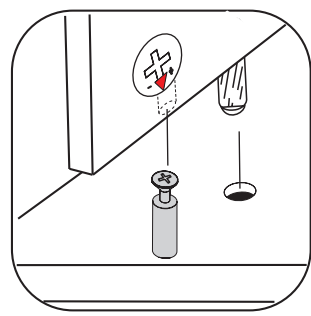
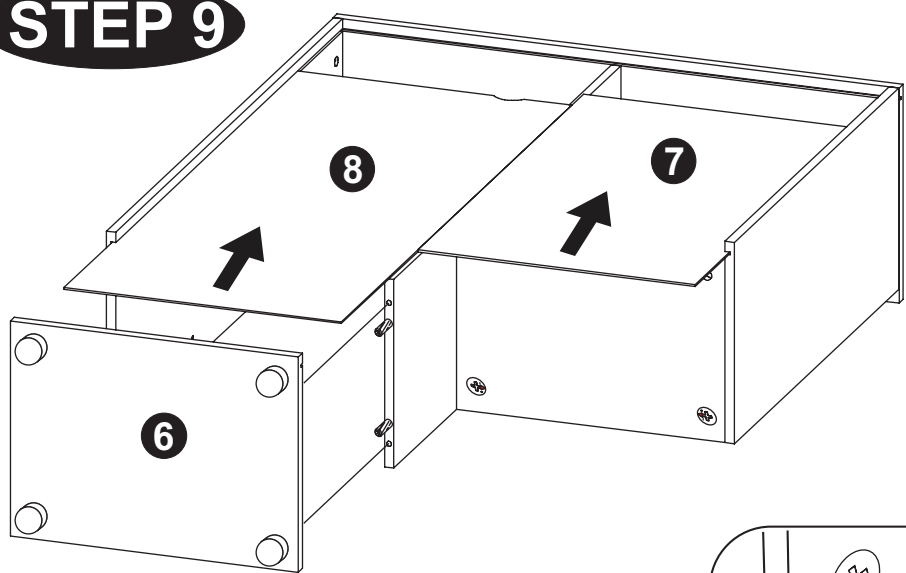
STEP 8



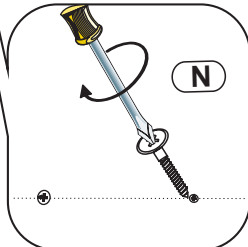
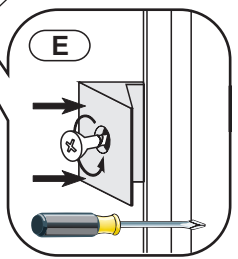
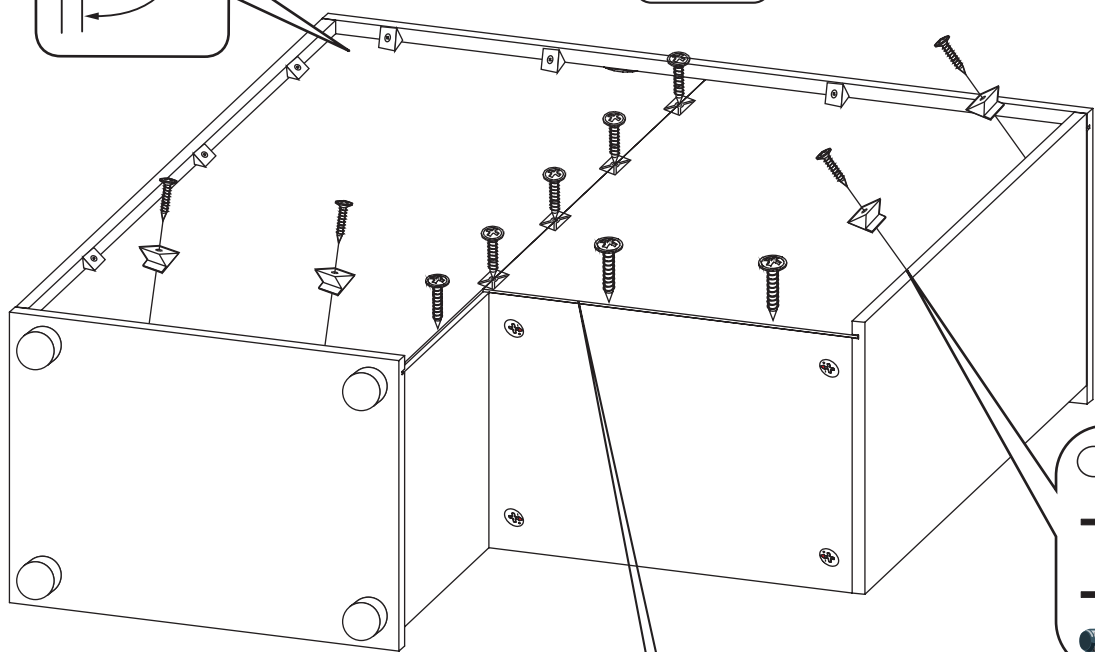
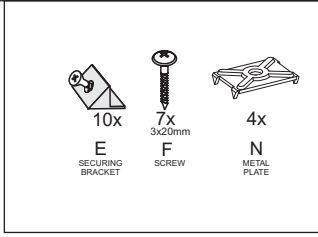
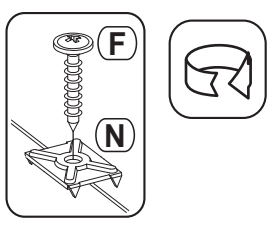
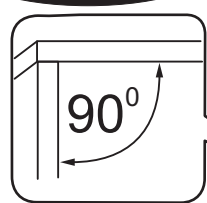
1/2 TURN
CLOCKWISE.



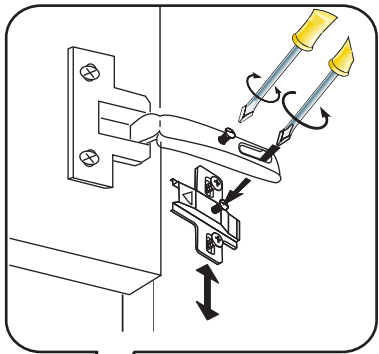
STEP 9



STEP 10

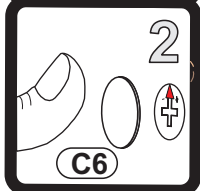
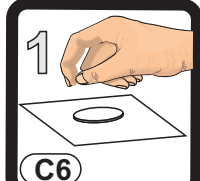
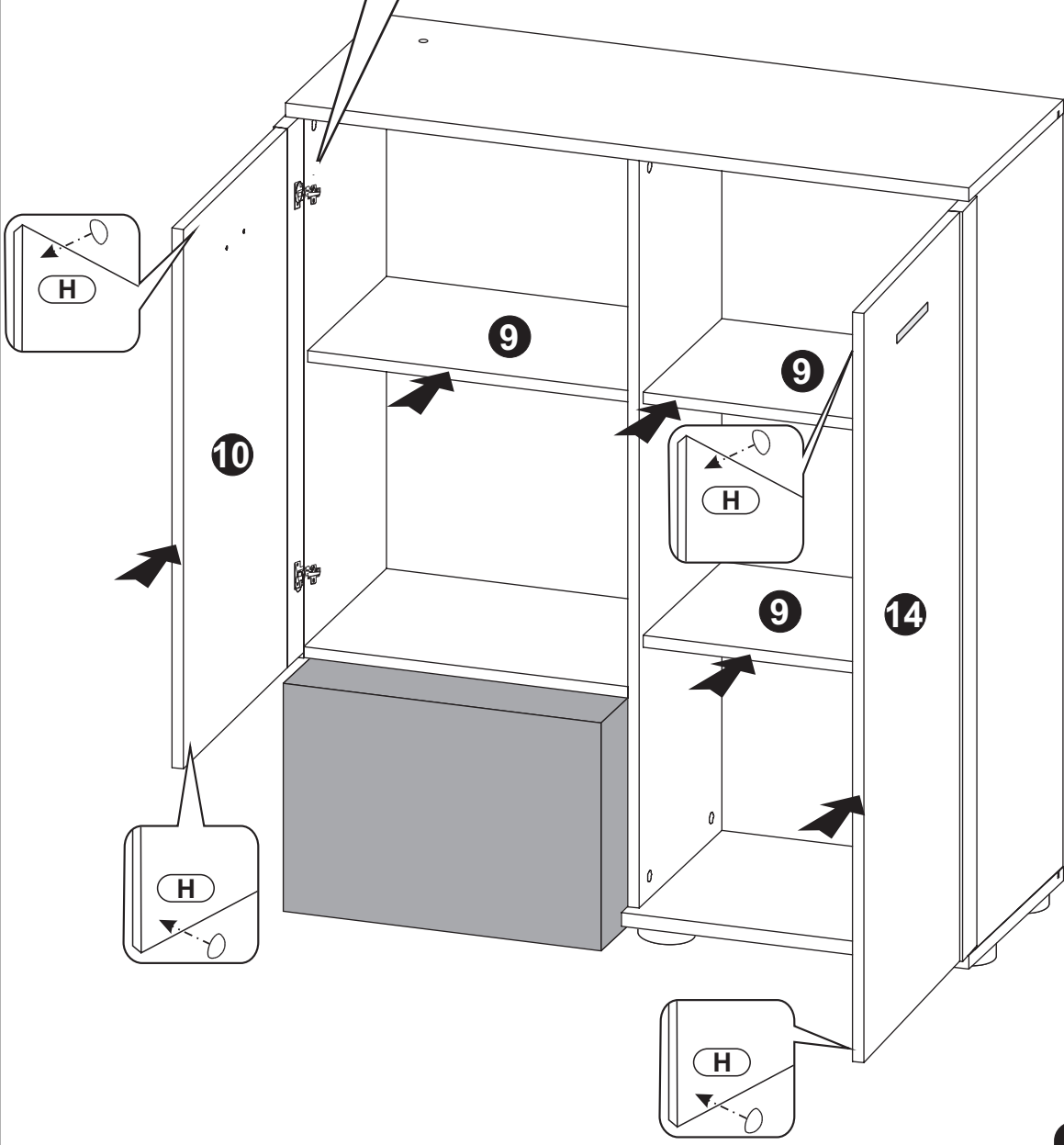


STEP 11

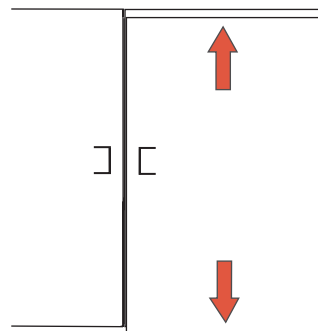
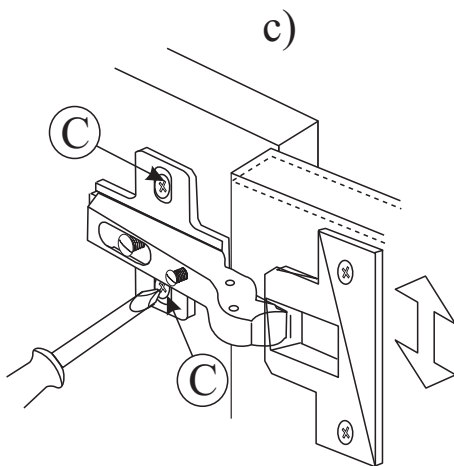
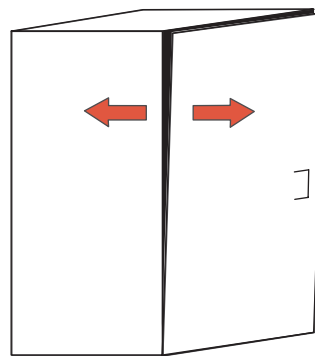
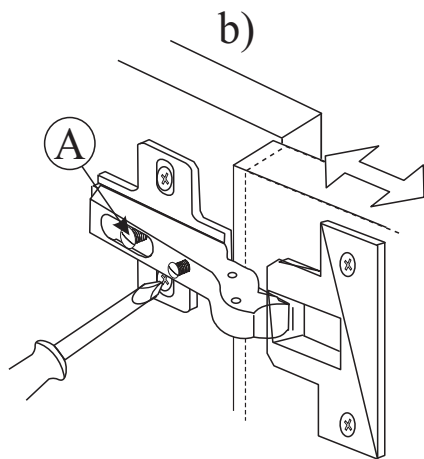
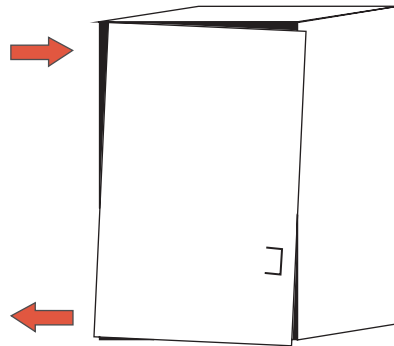
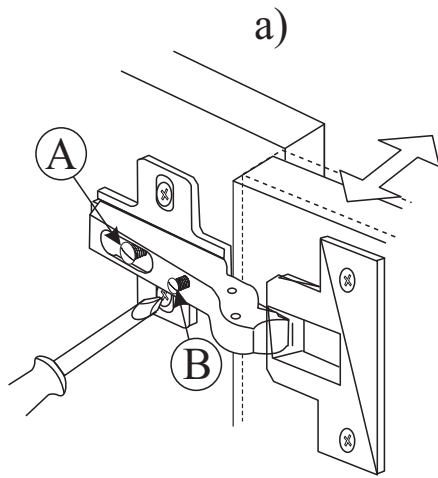


10x
D
CAM COVER

4x
H
PEG



STEP 12



STEP 13

