

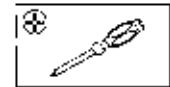
ASSEMBLY INSTRUCTION FOR 5-3788-MSR-LVL-82"

Note:

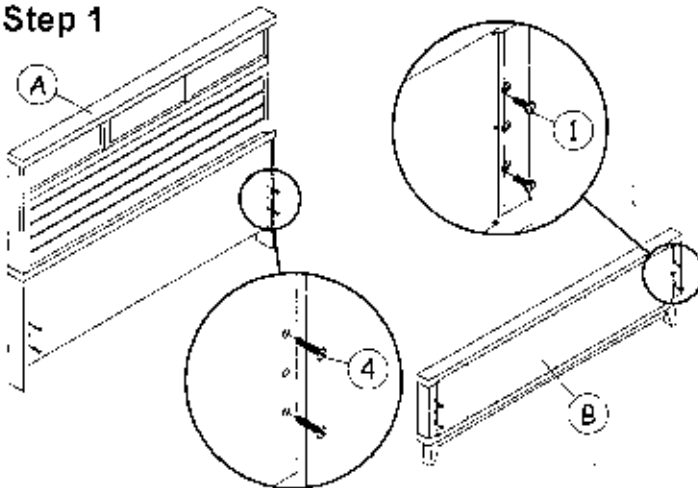
- Read instructions carefully
- Carefully identify each component, especially those that are similar
- Separate and verify each component from the hardware pack, and test each one in its proper location before fastening.
- Do not over-tighten the screws or bolts when assembling.



TOOL REQUIRED



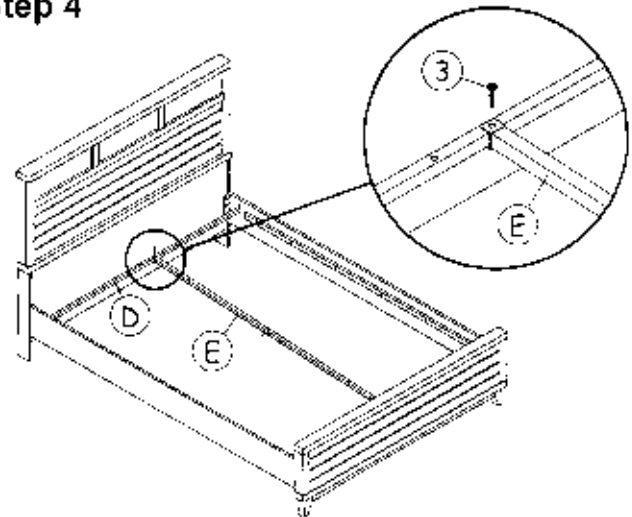
Step 1



Fix bolt '1' & '4' into position on wood post at headboard & footboard as shown.

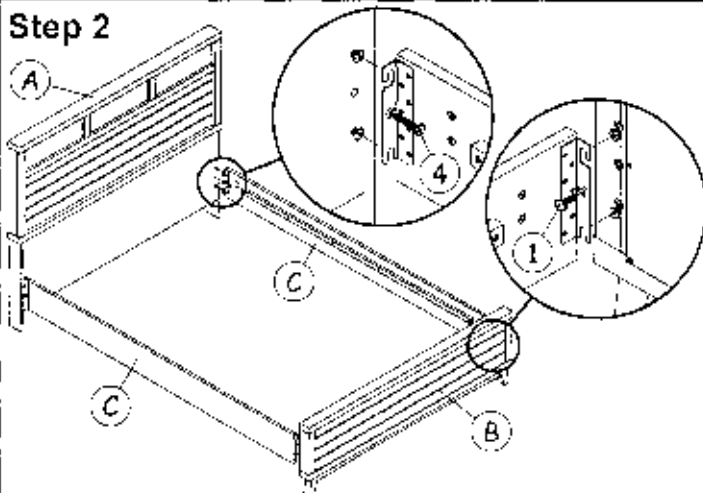
Important note : Do not tighten the bolts yet!

Step 4



Fix center bar 'E' to the cross bar 'D' with bolt '3' as shown.

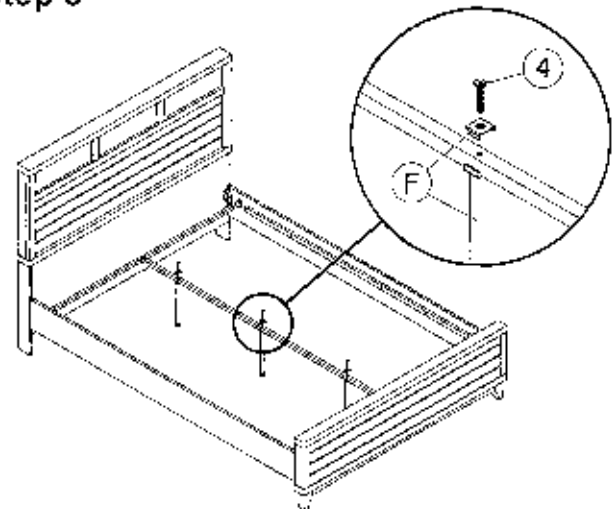
Step 2



Hook the side rail to the bolt and fix center bolts '1' & '4' as shown.

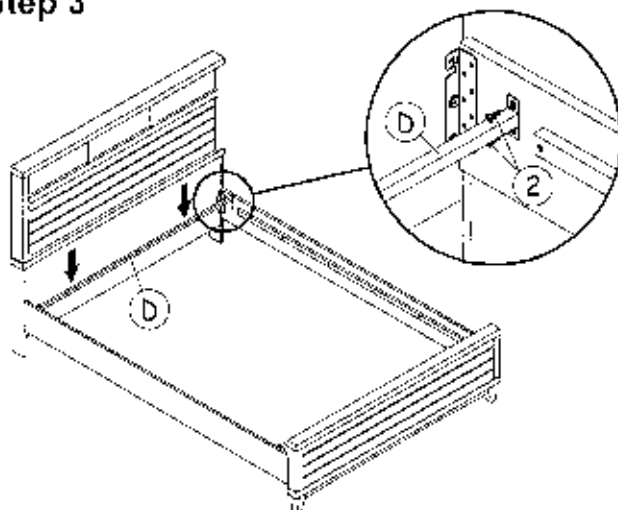
Important note : Do not tighten the bolts yet!

Step 5



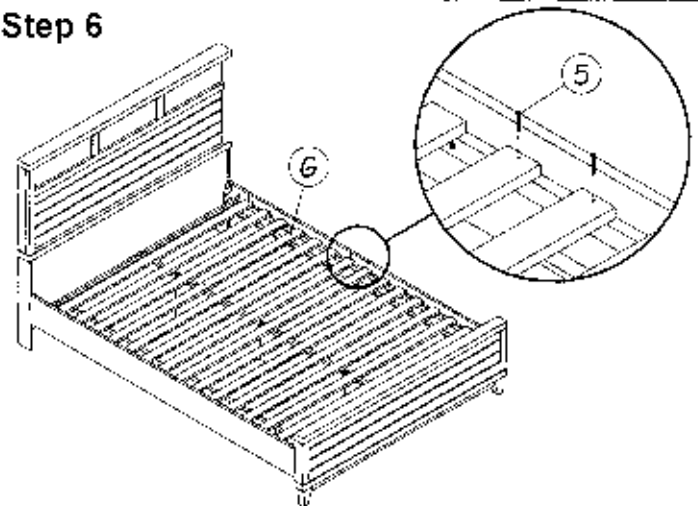
Fix bed support legs as shown and tighten all bolts.

Step 3



Fix cross bar 'D' to the side rail with bolts '2' as shown.



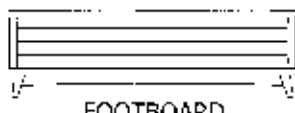

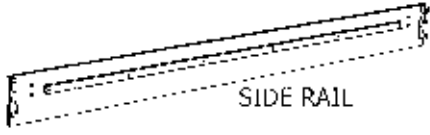

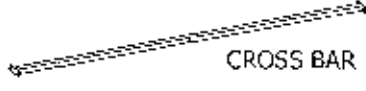

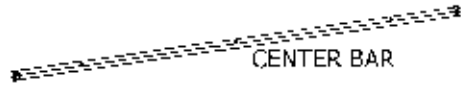

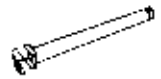

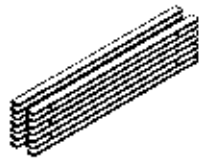

Step 6



Put wood slats to the side rail support and fix screws '5' at hole as shown.

Please follow our assembly instruction procedure for easier assemble.

PARTS & HARDWARE LIST FOR 5-3788-MSR-LVL-82"

NO.	PART	QTY.	NO.	HARDWARE	QTY.
A	 HEADBOARD	1 UNIT	1	 JCBC BOLT M8 x 25mm	6 PCS
B	 FOOTBOARD	1 UNIT	2	 JCBC BOLT M6 x 15mm	8 PCS
C	 SIDE RAIL	2 PCS	3	 JCBC BOLT M6 x 30mm	2 PCS
D	 CROSS BAR	2 PCS	4	 JCBC BOLT M8 x 40mm (3 PCS ASSEMBLED)	9 PCS
E	 CENTER BAR	1 PC	5	 CSK C/B SCREW #4 x 30mm	8 PCS
F	 SUPPORT LEG	3 PCS	6	 ALLEN KEY - M6	1 PC
G	 WOOD SLAT (7PCS / SET)	2 SETS	7	 ALLEN KEY - M8	1 PC