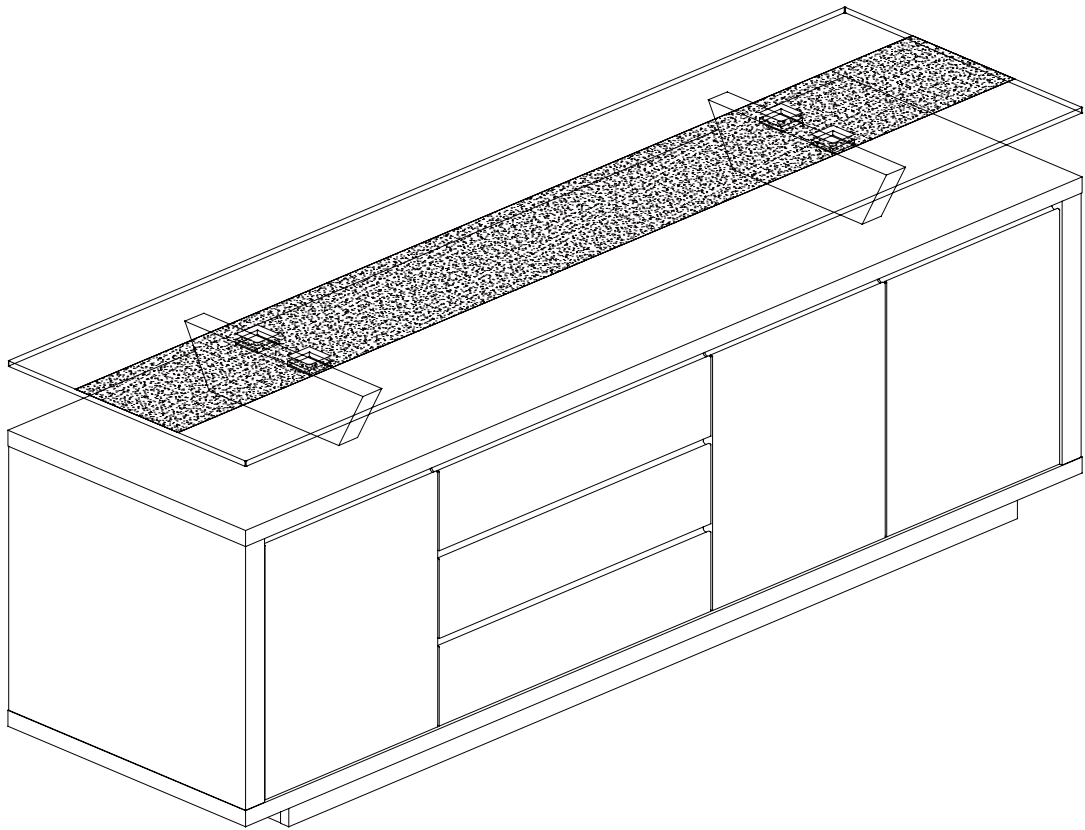




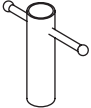


BETA BUFFET ASSEMBLY INSTRUCTIONS



TOOLS REQUIRED

60

<p>A Threaded Wires M8x162</p>  <p>x 4</p>	<p>B Wood Dowels ø8x30</p>  <p>x 4</p>	<p>C Washers ø22</p>  <p>x 4</p>	<p>D Bolts M8</p>  <p>x 4</p>	<p>E Spanner</p>  <p>x 1</p>
---	--	--	---	--

STOP!

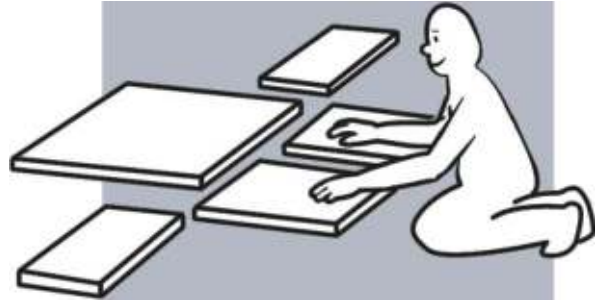
Before you start...

1



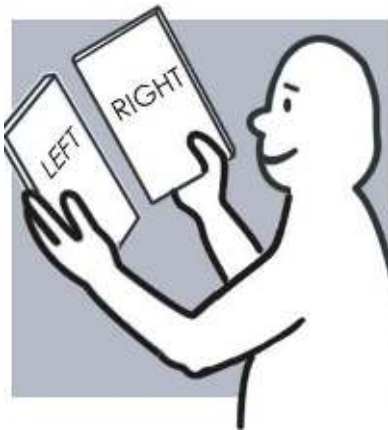
Read Instructions carefully.

2



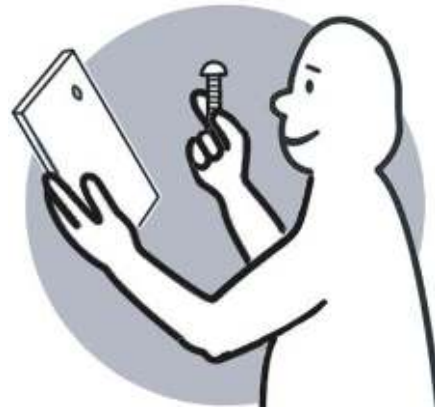
Lay out all of the components on a soft surface as if you were preparing to do a jigsaw puzzle.

3



Carefully identify each component, especially those that are similar. The most common mistake is getting things back to front.

4



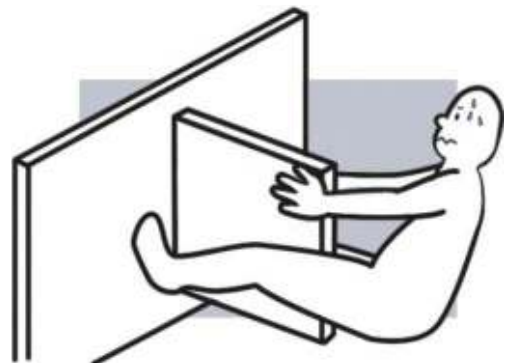
Separate and identify each component from the hardware pack— and rest each one in its proper location before fastening.

5



DO NOT Over-tighten screws

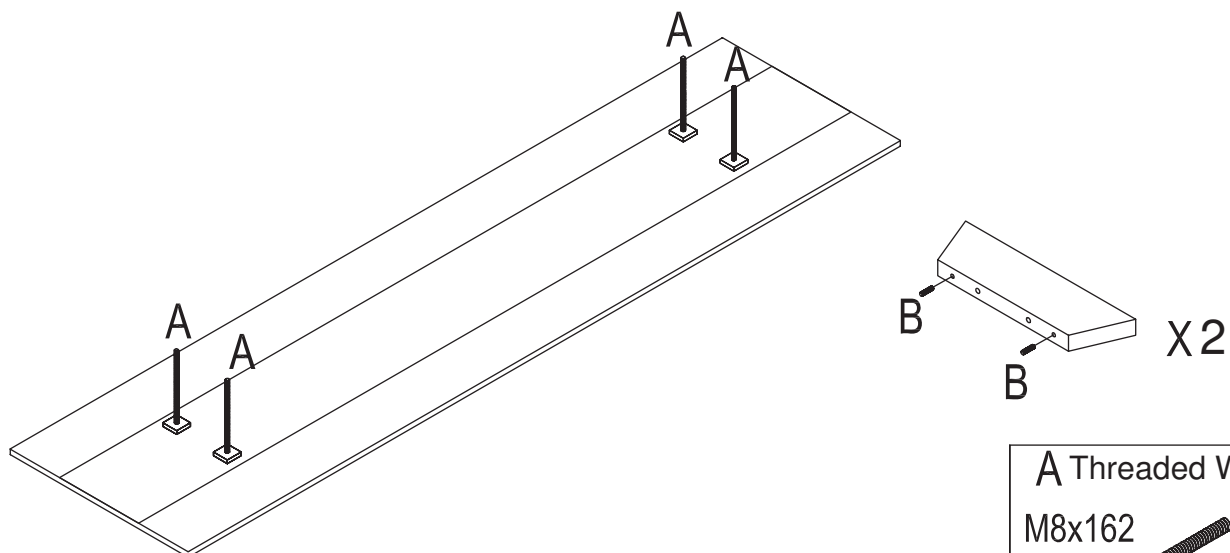
6



DO NOT set glue until you are certain that the parts belong together.

Step 1

Upside down the Glass Top and screw the threaded wires on the Alumi.Dies.
Attach the Wood Dowels to the Glass Supporting Boards.



A Threaded Wires

M8x162



x 4

B Wood Dowels

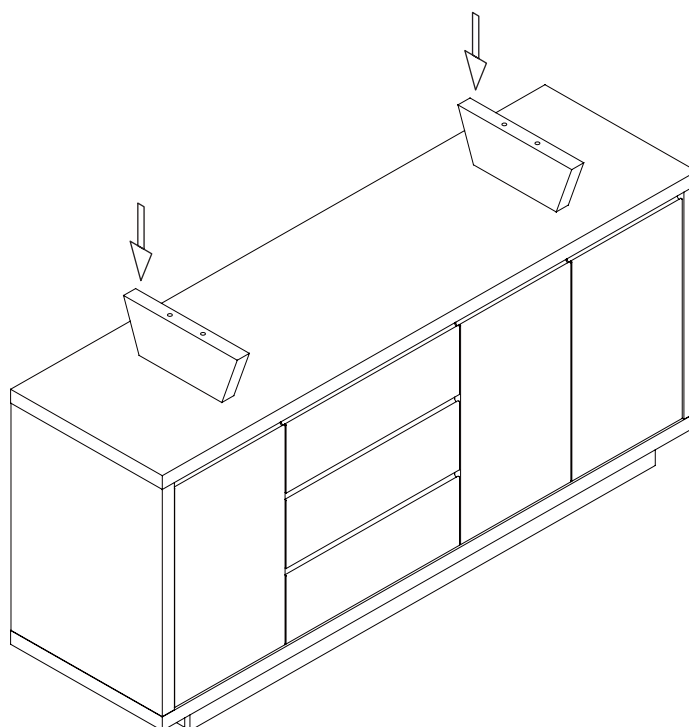
ø8x30



x 4

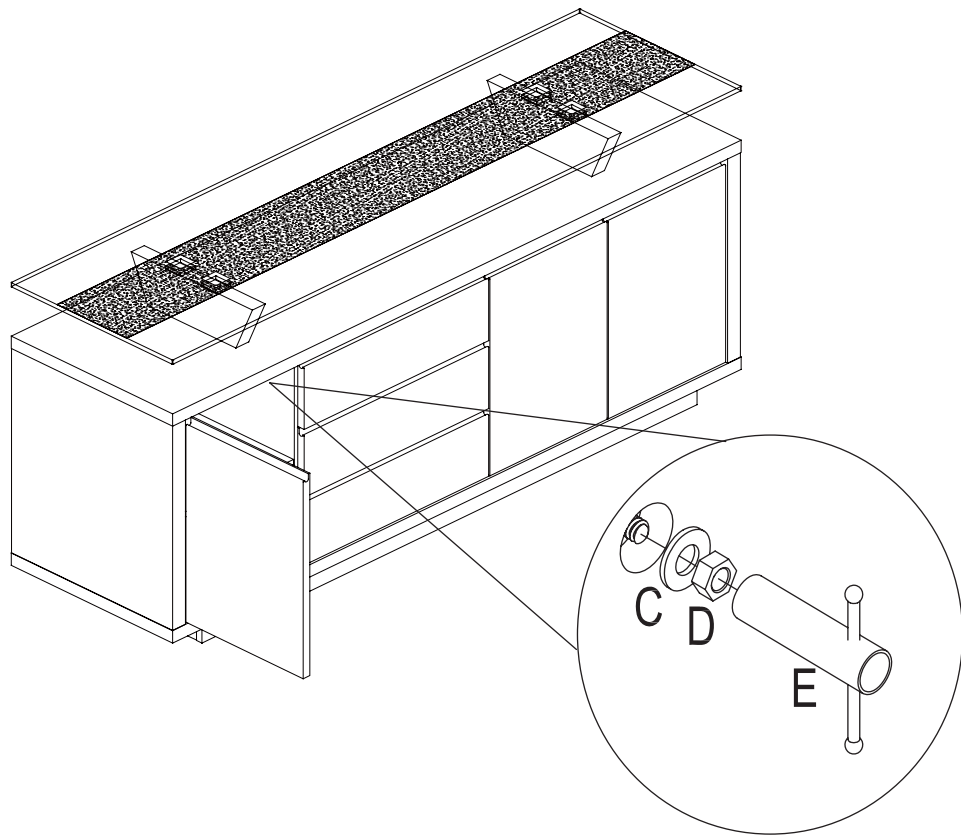
Step 2



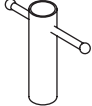
Attach the Glass Supporting Boards to the Main Body.



Step 3

Assemble the Glass Top and the Main Body with Nuts and Washers.



C		ø22 x 4
D		Bolts M8 x 4
E		Spanner x 1

Step 4

UNIT COMPLETE

