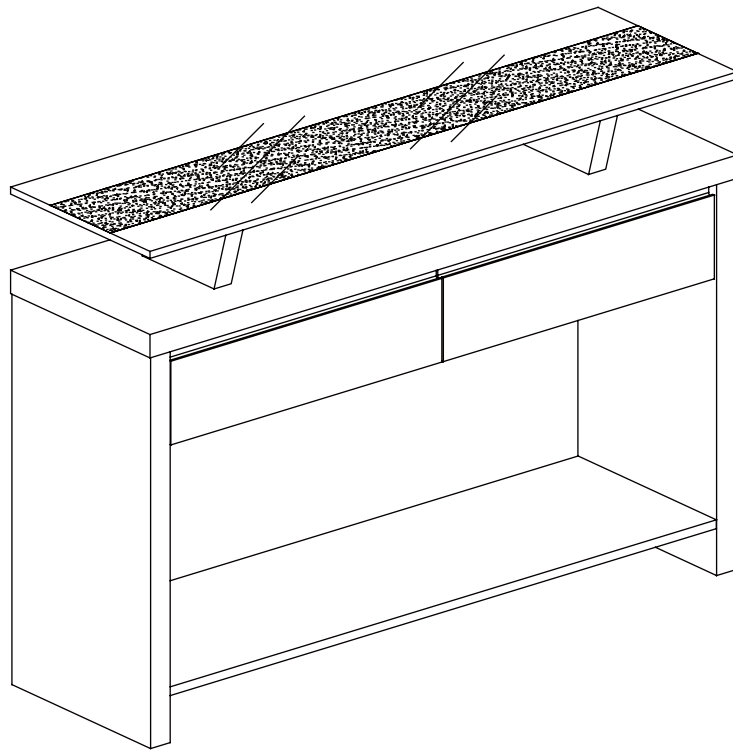

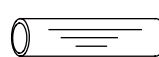



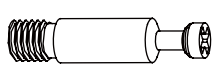




## BETA SOFA TABLE ASSEMBLY INSTRUCTIONS



60

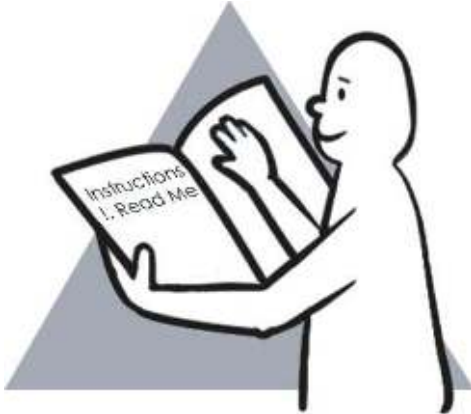
### TOOLS REQUIRED

<b>A</b> Short Threaded Wire Bolt M8x162  X 4	<b>B</b> Wood Dowels ø8x30  X 16	<b>C</b> Washers ø22  X 8	<b>D</b> Nuts M8  X 8	<b>E</b> Spanner  X 1
<b>F</b> Cam Bolts  X 7	<b>G</b> Cam Nuts  X 7	<b>H</b> Long Threaded Wire Bolt M8x685  X 4		

# STOP!

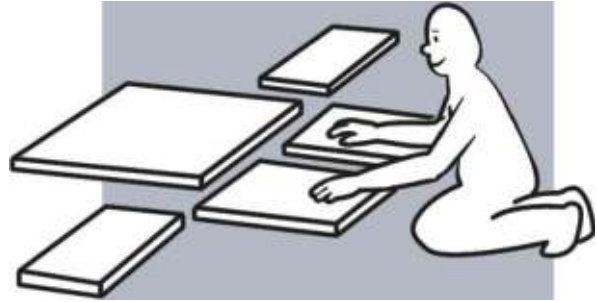
Before you start...

1



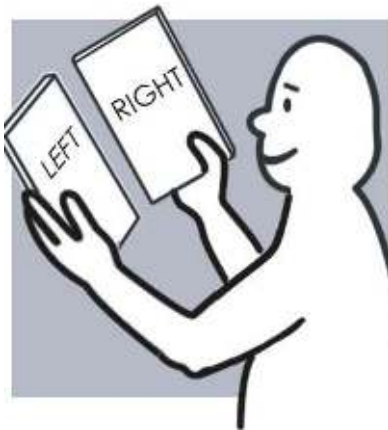
Read Instructions carefully.

2



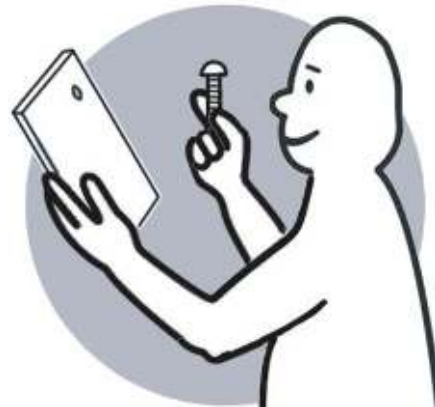
Lay out all of the components on a soft surface as if you were preparing to do a jigsaw puzzle.

3



Carefully identify each component, especially those that are similar. The most common mistake is getting things back to front.

4



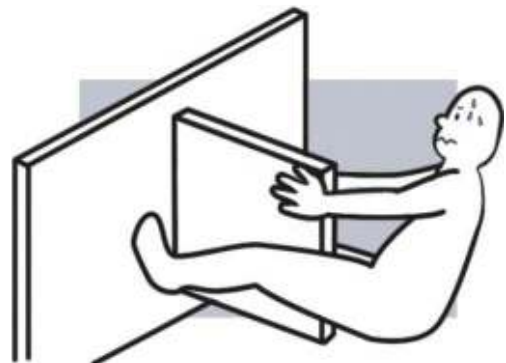
Separate and identify each component from the hardware pack— and rest each one in its proper location before fastening.

5



**DO NOT** Over-tighten screws

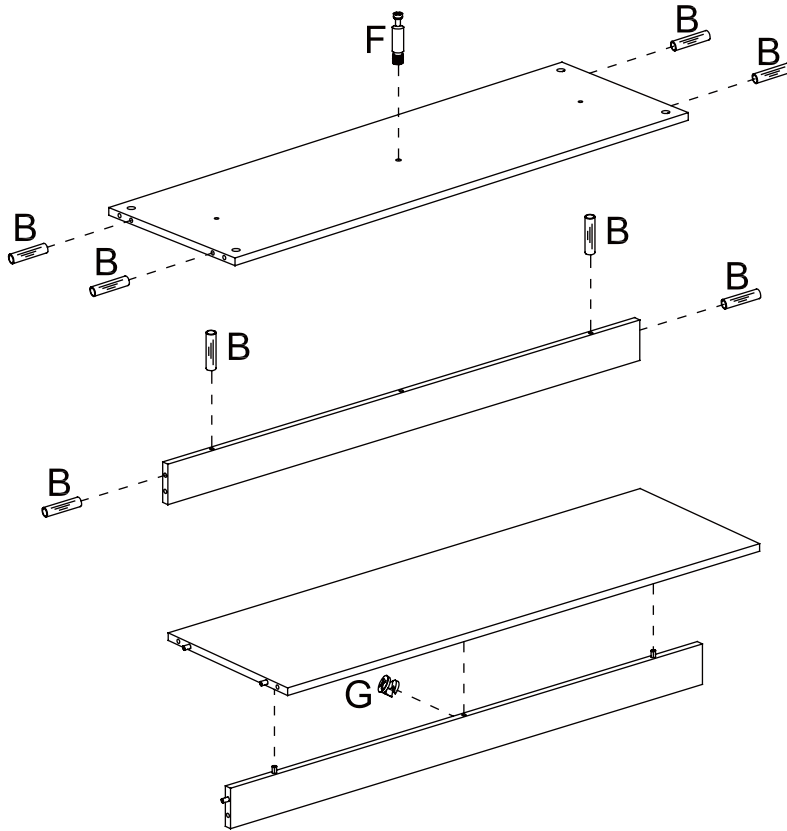
6



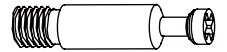
**DO NOT** set glue until you are certain that the parts belong together.

### Step 1

Attach the Wood Dowels(B) and Cam Bolt(F) & Cam Nut(G) with the boards.



**F** Cam Bolts



X 1

**G** Cam Nuts



X 1

**B** Wood Dowels

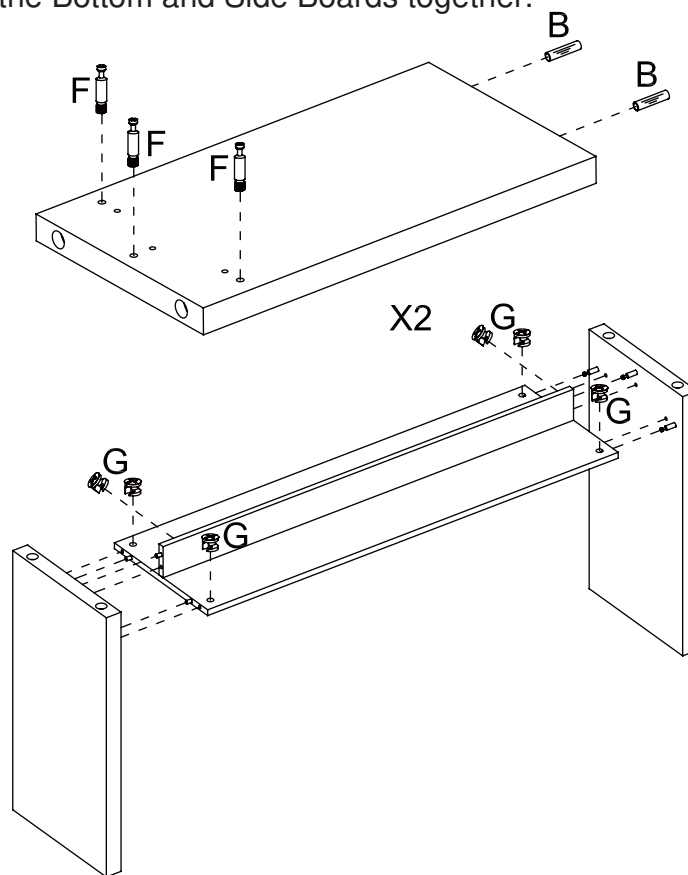


ø8x30

X 8

### Step 2

Attach the Wood Dowels(B) and Cam Bolt(F) & Cam Nut(G) with the Side Boards.  
Assemble the Bottom and Side Boards together.



**F** Cam Bolts



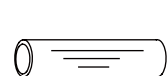
X 6

**G** Cam Nuts



X 6

**B** Wood Dowels

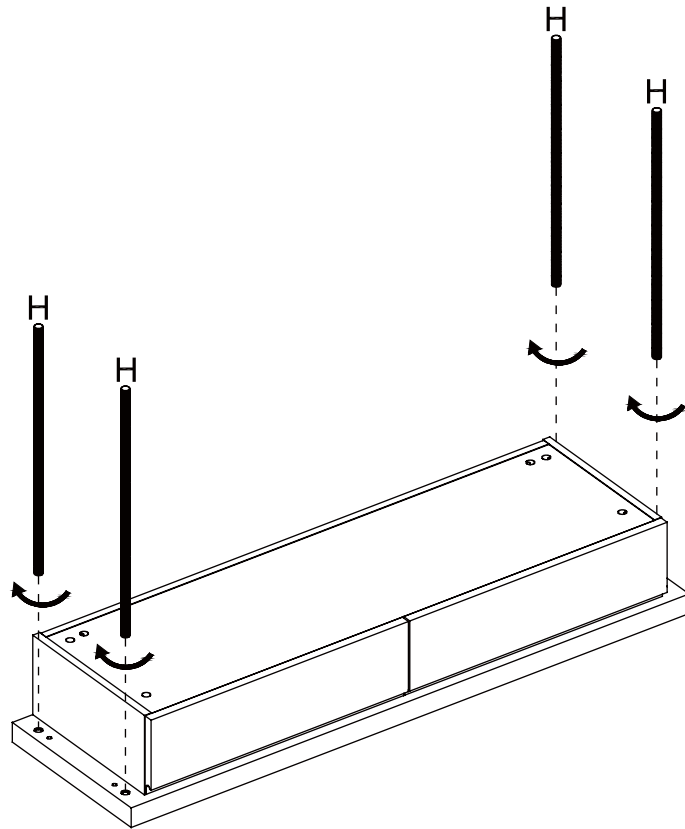



ø8x30

X 4

### Step 3

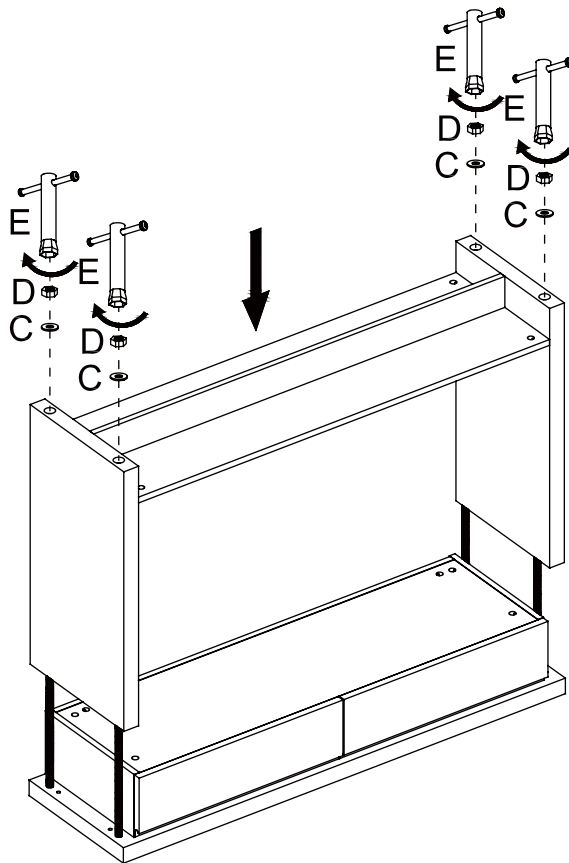
Upside down the Table Top and screw the Long Threaded Wires Bolt(H) with the main body.

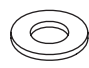

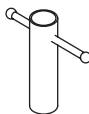


**H** Long Threaded  
Wire Bolt  
M8x685  
  
X 4

### Step 4

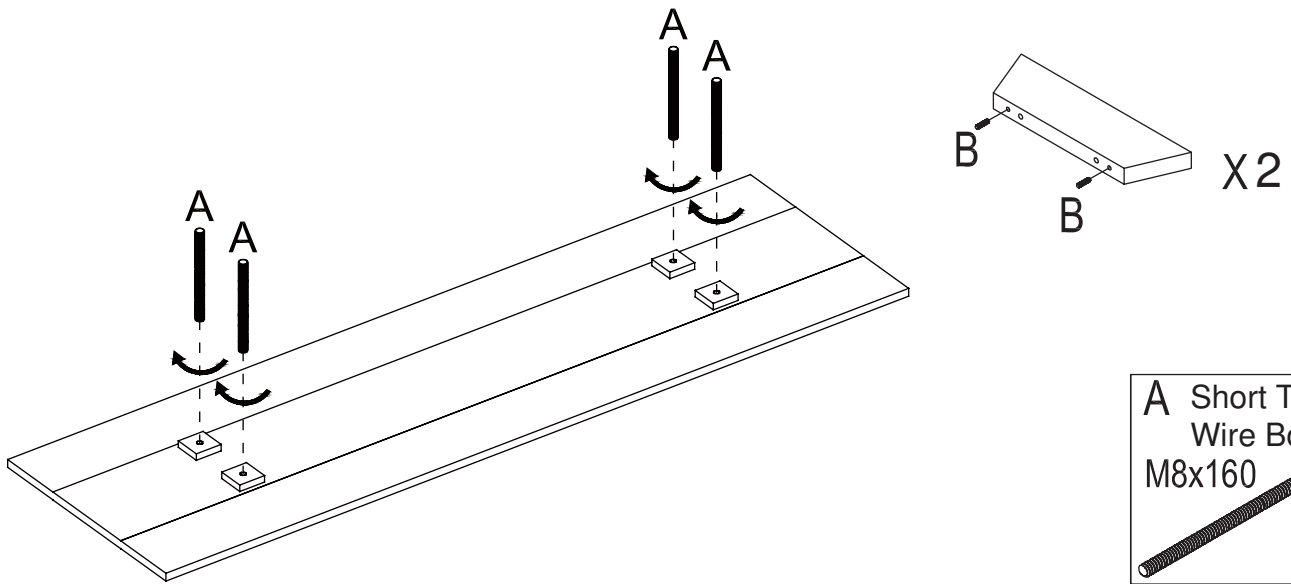
Assemble the side boards & the Main Body with Washers(C), Nuts(D) and Spanners (E).



<b>C</b>	Washers
	ø22
	X 4
<b>D</b>	Nuts
	M8
	X 4
<b>E</b>	Spanner
	
	X 1

### Step 5

Upside down the Glass Top and screw the Short threaded wires Bolt (A) on the Alumi.Dies. Attach the Wood Dowels (B) to the Glass Supporting Boards.



A Short Threaded  
Wire Bolt  
M8x160

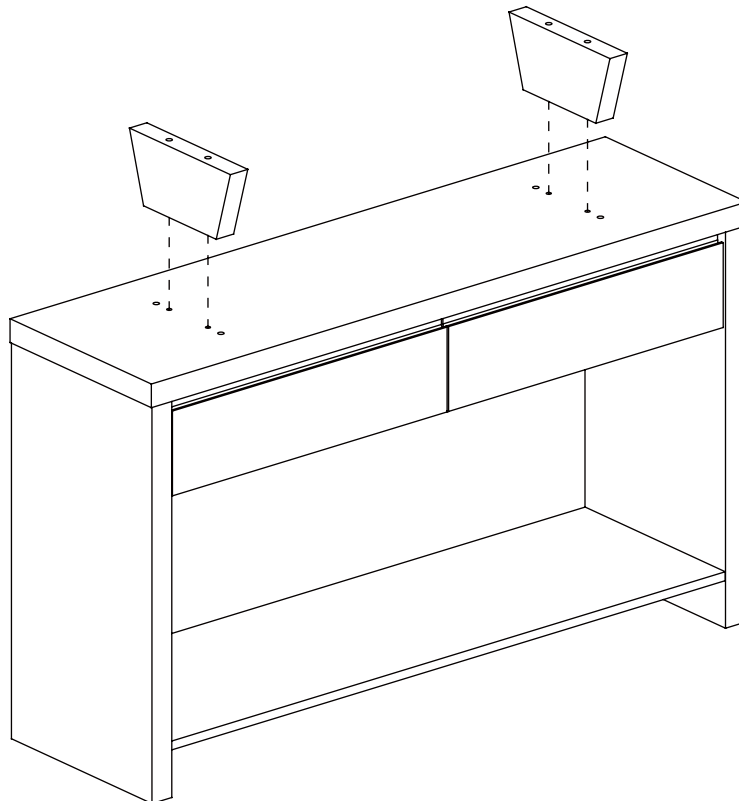
x 4

B Wood Dowels  
ø8x30

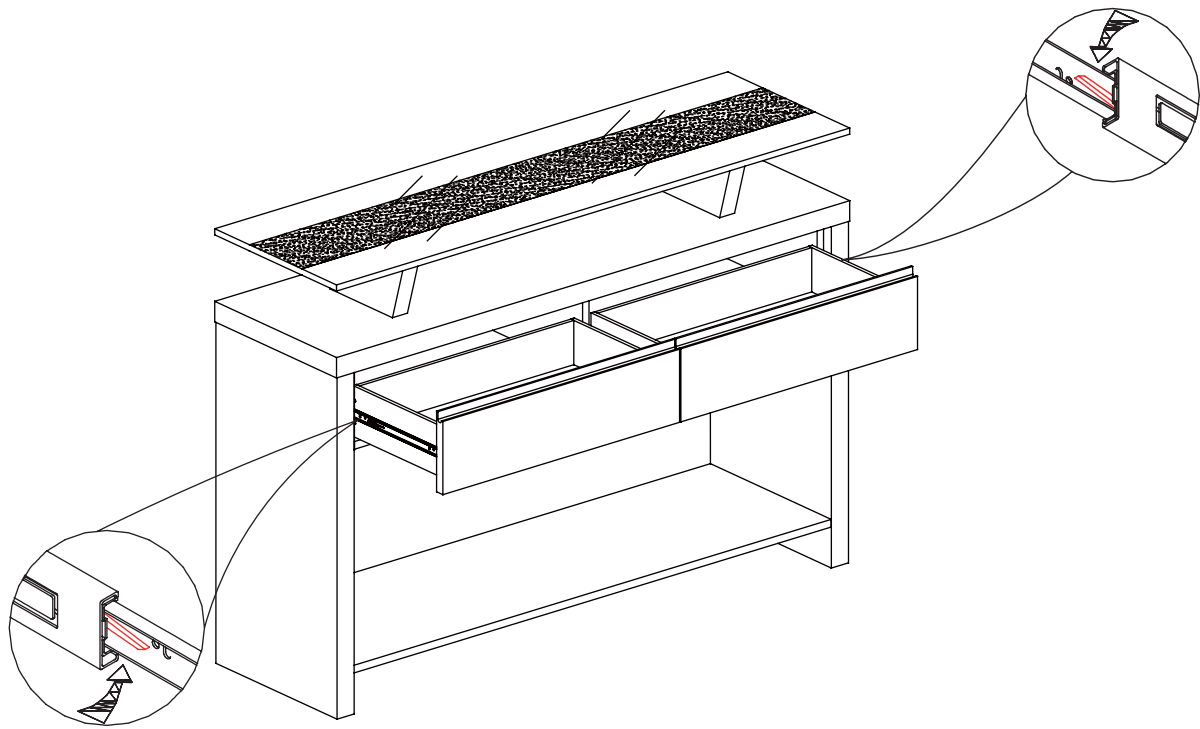
x 4

### Step 6

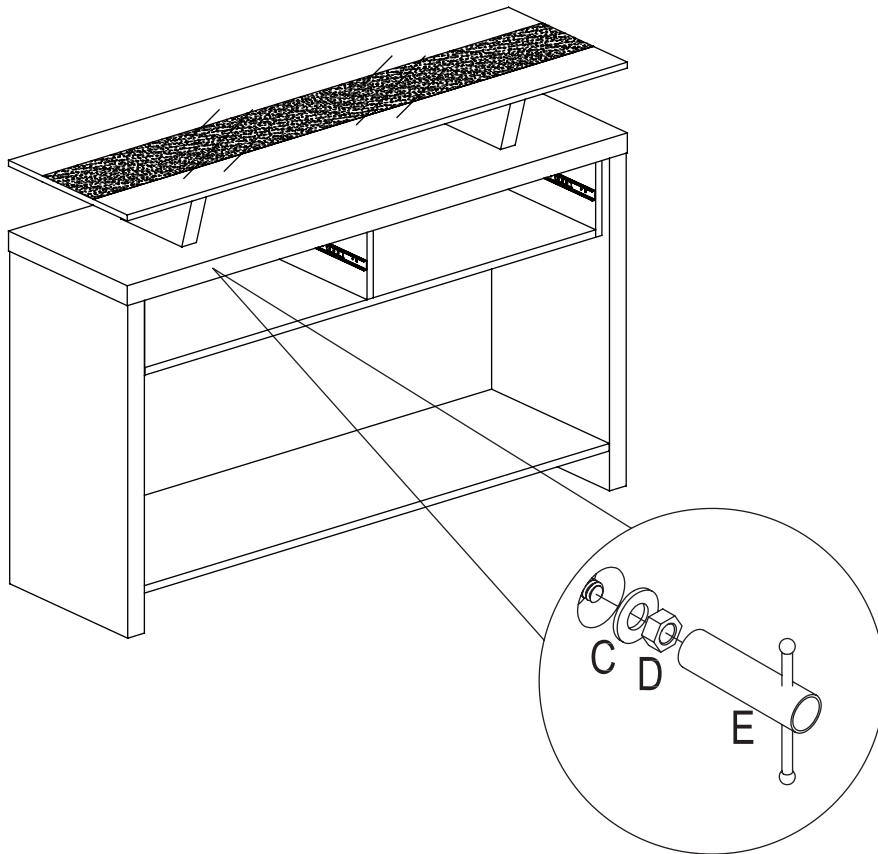
Attach the Glass Supporting Boards to the Main Body.



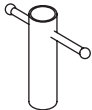


**Step 7** Pull out the Drawers.  
And Attach the Glass Top and the Main Body.

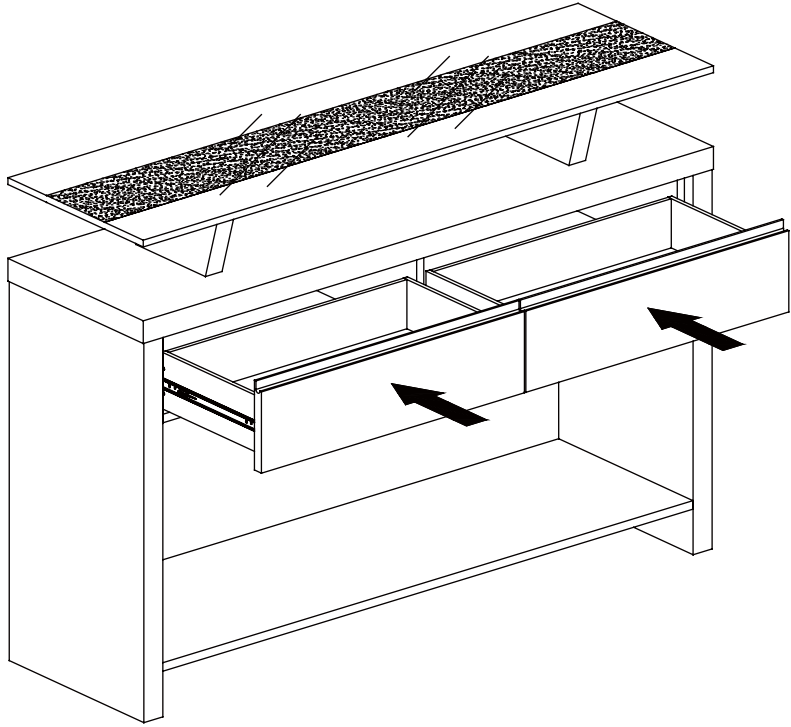


**Step 8** Assemble the Glass Top and the Main Body with Washers(C), Nuts(D) and Spanners (E) and the Drawers.



<b>C</b>	Washers
	 $\varnothing 22$
	X 4
<b>D</b>	Nuts
	 M8
	X 4
<b>E</b>	Spanner
	 X 1

Step 9



Step 10

UNIT COMPLETE

